

Product Brief

Advance Information **SH-POTS Chipset** **MC1420233 CODSP** **MC1430132 SHLIC**

The MS140132KT chipset provides all the functions necessary to connect analog telephone sets or other analog terminals (telefax, answering machines, modems, etc.) into digital communication systems. It provides an economical solution for the traditional BORS(C)HT [Battery, Overvoltage, Ringing, Supervision, (Codec), Hybrid, Test] functions found in central-office exchanges, but is optimized for short-range communication [e.g., up to 500 m with four RENs (Ringer Equivalence Number) attached]. Virtually all system-dependent parameters can be set under software control, giving a unprecedented flexibility to the system integrator, as well as optimizing the system cost. The digital interface to the SH-POTS (Short Haul, Plain Old Telephone System) chipset uses the easily programmable PCM/SPI interface. The system architecture has been designed to offer the most cost-effective solution for short haul systems, yet offers the full flexibility required to meet worldwide analog telephony standards. The MS140132KT chipset is also suitable for Q.552 applications.

The MS140132KT chipset comprises three devices (see the Block Diagram): a pair of high-voltage devices, the Short Haul Line Interface Circuit (SHLIC) which provides the signal and power interface to the analog lines (one per line) and a low-voltage CMOS, DSP-based dual codec/control device (CODSP) which provides all signal processing and control functions for up to two lines.

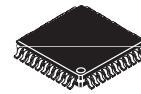
Key Features

- Digitally Programmed Transmission and Signalling Characteristics Meet Worldwide Specification Requirements
- Integrated Ringing: Sine or Trapezoid
- Metering Injection
- Battery Reversal
- Tone Generators for Signalling and Testing
- Minimal External Components
- Codec and SLIC Functions for Two Lines
- Low-Cost POTS Interface for Short Range
- PCM/SPI Interface

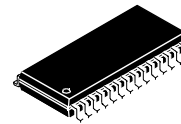
Applications

- Advanced ISDN NT (NTplus)
- Analog/Digital PABX
- Cable Telephone Systems (Set-Top Box)
- Remote Telephone Access Systems
 - Fiber to the Curb
 - Radio in the Loop
- Internet Telephones

MS140132KT



FU SUFFIX
TQFP PACKAGE
CASE 824



DW SUFFIX
SOIC PACKAGE
CASE 751F

ORDERING INFORMATION

MS140132KT (which includes):

MC1420233	44-Pin TQFP Package
MC1430132	28-Pin SOIC Package

PIN ASSIGNMENTS

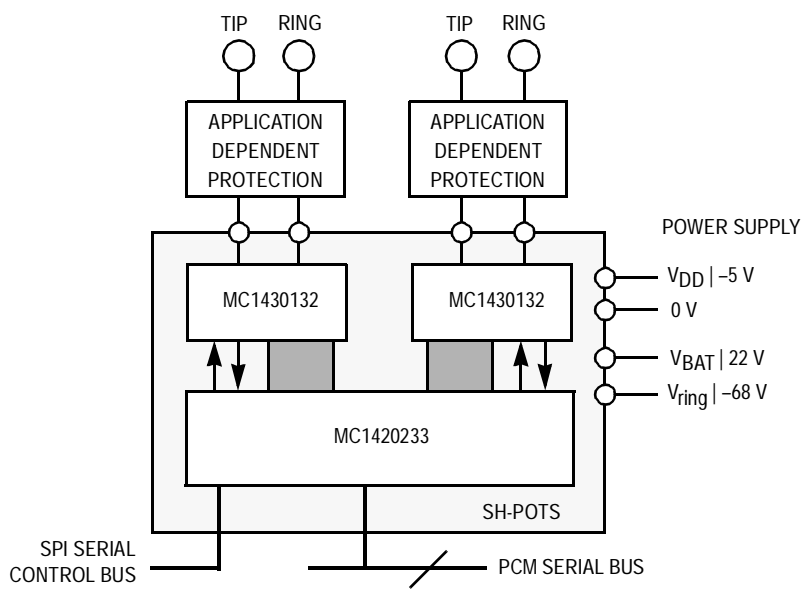
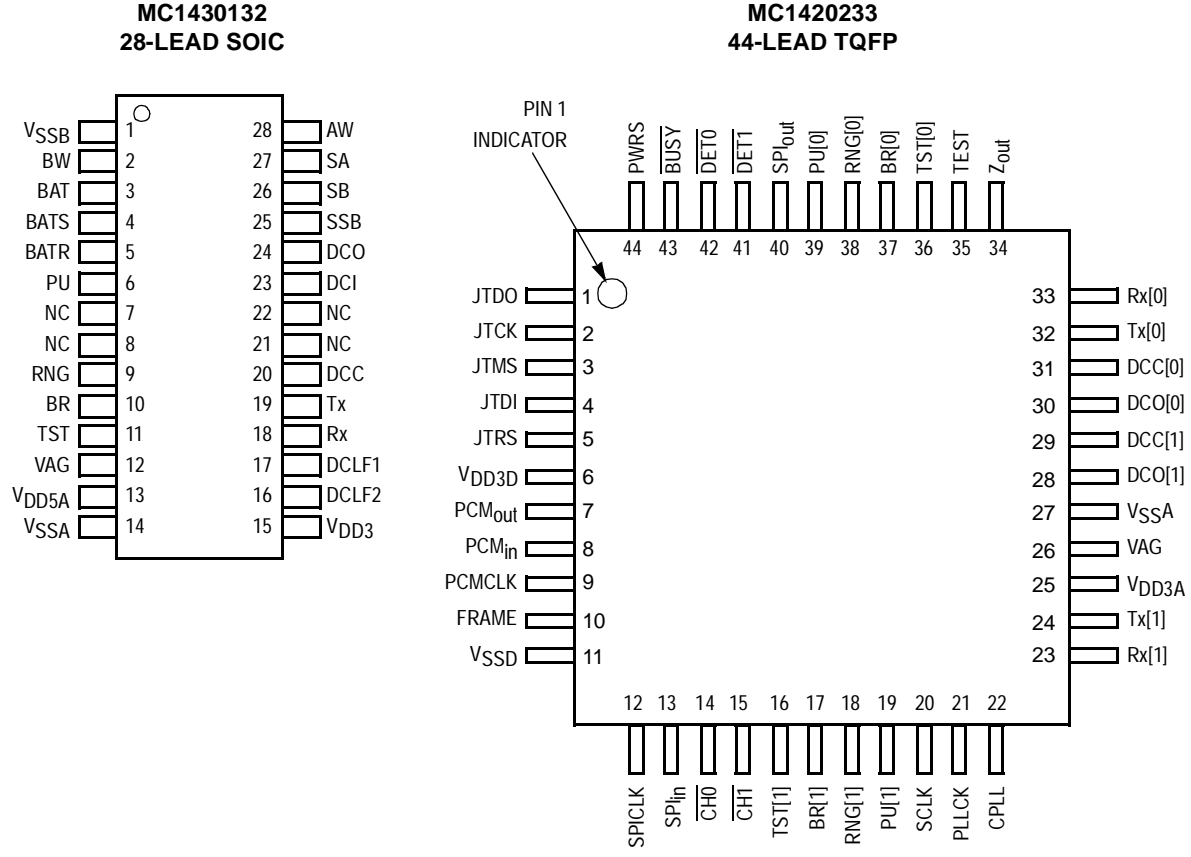


Figure 1. Block Diagram

OPERATING CONDITIONS

Operating ranges define the limits for functional operation and parametric characteristics of the device.

OPERATING CONDITIONS (All Voltages Referenced to $V_{SSA} = V_{SSB}$ or $V_{SS} = V_{SSA}$, as Appropriate)

Symbol	Parameter	Limits			Unit
		Min	Typ	Max	
BATR	Ringing Battery Voltage	-72	-65	- 18	V
BATS	Speech Battery Voltage	-35	-32	- 18	V
DBAT	Difference Between the Batteries BATR and BATS, BATR-BATS	-40	-35	0	V
V_{DD5A}	Supply Voltage SHLIC	4.75	5	5.5	V
T_{range}	Operating Temperature Range	-40	—	85	°C
V_{DD3D} V_{DD3A}	V_{DD} of CODSP (3.3 V \pm 8%)	3.036	3.3	3.564	V

FUNCTIONAL CHARACTERISTICS OF THE SH-POTS SYSTEM

For reference, Figure 1 shows the typical voltages on wires during various stages of operation.

ON-HOOK CONDITIONS

When a line is not in use (on-hook), the designer may select either the speech battery or the ringing battery as the supply to the line drivers. In the on-hook state, most of the internal circuits are put into a low-power operating mode to minimize supply currents. The A and B wire outputs are effectively connected to the supply voltage, thus applying this voltage to the line. The output is current-limited in this mode, thus protecting against short circuits and limiting any inrush current when a line goes off-hook. If the SHLIC detects a current in excess of a (programmable) limit, the off-hook condition will be detected (an on-chip debouncer with selectable delay avoids accidental hookswitch detection), and the circuit will be put into active speech mode.

RINGING INJECTION

The SH-POTS chipset is capable of directly injecting a ringing signal of up to 50 V_{rms} (sine wave) without the need for additional external components. The technique of “balanced ringing” is used, which allows this large voltage swing to remain within the technology limits of the SHLIC device. The SH-POTS chipset allows the user to program a DC offset during ringing as well as a reduced amplitude ringing signal, should it be necessary. Ringing waveform, frequency, amplitude, and cadence, as well as ring-trip thresholds, are controlled by the CODSP device and are all programmable. Ringing cadence can be automatic, with independently programmable ring and pause times, or ringing can be controlled directly via the PCM bus. In automatic cadence mode, ringing bursts on both channels can optionally be interleaved if simultaneously active, to avoid peaks in current from the ringing battery supply.


SOURCE IMPEDANCE (Z_{CO})

The central-office impedance, Z_{CO} , is synthesized using digital signal processing techniques. This renders it very stable, and, moreover, programmable by the user by means of coefficients which are loaded via the PCM. The Z_{CO} setting is common for both lines. Both real and complex Z_{CO} s can be programmed to address the local requirements of specifications world-wide, and cover the range.



... .40132KT

Digital DNA is a trademark of Motorola, Inc.

Motorola reserves the right to make changes without further notice to any products herein. Motorola makes no warranty, representation or guarantee regarding the suitability of its products for any particular purpose, nor does Motorola assume any liability arising out of the application or use of any product or circuit, and specifically disclaims any and all liability, including without limitation consequential or incidental damages. "Typical" parameters can and do vary in different applications and actual performance may vary over time. All operating parameters, including "Typicals", must be validated for each customer application by customer's technical experts. Motorola does not convey any license under its patent rights nor the rights of others. Motorola products are not designed, intended, or authorized for use as components in systems intended for surgical implant into the body, or other applications intended to support or sustain life, or for any other application in which the failure of the Motorola product could create a situation where personal injury or death may occur. Should Buyer purchase or use Motorola products for any such unintended or unauthorized application, Buyer shall indemnify and hold Motorola and its officers, employees, subsidiaries, affiliates, and distributors harmless against all claims, costs, damages, and expenses, and reasonable attorney fees arising out of, directly or indirectly, any claim of personal injury or death associated with such unintended or unauthorized use, even if such claim alleges that Motorola was negligent regarding the design or manufacture of the part. Motorola and  are registered trademarks of Motorola, Inc. Motorola, Inc. is an Equal Opportunity/Affirmative Action Employer.

How to reach us:

USA/EUROPE/Locations Not Listed: Motorola Literature Distribution: P.O. Box 5405, Denver, Colorado 80217.
1-303-675-2140 or 1-800-441-2447

JAPAN: Motorola Japan Ltd.; SPS, Technical Information Center, 3-20-1 Minami-Azabu. Minato-ku, Tokyo 106-8573 Japan.
81-3-3440-3569

ASIA/PACIFIC: Motorola Semiconductors H.K. Ltd.; Silicon Harbour Centre, 2 Dai King Street, Tai Po Industrial Estate, Tao Po, N.T., Hong Kong. 852-26668334

TECHNICAL INFORMATION CENTER: 1-800-521-6274

HOME PAGE: <http://motorola.com/semiconductors/>



MOTOROLA

MS140132KTPB/D