

ASM161, ASM162

μP Supervisory Circuit

Description

The ASM161 and ASM162 are cost effective, low power supervisory circuits that monitor power supplies in microprocessor, microcontroller and digital systems. If the power supply drops below the reset threshold level, a reset is asserted and remains asserted for at least 800 ms after V_{CC} has risen above the reset threshold. An improved manual reset architecture gives the system designer additional flexibility.

The debounced manual reset input is negative edge triggered. The reset pulse period generated by a MR transition is a minimum of 800 ms and a maximum of 2 sec duration. In addition, The \overline{MR} input signal is blocked for an additional 49 μS minimum after the reset pulse ends. During the \overline{MR} disable period, the microcontroller is guaranteed a time period free of additional manual reset signals. During this period DRAM contents can be refreshed or other critical system tasks undertaken. Low power consumption makes the ASM161/162 ideal for use in portable and battery operated equipments. With 3 V supplies, power consumption is 8 μW typically and 30 μW maximum. The ASM161 has an open-drain, active-LOW \overline{RESET} output and requires an external pull-up resistor. The ASM162 has an active HIGH RESET output.

The ASM161/162 are offered in compact 4-pin SOT-143 packages. No external components are required to trim threshold voltage for monitoring different supply voltages. With six different factory set, reset, threshold ranges from 2.63 V to 4.63 V, the ASM161/162 are suitable for monitoring 5 V, 3.6 V and 3.0 V supplies. The ASM161/162 are available in temperature ranges 0°C to 70°C and -40°C to +85°C.

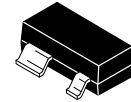
Features

- Edge Triggered Manual Reset Input
- Single Pulse Output
- 49 μS Minimum \overline{MR} Disable Period After Reset
- CMOS/TTL Logic or Switch Interface
- Debounced Input
- Low Supply Current Extends Battery Life
 - 6 μA / 15 μA typ/max at 5.5 V
 - 4.5 μA / 10 μA typ/max at 3.6 V
- Long Reset Period
- 0.8 Sec Minimum, 2 Sec Maximum
- Two Reset Polarity Options
 - ASM161: Active LOW, Open-drain
 - ASM162: Active HIGH
- Pinout Matches the ASM811/812
- Small 4-Pin SOT-143 Package
- Two Temperature Ranges: 0°C to 70°C and -40°C to +85°C



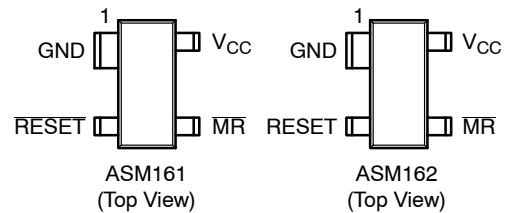
ON Semiconductor®

<http://onsemi.com>



SOT-143
4 LEAD
CASE 527AF

PIN CONFIGURATIONS



RESET is open drain

RESET THRESHOLD

Part Suffix	Voltage (V)
L	4.63
M	4.38
J	4.00
T	3.08
S	2.93
R	2.63

ORDERING INFORMATION

See detailed ordering and shipping information in the package dimensions section on page 6 of this data sheet.

Applications

- PDAs
- Appliances
- Computers and Embedded Controllers
- Wireless Communication Systems
- Battery Operated and Intelligent Instruments
- Automotive Systems
- Safety Systems

ASM161, ASM162

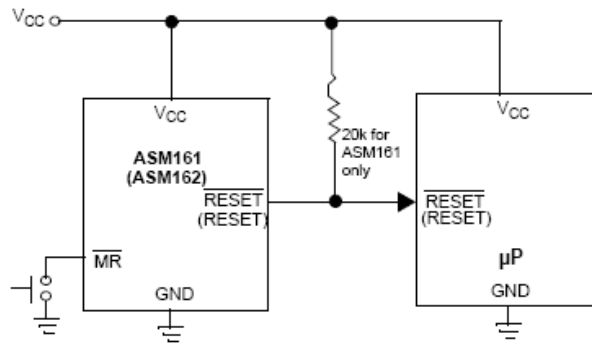


Figure 1. Typical Operating Circuit

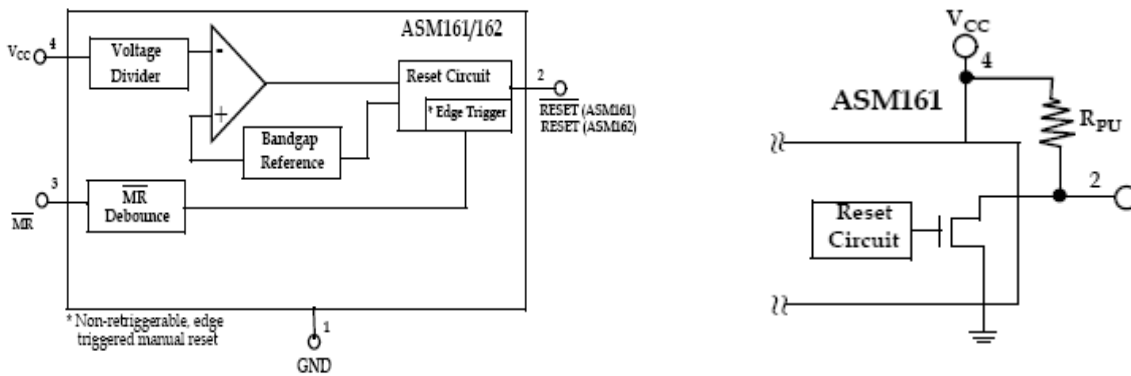


Figure 2. Block Diagram

Table 1. PIN DESCRIPTION

Pin #		Pin Name	Function
ASM161	ASM162		
1	1	GND	Ground.
2	-	RESET	Active-LOW, open-drain reset output. RESET remains LOW while V _{CC} is below the reset threshold and for 800 ms minimum after V _{CC} rises above the reset threshold. An external pull-up resistor is needed.
-	2	RESET	Active HIGH reset output. RESET remains HIGH while V _{CC} is below the reset threshold and for 800 ms after V _{CC} rises above the reset threshold.
3	3	MR	Manual reset input. A negative going edge transition on MR asserts reset. Reset remains asserted for one reset time-out period (800 ms min). This active-LOW input has an internal pull-up resistor. It can be driven from a TTL or CMOS logic line or shorted to ground with a switch. Leave open if unused.
4	4	V _{CC}	Power supply input voltage.

Detailed Description

The reset function ensures the microprocessor is properly reset and powers up into a known condition after a power failure.

Reset Timing

A reset is generated whenever the supply voltage is below the threshold level ($V_{CC} < V_{TH}$). The reset duration is at least 800 ms after V_{CC} has risen above the reset threshold and is guaranteed to be no more than 2 seconds. The rest

signal remains active as long as the monitored supply voltage is below the internal threshold voltage.

The ASM161 has an open-drain, active LOW RESET output (which is guaranteed to be in the correct state for V_{CC} down to 1.1 V). The ASM161 uses an external pull-up resistor. Output leakage current is under 1 μA. A high resistance value can be used to minimize current drain.

The ASM162 generates an active-HIGH RESET output.

ASM161, ASM162

Part Number	Reset Polarity
ASM161	LOW (use external pull-up resistor)
ASM162	HIGH

Manual Reset

The ASM161/162 have a unique manual reset circuit. A negative going edge transition on \overline{MR} initiates the reset. A manual reset generates a single reset pulse of fixed length. The output–reset pulse remains asserted for the Reset Active Time–Out Period t_{RP} and then clears. Once the reset pulse is completed, the \overline{MR} input remains disabled for at least

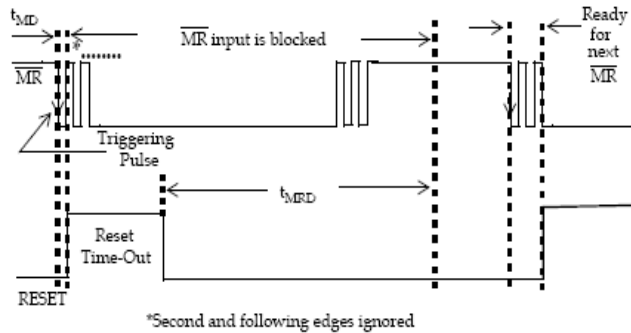


Figure 3. Manual Reset Timing

Application Information

Glitch Resistance

The ASM161/162 are relatively immune to short duration negative–going V_{CC} transients/glitches. A V_{CC} transient that goes 100 mV below the reset threshold and lasts 20s or less will not typically cause a reset pulse.

Table 2. ABSOLUTE MAXIMUM RATINGS

Parameter	Min	Max	Unit
Pin Terminal Voltage with Respect to Ground			
V_{CC}	-0.3	6.0	V
RESET, \overline{RESET} and \overline{MR}	-0.3	$V_{CC} + 0.3$	V
Input Current at V_{CC} and \overline{MR}		20	mA
Rate of Rise at V_{CC}		100	V/ μ s
Power Dissipation ($T_A = 70^\circ\text{C}$)		320	mW
Operating Temperature Range	-40	85	$^\circ\text{C}$
Storage Temperature Range	-65	160	$^\circ\text{C}$
Lead Temperature (soldering, 10 sec)		300	$^\circ\text{C}$
ESD rating			
HBM		2	KV
MM		200	V

Stresses exceeding Maximum Ratings may damage the device. Maximum Ratings are stress ratings only. Functional operation above the Recommended Operating Conditions is not implied. Extended exposure to stresses above the Recommended Operating Conditions may affect device reliability.

49 μ s but not more than 122 μ s. This period is specified as t_{MRD} .

During the \overline{MR} disabled period, the microcontroller is guaranteed a time period free of new manual reset signals. This period can be used to refresh critical DRAM contents or other system tasks.

The \overline{MR} pin must be taken HIGH and LOW again after the t_{MRD} period has been completed to initiate another reset pulse.

The manual reset input has an internal 20 k Ω pull–up resistor. \overline{MR} can be left open if not used.

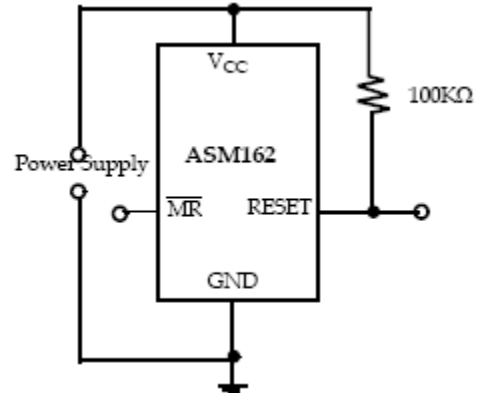


Figure 4. RESET Valid with V_{CC} under 1.1 V

Valid Reset with V_{CC} under 1.1 V

To ensure that logic inputs connected to the ASM162 RESET pin are in a known state when V_{CC} is under 1.1 V, a 100 k Ω pull–down resistor at RESET is needed. The value is not critical.

This scheme does not work with the open–drain outputs of ASM161.

ASM161, ASM162

Table 3. ELECTRICAL CHARACTERISTICS

(Unless otherwise noted, V_{CC} is over the full range and $T_A = 0^\circ\text{C}$ to 70°C for ASM161/162 X C and $T_A = -40^\circ\text{C}$ to $+85^\circ\text{C}$ for ASM161/162 X E devices. Typical values at $T_A = 25^\circ\text{C}$, $V_{CC} = 5\text{ V}$ for L/M/J devices, $V_{CC} = 3.3\text{ V}$ for T/S devices and $V_{CC} = 3\text{ V}$ for R devices.)

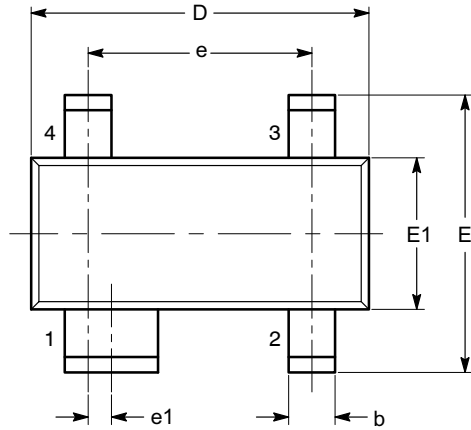
Parameter	Symbol	Conditions		Min	Typ	Max	Unit
Input Voltage (V_{CC}) Range	V_{CC}	$T_A = 0^\circ\text{C}$ to 70°C		1.1		5.5	V
Supply Current (Unloaded)	I_{CC}	$T_A = 0^\circ\text{C}$ to 70°C , $T_A = -40^\circ\text{C}$ to $+85^\circ\text{C}$	$V_{CC} < 5.5\text{ V L/M/J}$		6	15	μA
		$T_A = 0^\circ\text{C}$ to 70°C , $T_A = -40^\circ\text{C}$ to $+85^\circ\text{C}$	$V_{CC} < 3.6\text{ V R/S/T}$		4.5	10	
Reset Threshold	V_{TH}	L Devices	$T_A = 25^\circ\text{C}$ (Note 1)	4.56 4.50	4.63	4.70 4.75	V
		M devices	$T_A = 25^\circ\text{C}$ (Note 1)	4.31 4.25	4.38	4.45 4.50	
		J devices	$T_A = 25^\circ\text{C}$ (Note 1)	3.93 3.89	4.00	4.06 4.10	
		T devices	$T_A = 25^\circ\text{C}$ (Note 1)	3.04 3.00	3.08	3.11 3.15	
		S devices	$T_A = 25^\circ\text{C}$ (Note 1)	2.89 2.85	2.93	2.96 3.00	
		R devices	$T_A = 25^\circ\text{C}$ (Note 1)	2.59 2.55	2.63	2.66 2.70	
Reset Threshold Temp Coefficient	T_{CVTH}				30		ppm/ $^\circ\text{C}$
V_{CC} to reset delay		$V_{CC} = V_{TH}$ to $(V_{TH} - 100\text{ mV})$			20		μS
Reset Pulse Width	t_{RPW}	$T_A = 0^\circ\text{C}$ to 70°C		800	1400	2000	ms
		$T_A = -40^\circ\text{C}$ to 85°C		600		2240	
$\overline{\text{MR}}$ Minimum Pulse Width	t_{MR}			10			μS
$\overline{\text{MR}}$ Glitch Immunity					100		ns
$\overline{\text{MR}}$ to RESET Propagation Delay					0.5		μS
$\overline{\text{MR}}$ Input Threshold	V_{IH}	$V_{CC} > V_{TH}(\text{MAX})$, L/M/J devices		2.3			V
	V_{IL}					0.8	V
	V_{IH}	$V_{CC} > V_{TH}(\text{MAX})$, R/S/T devices		$0.7V_{CC}$			V
	V_{IL}					$0.25V_{CC}$	V
$\overline{\text{MR}}$ Delay to $\overline{\text{MR}}$ Retrigger	t_{MRD}	$T_A = 0^\circ\text{C}$ to 70°C		48	85	122	μS
		$T_A = -40^\circ\text{C}$ to 85°C			85		
$\overline{\text{MR}}$ pull-up resistance				10	20	30	$\text{K}\Omega$
Low RESET output voltage (ASM161)	V_{OL}	$V_{CC} = V_{TH}\text{ min.}$, $I_{SINK} = 1.2\text{ mA}$, ASM161 R/S/T				0.3	V
		$V_{CC} = V_{TH}\text{ min.}$, $I_{SINK} = 3.2\text{ mA}$, ASM161 L/M/J				0.4	
		$V_{CC} > 1.1$, $I_{SINK} = 50\ \mu\text{A}$				0.3	
RESET Output Voltage (ASM162)	V_{OL}	$V_{CC} = V_{TH}\text{ max.}$, $I_{SINK} = 1.2\text{ mA}$, ASM162 R/S/T				0.3	V
		$V_{CC} = V_{TH}\text{ max.}$, $I_{SINK} = 3.2\text{ mA}$, ASM162 L/M/J				0.4	
HIGH RESET Output Voltage (ASM162)	V_{OH}	$1.8 < V_{CC} < V_{TH\text{min.}}$, $I_{SOURCE} = 150\ \mu\text{A}$		$0.8V_{CC}$			V

1. Over operating temperature range.

ASM161, ASM162

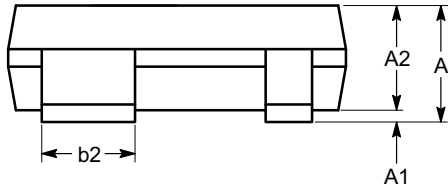
PACKAGE DIMENSIONS

SOT-143, 4 Lead
CASE 527AF-01
ISSUE A

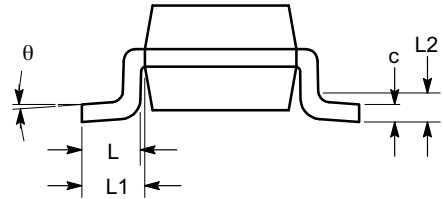


TOP VIEW

SYMBOL	MIN	NOM	MAX
A	0.80		1.22
A1	0.05		0.15
A2	0.75	0.90	1.07
b	0.30		0.50
b2	0.76		0.89
c	0.08		0.20
D	2.80	2.90	3.04
E	2.10		2.64
E1	1.20	1.30	1.40
e	1.92 BSC		
e1	0.20 BSC		
L	0.40	0.50	0.60
L1	0.54 REF		
L2		0.25	
θ	0°		8°



SIDE VIEW



END VIEW

Notes:

- (1) All dimensions are in millimeters. Angles in degrees.
- (2) Complies with JEDEC TO-253.

ASM161, ASM162

Table 4. ORDERING INFORMATION

Part Number (Note 2)	Reset Threshold (V)	Temperature (°C)	Pins–Package	Package Marking (LL Lot Code)
TIN LEAD DEVICES				
ASM161LCUS/T	4.63	0 TO 70	4–SOT–143	TALL
ASM161MCUS/T	4.38	0 TO 70	4–SOT–143	TBLL
ASM161JCUS/T	4.00	0 TO 70	4–SOT–143	TCLL
ASM161TCUS/T	3.08	0 TO 70	4–SOT–143	TDLL
ASM161SCUS/T	2.93	0 TO 70	4–SOT–143	TELL
ASM161RCUS/T	2.63	0 TO 70	4–SOT–143	TFLL
ASM162LCUS/T	4.63	0 TO 70	4–SOT–143	TGLL
ASM162MCUS/T	4.38	0 TO 70	4–SOT–143	THLL
ASM162JCUS/T	4.00	0 TO 70	4–SOT–143	TILL
ASM162TCUS/T	3.08	0 TO 70	4–SOT–143	TJLL
ASM162SCUS/T	2.93	0 TO 70	4–SOT–143	TKLL
ASM162RCUS/T	2.63	0 TO 70	4–SOT–143	TLLL
ASM161LEUS/T	4.63	–40 TO 85	4–SOT–143	TMLL
ASM161MEUS/T	4.38	–40 TO 85	4–SOT–143	TNLL
ASM161JEUS/T	4.00	–40 TO 85	4–SOT–143	TOLL
ASM161TEUS/T	3.08	–40 TO 85	4–SOT–143	TPLL
ASM161SEUS/T	2.93	–40 TO 85	4–SOT–143	TQLL
ASM161REUS/T	2.63	–40 TO 85	4–SOT–143	TRLL
ASM162LEUS/T	4.63	–40 TO 85	4–SOT–143	TSLL
ASM162MEUS/T	4.38	–40 TO 85	4–SOT–143	TTLL
ASM162JEUS/T	4.00	–40 TO 85	4–SOT–143	TULL
ASM162TEUS/T	3.08	–40 TO 85	4–SOT–143	TVLL
ASM162SEUS/T	2.93	–40 TO 85	4–SOT–143	TWLL
ASM162REUS/T	2.63	–40 TO 85	4–SOT–143	TXLL
LEAD FREE DEVICES				
ASM161LCUSF/T	4.63	0 TO 70	4–SOT–143	MALL
ASM161MCUSF/T	4.38	0 TO 70	4–SOT–143	MBLL
ASM161JCUSF/T	4.00	0 TO 70	4–SOT–143	MCLL
ASM161TCUSF/T	3.08	0 TO 70	4–SOT–143	MDLL
ASM161SCUSF/T	2.93	0 TO 70	4–SOT–143	MELL
ASM161RCUSF/T	2.63	0 TO 70	4–SOT–143	MFLL
ASM162LCUSF/T	4.63	0 TO 70	4–SOT–143	MGLL
ASM162MCUSF/T	4.38	0 TO 70	4–SOT–143	MHLL
ASM162JCUSF/T	4.00	0 TO 70	4–SOT–143	MILL
ASM162TCUSF/T	3.08	0 TO 70	4–SOT–143	MJLL
ASM162SCUSF/T	2.93	0 TO 70	4–SOT–143	MKLL
ASM162RCUSF/T	2.63	0 TO 70	4–SOT–143	MLLL
ASM161LEUSF/T	4.63	–40 TO 85	4–SOT–143	MMLL
ASM161MEUSF/T	4.38	–40 TO 85	4–SOT–143	MNLL


2. For parts to be packed in Tape and Reel, add “-T” at the end of the part number. ON Semiconductor lead free parts are RoHS compliant.

ASM161, ASM162

Table 4. ORDERING INFORMATION (continued)

Part Number (Note 2)	Reset Threshold (V)	Temperature (°C)	Pins–Package	Package Marking (LL Lot Code)
LEAD FREE DEVICES				
ASM161JEUSF/T	4.00	–40 TO 85	4–SOT–143	MOLL
ASM161TEUSF/T	3.08	–40 TO 85	4–SOT–143	MPLL
ASM161SEUSF/T	2.93	–40 TO 85	4–SOT–143	MQLL
ASM161REUSF/T	2.63	–40 TO 85	4–SOT–143	MRLL
ASM162LEUSF/T	4.63	–40 TO 85	4–SOT–143	MSLL
ASM162MEUSF/T	4.38	–40 TO 85	4–SOT–143	MTLL
ASM162JEUSF/T	4.00	–40 TO 85	4–SOT–143	MULL
ASM162TEUSF/T	3.08	–40 TO 85	4–SOT–143	MVLL
ASM162SEUSF/T	2.93	–40 TO 85	4–SOT–143	MWLL
ASM162REUSF/T	2.63	–40 TO 85	4–SOT–143	MXLL

2. For parts to be packed in Tape and Reel, add “-T” at the end of the part number. ON Semiconductor lead free parts are RoHS compliant.

ON Semiconductor and  are registered trademarks of Semiconductor Components Industries, LLC (SCILLC). SCILLC reserves the right to make changes without further notice to any products herein. SCILLC makes no warranty, representation or guarantee regarding the suitability of its products for any particular purpose, nor does SCILLC assume any liability arising out of the application or use of any product or circuit, and specifically disclaims any and all liability, including without limitation special, consequential or incidental damages. “Typical” parameters which may be provided in SCILLC data sheets and/or specifications can and do vary in different applications and actual performance may vary over time. All operating parameters, including “Typicals” must be validated for each customer application by customer’s technical experts. SCILLC does not convey any license under its patent rights nor the rights of others. SCILLC products are not designed, intended, or authorized for use as components in systems intended for surgical implant into the body, or other applications intended to support or sustain life, or for any other application in which the failure of the SCILLC product could create a situation where personal injury or death may occur. Should Buyer purchase or use SCILLC products for any such unintended or unauthorized application, Buyer shall indemnify and hold SCILLC and its officers, employees, subsidiaries, affiliates, and distributors harmless against all claims, costs, damages, and expenses, and reasonable attorney fees arising out of, directly or indirectly, any claim of personal injury or death associated with such unintended or unauthorized use, even if such claim alleges that SCILLC was negligent regarding the design or manufacture of the part. SCILLC is an Equal Opportunity/Affirmative Action Employer. This literature is subject to all applicable copyright laws and is not for resale in any manner.

PUBLICATION ORDERING INFORMATION

LITERATURE FULFILLMENT:

Literature Distribution Center for ON Semiconductor
P.O. Box 5163, Denver, Colorado 80217 USA
Phone: 303-675-2175 or 800-344-3860 Toll Free USA/Canada
Fax: 303-675-2176 or 800-344-3867 Toll Free USA/Canada
Email: orderlit@onsemi.com

N. American Technical Support: 800-282-9855 Toll Free
USA/Canada
Europe, Middle East and Africa Technical Support:
Phone: 421 33 790 2910
Japan Customer Focus Center
Phone: 81-3-5773-3850

ON Semiconductor Website: www.onsemi.com

Order Literature: <http://www.onsemi.com/orderlit>

For additional information, please contact your local Sales Representative