

# FCDN608

## 1-Channel ESD Protector

### Product Description

The FCDN608-TKY provides robust ESD protection for sensitive parts that may be subjected to electrostatic discharge (ESD). The tiny form factor and single pad allows it to be used in very confined spaces. The electrical ‘back-to-back zener’ configuration provides symmetrical ESD protection in cases where nodes with AC signals are present. This device is designed and characterized to safely dissipate ESD strikes of at least  $\pm 15$  kV, according to the MIL-STD-883 (Method 3015) specification for Human Body Model (HBM) ESD.

### Features

- Compact Die Protects from ESD Discharges
- Almost No Conduction at Signal Amplitudes Less than  $\pm 5$  V
- ESD Protection to over  $\pm 15$  kV (Human Body Model HBM) per MIL\_STD\_883 International ESD Standard

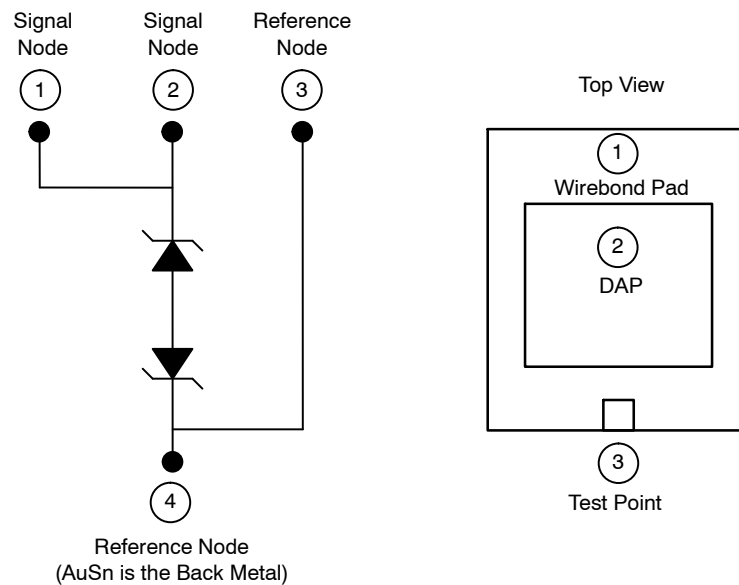
### Applications

- LED Lighting
- Modules
- Interface Circuits



**ON Semiconductor®**

<http://onsemi.com>



**Figure 1. Electrical Schematic and Top View**

### ORDERING INFORMATION

See detailed ordering and shipping information in the package dimensions section on page 2 of this data sheet.

# FCDN608

**Table 1. PIN DESCRIPTIONS**

FCDN608-TKY (Schematic and Top View)			
Designation	Schematic	Top View	Metal Composition (Package)
1	Signal Node	Wirebond Pad	Al
2	Signal Node	DAP	Cu
3	Reference Node	Test Point	-
4	Reference Node	N/A	AuSn

**Table 2. ORDERING INFORMATION**

Ordering Part Number	DAP (Die Attach Pad)	Backside Metal	Thickness	Shipping Method
FCDN608-TKY	Cu	AuSn	10 mils	Metal Film Frame/Clamshell

## SPECIFICATIONS

**Table 3. ABSOLUTE MAXIMUM RATINGS**

Parameter	Rating	Unit
Operating Junction Temperature Range	-40 to +150	°C
Storage Junction Temperature Range	-65 to +150	°C

Stresses exceeding Maximum Ratings may damage the device. Maximum Ratings are stress ratings only. Functional operation above the Recommended Operating Conditions is not implied. Extended exposure to stresses above the Recommended Operating Conditions may affect device reliability.

**Table 4. STANDARD OPERATING CONDITIONS**

Parameter	Rating	Unit
Operating Junction Temperature Range	-40 to +150	°C

**Table 5. ELECTRICAL OPERATING CHARACTERISTICS** (See Note 1)

Symbol	Parameter	Test Conditions	Min	Typ	Max	Unit
I <sub>LEAK</sub>	Leakage Current	V = +5 V, 25°C V = -10 V, 25°C V = 5 V, 150°C (Note 2)			+0.35 -0.35 4.0	μA μA mA
V <sub>CL</sub>	Clamp Voltage on Signal Node Positive Polarity Negative Polarity	T <sub>A</sub> = 25°C at 10 mA at -10 mA	+5 -14	+7 -11.5	+9 -10	V
V <sub>ESD</sub>	ESD Protection – Withstand Voltage: Human Body Model (MIL-STD-883, Method 3015)	T <sub>A</sub> = 25°C (Note 2)	±15			kV
V <sub>CL_ESD</sub>	Clamping Voltage on Signal Node for Transients Positive Polarity Negative Polarity	I <sub>PP</sub> = 1 A, t <sub>p</sub> = 8/20 μs Positive Transients Negative Transients (Note 2)		+7 -12		V
R <sub>DYN</sub>	Dynamic Resistance R <sub>DYN+</sub> R <sub>DYN-</sub>	I <sub>PP</sub> = 1 A, t <sub>p</sub> = 8/20 μs Positive Transients Negative Transients (Note 2)		0.2 0.4		Ω
C <sub>IN</sub>	Input Capacitance	At 1 MHz, 30 mV osc. Level, 0 VDC Bias At 1 MHz, 30 mV osc. Level, 3 VDC Bias (Note 2)		175 120		pF

1. Operating characteristics are over standard operating conditions unless otherwise specified.
2. This parameter is guaranteed by design and characterization.

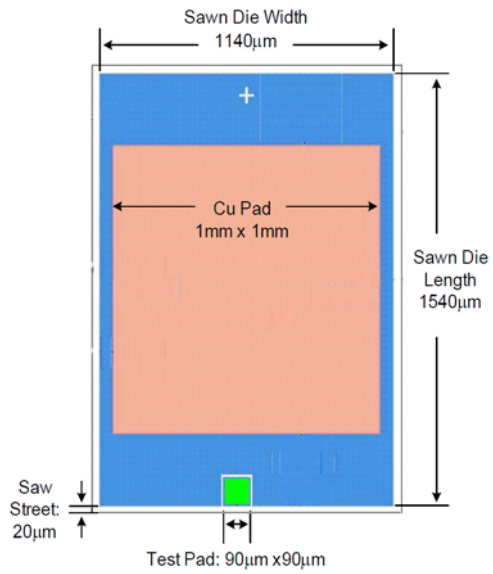
# FCDN608

## MECHANICAL DETAILS

**Table 6. MECHANICAL SPECIFICATIONS**

Parameter	Condition	Unit
Composition	Silicon Wafer, n+ Doped	
Die Shape	Rectangular	
Length	1540 (After Saw)	μm
Width	1140 (After Saw)	μm
Thickness	10	mils
Die Attach Pad Length	1	mm
Die Attach Pad Width	1	mm
Die Attach Pad Composition	Cu (Copper)	
Back Metal (Underside)	AuSn (Gold-Tin)	

**MECHANICAL PACKAGE DIAGRAM**



**Figure 2. Die Dimensions**

**ON Semiconductor** and **ON** are registered trademarks of Semiconductor Components Industries, LLC (SCILLC). SCILLC reserves the right to make changes without further notice to any products herein. SCILLC makes no warranty, representation or guarantee regarding the suitability of its products for any particular purpose, nor does SCILLC assume any liability arising out of the application or use of any product or circuit, and specifically disclaims any and all liability, including without limitation special, consequential or incidental damages. "Typical" parameters which may be provided in SCILLC data sheets and/or specifications can and do vary in different applications and actual performance may vary over time. All operating parameters, including "Typicals" must be validated for each customer application by customer's technical experts. SCILLC does not convey any license under its patent rights nor the rights of others. SCILLC products are not designed, intended, or authorized for use as components in systems intended for surgical implant into the body, or other applications intended to support or sustain life, or for any other application in which the failure of the SCILLC product could create a situation where personal injury or death may occur. Should Buyer purchase or use SCILLC products for any such unintended or unauthorized application, Buyer shall indemnify and hold SCILLC and its officers, employees, subsidiaries, affiliates, and distributors harmless against all claims, costs, damages, and expenses, and reasonable attorney fees arising out of, directly or indirectly, any claim of personal injury or death associated with such unintended or unauthorized use, even if such claim alleges that SCILLC was negligent regarding the design or manufacture of the part. SCILLC is an Equal Opportunity/Affirmative Action Employer. This literature is subject to all applicable copyright laws and is not for resale in any manner.

### PUBLICATION ORDERING INFORMATION

**LITERATURE FULFILLMENT:**  
Literature Distribution Center for ON Semiconductor  
P.O. Box 5163, Denver, Colorado 80217 USA  
**Phone:** 303-675-2175 or 800-344-3860 Toll Free USA/Canada  
**Fax:** 303-675-2176 or 800-344-3867 Toll Free USA/Canada  
**Email:** orderlit@onsemi.com

**N. American Technical Support:** 800-282-9855 Toll Free  
USA/Canada  
**Europe, Middle East and Africa Technical Support:**  
Phone: 421 33 790 2910  
**Japan Customer Focus Center**  
Phone: 81-3-5773-3850

**ON Semiconductor Website:** [www.onsemi.com](http://www.onsemi.com)  
**Order Literature:** <http://www.onsemi.com/orderlit>  
For additional information, please contact your local Sales Representative