



Is Now Part of



ON Semiconductor®

To learn more about ON Semiconductor, please visit our website at
www.onsemi.com

Please note: As part of the Fairchild Semiconductor integration, some of the Fairchild orderable part numbers will need to change in order to meet ON Semiconductor's system requirements. Since the ON Semiconductor product management systems do not have the ability to manage part nomenclature that utilizes an underscore (_), the underscore (_) in the Fairchild part numbers will be changed to a dash (-). This document may contain device numbers with an underscore (_). Please check the ON Semiconductor website to verify the updated device numbers. The most current and up-to-date ordering information can be found at www.onsemi.com. Please email any questions regarding the system integration to Fairchild_questions@onsemi.com.

ON Semiconductor and the ON Semiconductor logo are trademarks of Semiconductor Components Industries, LLC dba ON Semiconductor or its subsidiaries in the United States and/or other countries. ON Semiconductor owns the rights to a number of patents, trademarks, copyrights, trade secrets, and other intellectual property. A listing of ON Semiconductor's product/patent coverage may be accessed at www.onsemi.com/site/pdf/Patent-Marking.pdf. ON Semiconductor reserves the right to make changes without further notice to any products herein. ON Semiconductor makes no warranty, representation or guarantee regarding the suitability of its products for any particular purpose, nor does ON Semiconductor assume any liability arising out of the application or use of any product or circuit, and specifically disclaims any and all liability, including without limitation special, consequential or incidental damages. Buyer is responsible for its products and applications using ON Semiconductor products, including compliance with all laws, regulations and safety requirements or standards, regardless of any support or applications information provided by ON Semiconductor. "Typical" parameters which may be provided in ON Semiconductor data sheets and/or specifications can and do vary in different applications and actual performance may vary over time. All operating parameters, including "Typicals" must be validated for each customer application by customer's technical experts. ON Semiconductor does not convey any license under its patent rights nor the rights of others. ON Semiconductor products are not designed, intended, or authorized for use as a critical component in life support systems or any FDA Class 3 medical devices or medical devices with a same or similar classification in a foreign jurisdiction or any devices intended for implantation in the human body. Should Buyer purchase or use ON Semiconductor products for any such unintended or unauthorized application, Buyer shall indemnify and hold ON Semiconductor and its officers, employees, subsidiaries, affiliates, and distributors harmless against all claims, costs, damages, and expenses, and reasonable attorney fees arising out of, directly or indirectly, any claim of personal injury or death associated with such unintended or unauthorized use, even if such claim alleges that ON Semiconductor was negligent regarding the design or manufacture of the part. ON Semiconductor is an Equal Opportunity/Affirmative Action Employer. This literature is subject to all applicable copyright laws and is not for resale in any manner.

FIN1031 3.3V LVDS 4-Bit High Speed Differential Driver

General Description

This quad driver is designed for high speed interconnects utilizing Low Voltage Differential Signaling (LVDS) technology. The driver translates LVTTTL signal levels to LVDS levels with a typical differential output swing of 350mV which provides low EMI at ultra low power dissipation even at high frequencies. This device is ideal for high speed transfer of clock and data.

The FIN1031 can be paired with its companion receiver, the FIN1032, or any other Fairchild LVDS receiver.

Features

- Greater than 400Mbps data rate
- 3.3V power supply operation
- 0.4ns maximum differential pulse skew
- 2.0ns maximum propagation delay
- Low power dissipation
- Power OFF protection
- Meets or exceeds the TIA/EIA-644 LVDS standard
- Pin compatible with equivalent RS-422 and LVPECL devices
- 16-Lead SOIC and TSSOP packages save space

Ordering Code:

| Order Number | Package Number | Package Description |
|--------------|----------------|--|
| FIN1031M | M16A | 16-Lead Small Outline Integrated Circuit (SOIC), JEDEC MS-012, 0.150" Narrow |
| FIN1031MTC | MTC16 | 16-Lead Thin Shrink Small Outline Package (TSSOP), JEDEC MO-153, 4.4mm Wide |

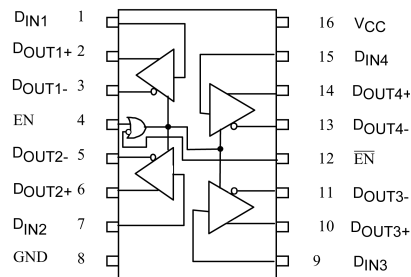
Devices also available in Tape and Reel. Specify by appending the suffix letter "X" to the ordering code.

Function Table

| Inputs | | | Outputs | |
|--------|------------------------|-----------------|-------------------|-------------------|
| EN | $\overline{\text{EN}}$ | D _{IN} | D _{OUT+} | D _{OUT-} |
| H | X | H | H | L |
| H | X | L | L | H |
| H | X | OPEN | L | H |
| X | L | H | H | L |
| X | L | L | L | H |
| X | L | OPEN | L | H |
| L | H | X | Z | Z |

H = HIGH Logic Level L = LOW Logic Level
X = Don't Care Z = High Impedance

Connection Diagram



Pin Descriptions

| Pin Name | Description |
|---|------------------------------|
| D _{IN1} , D _{IN2} , D _{IN3} , D _{IN4} | LVTTTL Data Inputs |
| D _{OUT1+} , D _{OUT2+} , D _{OUT3+} , D _{OUT4+} | Non-Inverting Driver Outputs |
| D _{OUT1-} , D _{OUT2-} , D _{OUT3-} , D _{OUT4-} | Inverting Driver Outputs |
| EN | Driver Enable Pin |
| $\overline{\text{EN}}$ | Inverting Driver Enable Pin |
| V _{CC} | Power Supply |
| GND | Ground |

Absolute Maximum Ratings(Note 1)

| | |
|--|-----------------|
| Supply Voltage (V_{CC}) | -0.5V to +4.6V |
| DC Input Voltage (V_{IN}) | |
| @ $V_{CC} \geq 3V$ | -0.5V to +6V |
| @ $V_{CC} = 0V$ | -0.5V to +4.6V |
| DC Output Voltage (V_{OUT}) | |
| @ $V_{CC} = 0V$ | -0.5V to +4.6V |
| Driver Short Circuit Current (I_{OSD}) | Continuous |
| Storage Temperature Range (T_{STG}) | -65°C to +150°C |
| Max Junction Temperature (T_J) | 150°C |
| Lead Temperature (T_L) | |
| (Soldering, 10 seconds) | 260°C |
| ESD (Human Body Model) | $\geq 8000V$ |
| ESD (Machine Model) | $\geq 600V$ |

Recommended Operating Conditions

| | |
|---------------------------------|----------------|
| Supply Voltage (V_{CC}) | 3.0V to 3.6V |
| Input Voltage (V_{IN}) | 0 to V_{CC} |
| Operating Temperature (T_A) | -40°C to +85°C |

Note 1: The "Absolute Maximum Ratings" are those values beyond which damage to the device may occur. The databook specifications should be met, without exception, to ensure that the system design is reliable over its power supply, temperature and output/input loading variables. Fairchild does not recommend operation of circuits outside databook specification.

DC Electrical Characteristics

Over supply voltage and operating temperature ranges, unless otherwise specified

| Symbol | Parameter | Test Conditions | Min | Typ (Note 2) | Max | Units |
|-----------------|---|--|-------|--------------|----------|---------|
| V_{OD} | Output Differential Voltage | $R_L = 100\Omega$, Driver Enabled, See Figure 1 | 250 | 350 | 450 | mV |
| ΔV_{OD} | V_{OD} Magnitude Change from Differential LOW-to-HIGH | | | | 25 | mV |
| V_{OS} | Offset Voltage | | 1.125 | 1.25 | 1.375 | V |
| ΔV_{OS} | Offset Magnitude Change from Differential LOW-to-HIGH | | | | 25 | mV |
| I_{OFF} | Power Off Output Current | $V_{CC} = 0V$, $V_{OUT} = 0V$ or 3.6V | | | ± 20 | μA |
| I_{OS} | Short Circuit Output Current | $V_{OUT} = 0V$, Driver Enabled | | | -6 | mA |
| | | $V_{OD} = 0V$, Driver Enabled | | | ± 6 | |
| V_{IH} | Input HIGH Voltage | | 2.0 | | V_{CC} | V |
| V_{IL} | Input LOW Voltage | | GND | | 0.8 | V |
| I_{IN} | Input Current | $V_{IN} = 0V$ or V_{CC} | | | ± 20 | μA |
| I_{OZ} | Disabled Output Leakage Current | $EN = 0.8V$, $\overline{EN} = 2.0V$ $V_{OUT} = 0V$ or 4.7V | | | ± 20 | μA |
| $I_{I(OFF)}$ | Power-OFF Input Current | $V_{CC} = 0V$, $V_{IN} = 0V$ or 3.6V | | | ± 20 | μA |
| V_{IK} | Input Clamp Voltage | $I_{IK} = -18$ mA | -1.5 | | | V |
| I_{CC} | Power Supply Current | No Load, $V_{IN} = 0V$ or V_{CC} , Driver Enabled | | 3.2 | 5 | mA |
| | | $R_L = 100\Omega$, Driver Disabled | | 3.2 | 5 | |
| | | $R_L = 100\Omega$, $V_{IN} = 0V$ or V_{CC} , Driver Enabled | | 17.9 | 25 | |
| C_{IN} | Input Capacitance | | | 7 | | pF |
| C_{OUT} | Output Capacitance | | | 4 | | pF |

Note 2: All typical values are at $T_A = 25^\circ C$ and with $V_{CC} = 3.3V$.

AC Electrical Characteristics

Over supply voltage and operating temperature ranges, unless otherwise specified

| Symbol | Parameter | Test Conditions | Min | Typ (Note 3) | Max | Units |
|--------------|---|--|-----|-----------------|-----|-------|
| t_{PLHD} | Differential Propagation Delay LOW-to-HIGH | $R_L = 100 \Omega$, $C_L = 10 \text{ pF}$, See Figure 2 and Figure 3 (Note 7) | 0.8 | 1.4 | 2.0 | ns |
| t_{PHLD} | Differential Propagation Delay HIGH-to-LOW | | 0.8 | 1.4 | 2.0 | ns |
| t_{TLHD} | Differential Output Rise Time (20% to 80%) | | 0.6 | 0.85 | 1.2 | ns |
| t_{THLD} | Differential Output Fall Time (80% to 20%) | | 0.6 | 0.85 | 1.2 | ns |
| $t_{SK(P)}$ | Pulse Skew $ t_{PLH} - t_{PHL} $ | | | | 0.4 | ns |
| $t_{SK(LH)}$ | Channel-to-Channel Skew (Note 4) | | | | 0.3 | ns |
| $t_{SK(HL)}$ | | | | | | |
| $t_{SK(PP)}$ | Part-to-Part Skew (Note 5) | | | | 1.0 | ns |
| f_{MAX} | Maximum Frequency (Note 6) | | 200 | 275 | | MHz |
| t_{ZHD} | Differential Output Enable Time from Z to HIGH | $R_L = 100\Omega$, $C_L = 10 \text{ pF}$, See Figure 4 and Figure 5 (Note 7) | | 2.5 | 5.0 | ns |
| t_{ZLD} | Differential Output Enable Time from Z to LOW | | | 2.7 | 5.0 | ns |
| t_{HZD} | Differential Output Disable Time from HIGH to Z | | | 3.2 | 5.0 | ns |
| t_{LZD} | Differential Output Disable Time from LOW to Z | | | 3.4 | 5.0 | ns |

Note 3: All typical values are at $T_A = 25^\circ\text{C}$ and with $V_{CC} = 3.3\text{V}$.

Note 4: $t_{SK(LH)}$, $t_{SK(HL)}$ is the skew between specified outputs of a single device when the outputs have identical loads and are switching in the same direction.

Note 5: $t_{SK(PP)}$ is the magnitude of the difference in propagation delay times between any specified terminals of two devices switching in the same direction (either LOW-to-HIGH or HIGH-to-LOW) when both devices operate with the same supply voltage, same temperature, and have identical test circuits.

Note 6: f_{MAX} Criteria: Input $t_R = t_F < 1 \text{ ns}$, 0V to 3V, 50% Duty Cycle; Output $V_{OD} > 250 \text{ mV}$, 45% to 55% Duty Cycle; all output channels switching in phase.

Note 7: Test Circuits in Figure 2 and Figure 4 are simplified representations of test fixture and DUT loading.

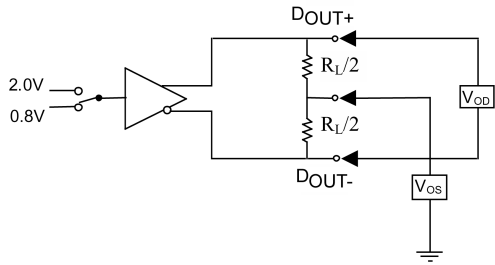
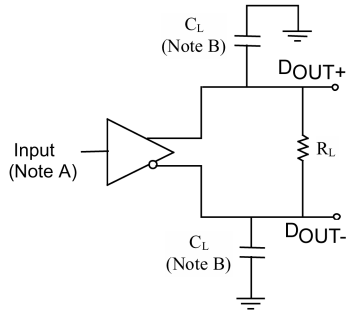


FIGURE 1. Differential Driver DC Test Circuit



Note A: All input pulses have frequency = 10 MHz, t_R or t_F = 1 ns
Note B: C_L includes all fixture and instrumentation capacitances

FIGURE 2. Differential Driver Propagation Delay and Transition Time Test Circuit

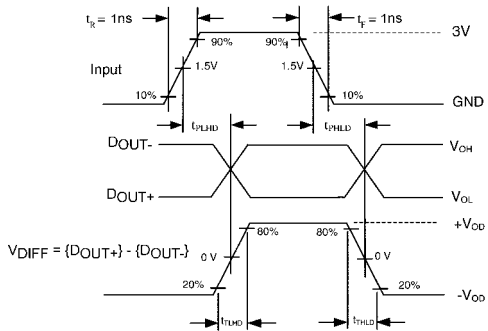
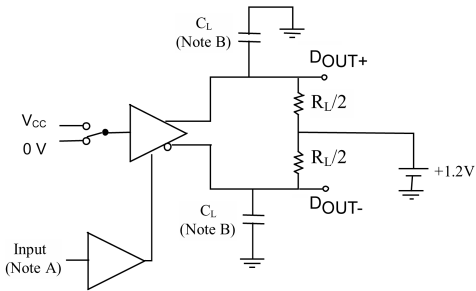


FIGURE 3. AC Waveforms



Note B: All input pulses have the frequency = 10 MHz, t_R or t_F = 1 ns
Note A: C_L includes all fixture and instrumentation capacitances

FIGURE 4. Differential Driver Enable and Disable Test Circuit

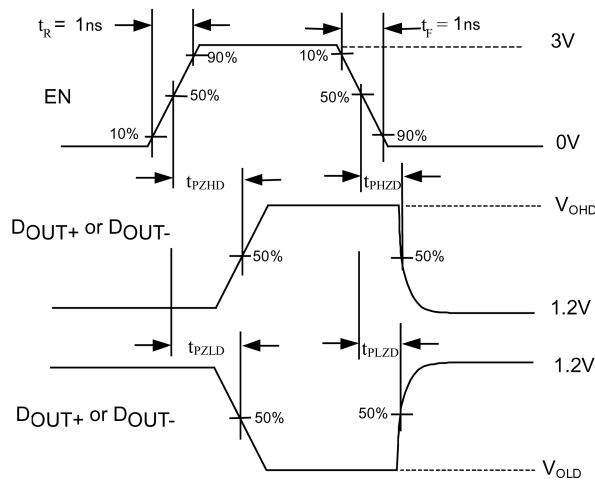
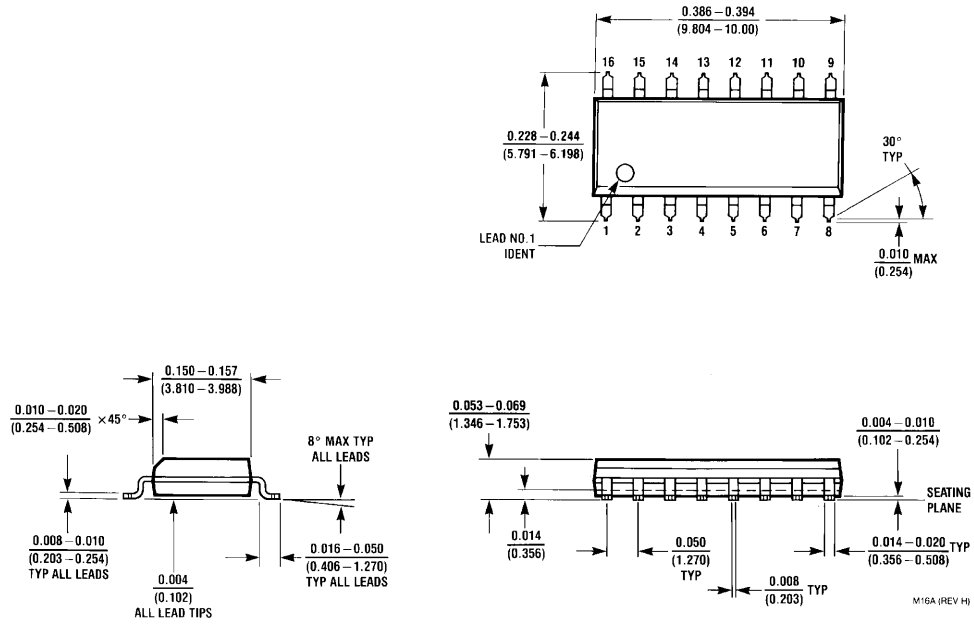


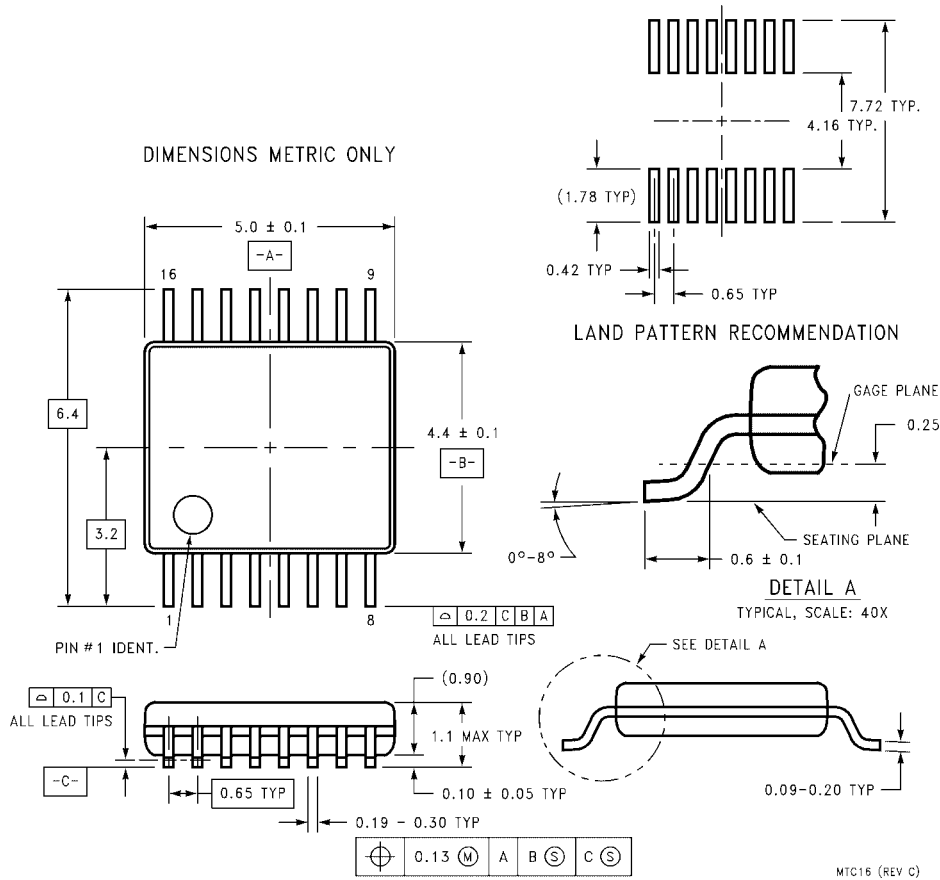
FIGURE 5. Enable and Disable AC Waveforms

Physical Dimensions inches (millimeters) unless otherwise noted



**16-Lead Small Outline Integrated Circuit (SOIC), JEDEC MS-012, 0.150" Narrow
Package Number M16A**

Physical Dimensions inches (millimeters) unless otherwise noted (Continued)



**16-Lead Thin Shrink Small Outline Package (TSSOP), JEDEC MO-153, 4.4mm Wide
Package Number MTC16**

Fairchild does not assume any responsibility for use of any circuitry described, no circuit patent licenses are implied and Fairchild reserves the right at any time without notice to change said circuitry and specifications.

LIFE SUPPORT POLICY

FAIRCHILD'S PRODUCTS ARE NOT AUTHORIZED FOR USE AS CRITICAL COMPONENTS IN LIFE SUPPORT DEVICES OR SYSTEMS WITHOUT THE EXPRESS WRITTEN APPROVAL OF THE PRESIDENT OF FAIRCHILD SEMICONDUCTOR CORPORATION. As used herein:

1. Life support devices or systems are devices or systems which, (a) are intended for surgical implant into the body, or (b) support or sustain life, and (c) whose failure to perform when properly used in accordance with instructions for use provided in the labeling, can be reasonably expected to result in a significant injury to the user.
2. A critical component in any component of a life support device or system whose failure to perform can be reasonably expected to cause the failure of the life support device or system, or to affect its safety or effectiveness.

www.fairchildsemi.com

ON Semiconductor and  are trademarks of Semiconductor Components Industries, LLC dba ON Semiconductor or its subsidiaries in the United States and/or other countries. ON Semiconductor owns the rights to a number of patents, trademarks, copyrights, trade secrets, and other intellectual property. A listing of ON Semiconductor's product/patent coverage may be accessed at www.onsemi.com/site/pdf/Patent-Marking.pdf. ON Semiconductor reserves the right to make changes without further notice to any products herein. ON Semiconductor makes no warranty, representation or guarantee regarding the suitability of its products for any particular purpose, nor does ON Semiconductor assume any liability arising out of the application or use of any product or circuit, and specifically disclaims any and all liability, including without limitation special, consequential or incidental damages. Buyer is responsible for its products and applications using ON Semiconductor products, including compliance with all laws, regulations and safety requirements or standards, regardless of any support or applications information provided by ON Semiconductor. "Typical" parameters which may be provided in ON Semiconductor data sheets and/or specifications can and do vary in different applications and actual performance may vary over time. All operating parameters, including "Typicals" must be validated for each customer application by customer's technical experts. ON Semiconductor does not convey any license under its patent rights nor the rights of others. ON Semiconductor products are not designed, intended, or authorized for use as a critical component in life support systems or any FDA Class 3 medical devices or medical devices with a same or similar classification in a foreign jurisdiction or any devices intended for implantation in the human body. Should Buyer purchase or use ON Semiconductor products for any such unintended or unauthorized application, Buyer shall indemnify and hold ON Semiconductor and its officers, employees, subsidiaries, affiliates, and distributors harmless against all claims, costs, damages, and expenses, and reasonable attorney fees arising out of, directly or indirectly, any claim of personal injury or death associated with such unintended or unauthorized use, even if such claim alleges that ON Semiconductor was negligent regarding the design or manufacture of the part. ON Semiconductor is an Equal Opportunity/Affirmative Action Employer. This literature is subject to all applicable copyright laws and is not for resale in any manner.

PUBLICATION ORDERING INFORMATION

LITERATURE FULFILLMENT:

Literature Distribution Center for ON Semiconductor
19521 E. 32nd Pkwy, Aurora, Colorado 80011 USA
Phone: 303-675-2175 or 800-344-3860 Toll Free USA/Canada
Fax: 303-675-2176 or 800-344-3867 Toll Free USA/Canada
Email: orderlit@onsemi.com

N. American Technical Support: 800-282-9855 Toll Free
USA/Canada
Europe, Middle East and Africa Technical Support:
Phone: 421 33 790 2910
Japan Customer Focus Center
Phone: 81-3-5817-1050

ON Semiconductor Website: www.onsemi.com
Order Literature: <http://www.onsemi.com/orderlit>
For additional information, please contact your local
Sales Representative