



Is Now Part of



ON Semiconductor®

To learn more about ON Semiconductor, please visit our website at
www.onsemi.com

Please note: As part of the Fairchild Semiconductor integration, some of the Fairchild orderable part numbers will need to change in order to meet ON Semiconductor's system requirements. Since the ON Semiconductor product management systems do not have the ability to manage part nomenclature that utilizes an underscore (_), the underscore (_) in the Fairchild part numbers will be changed to a dash (-). This document may contain device numbers with an underscore (_). Please check the ON Semiconductor website to verify the updated device numbers. The most current and up-to-date ordering information can be found at www.onsemi.com. Please email any questions regarding the system integration to Fairchild_questions@onsemi.com.

ON Semiconductor and the ON Semiconductor logo are trademarks of Semiconductor Components Industries, LLC dba ON Semiconductor or its subsidiaries in the United States and/or other countries. ON Semiconductor owns the rights to a number of patents, trademarks, copyrights, trade secrets, and other intellectual property. A listing of ON Semiconductor's product/patent coverage may be accessed at www.onsemi.com/site/pdf/Patent-Marking.pdf. ON Semiconductor reserves the right to make changes without further notice to any products herein. ON Semiconductor makes no warranty, representation or guarantee regarding the suitability of its products for any particular purpose, nor does ON Semiconductor assume any liability arising out of the application or use of any product or circuit, and specifically disclaims any and all liability, including without limitation special, consequential or incidental damages. Buyer is responsible for its products and applications using ON Semiconductor products, including compliance with all laws, regulations and safety requirements or standards, regardless of any support or applications information provided by ON Semiconductor. "Typical" parameters which may be provided in ON Semiconductor data sheets and/or specifications can and do vary in different applications and actual performance may vary over time. All operating parameters, including "Typicals" must be validated for each customer application by customer's technical experts. ON Semiconductor does not convey any license under its patent rights nor the rights of others. ON Semiconductor products are not designed, intended, or authorized for use as a critical component in life support systems or any FDA Class 3 medical devices or medical devices with a same or similar classification in a foreign jurisdiction or any devices intended for implantation in the human body. Should Buyer purchase or use ON Semiconductor products for any such unintended or unauthorized application, Buyer shall indemnify and hold ON Semiconductor and its officers, employees, subsidiaries, affiliates, and distributors harmless against all claims, costs, damages, and expenses, and reasonable attorney fees arising out of, directly or indirectly, any claim of personal injury or death associated with such unintended or unauthorized use, even if such claim alleges that ON Semiconductor was negligent regarding the design or manufacture of the part. ON Semiconductor is an Equal Opportunity/Affirmative Action Employer. This literature is subject to all applicable copyright laws and is not for resale in any manner.



FPF2172 IntelliMAX™ Advanced Load Management

Features

- 1.8 to 5.5 V Input Voltage Range
- Controlled Turn-On
- 200 mA Current Limit Option
- Under-Voltage Lockout (UVLO)
- Thermal Shutdown
- <1 μ A Shutdown Current
- Fast Current Limit Response Time:
 - 3 μ s to Moderate Over Currents
 - 20 ns to Hard Shorts
- Integrated very Low V_F Schottky Diode for Reverse Current Blocking
- RoHS Compliant

Applications

- PDAs
- Cell Phones
- GPS Devices
- MP3 Players
- Digital Cameras
- Peripheral Ports
- Hot Swap Supplies

Description

The FPF2172 is a load switch which combines the functionality of the IntelliMAX™ series load switch with a very low forward voltage drop Schottky barrier rectifier. The integrated solution provides full protection to systems and loads which may encounter large current conditions in a very compact MLP 3 x 3 package. This device contains a 0.125 Ω current-limited P-channel MOSFET which can operate over an input voltage range of 1.8-5.5 V. The Schottky diode acts as a barrier so that no reverse current can flow when the MOSFET is off and the output voltage is higher than the input voltage. Switch control is by a logic input (ON) capable of interfacing directly with low voltage control signals. Each part contains thermal shutdown protection which shuts off the switch to prevent damage to the part when a continuous over-current condition causes excessive heating.

When the switch current reaches the current limit, the part operates in a constant-current mode to prohibit excessive currents from causing damage. If the constant current condition still persists after 10 ms, these parts will shut off the switch and pull the fault signal pin (FLAGB) low. The switch will remain off until the ON pin is cycled. The minimum current limit is 200 mA.

These parts are available in a space-saving 6-lead MLP 3 x 3 package.

Ordering Information

Part Number	Current Limiting [mA]	Current Limit Blanking Time [ms]	Auto-Restart Time [ms]	ON Pin Activity	Top Mark
FPF2172	200	10	n/a	Active HI	2172

Typical Application

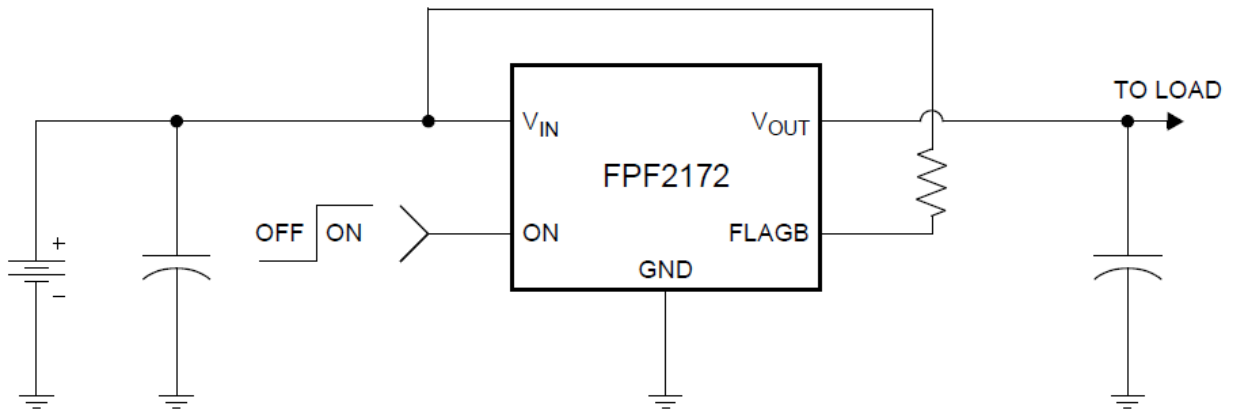


Figure 1. Typical Application

Block Diagram

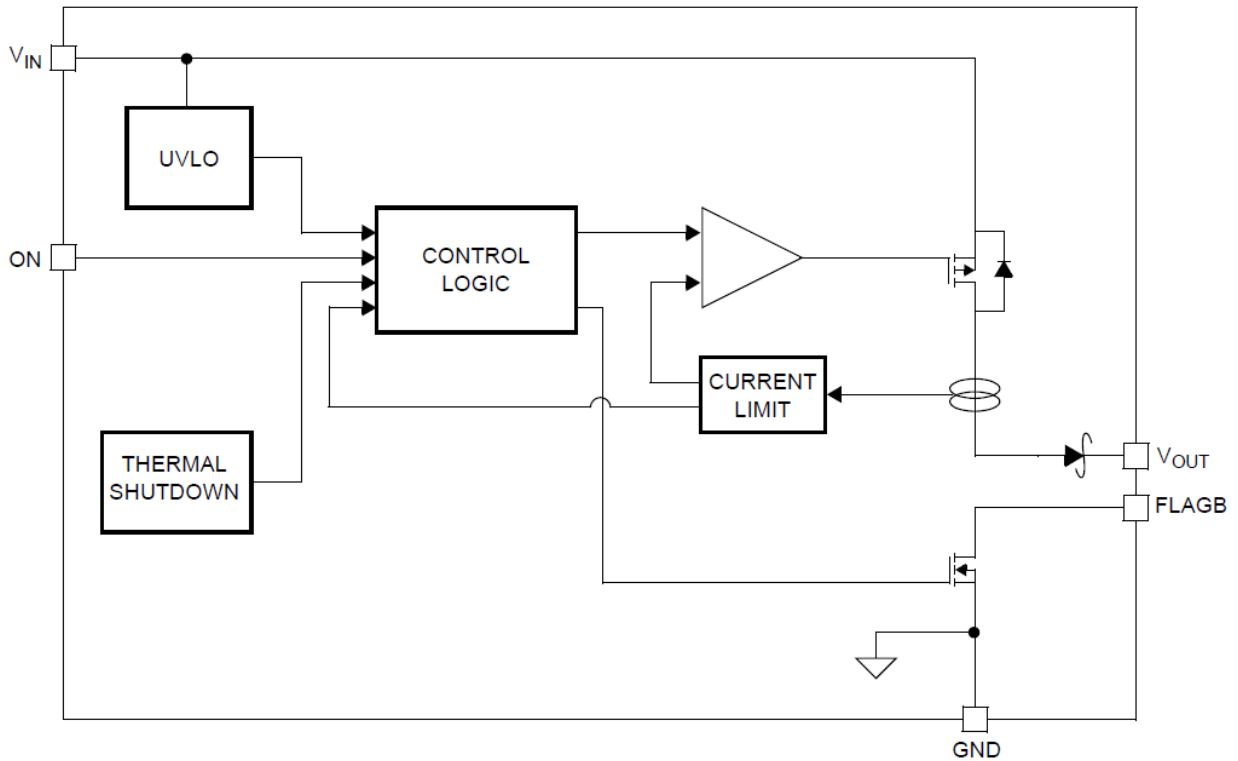


Figure 2. Block Diagram

Pin Configuration

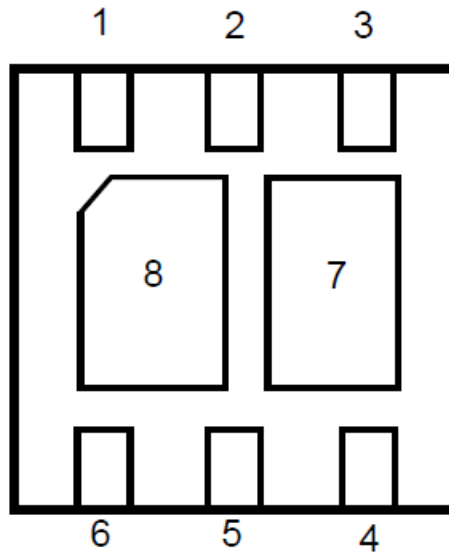


Figure 3. 3 x 3 MLP (Bottom View)

Pin Descriptions

Pin	Name	Description
1	V_{IN}	Supply Input. Input to the power switch and the supply voltage for the IC
2, 8	NC	No Connect
3, 7	V_{OUT}	Switch Output. Output of the power switch
4	FLAGB	Fault Output. Active LO, open drain output which indicates an over current supply, Under-Voltage or Over-Temperature state.
5	GND	Ground
6	ON	ON Control Input

Absolute Maximum Ratings

Stresses exceeding the absolute maximum ratings may damage the device. The device may not function or be operable above the recommended operating conditions and stressing the parts to these levels is not recommended. In addition, extended exposure to stresses above the recommended operating conditions may affect device reliability. The absolute maximum ratings are stress ratings only.

Symbol	Parameter		Min.	Max.	Unit
V_{IN}	V_{IN} , ON, FLAGB to GND		-0.3	6.0	V
	V_{OUT} to GND		-0.3	20.0	V
P_D	Power Dissipation @ $T_A = 25^\circ\text{C}^{(1)}$			1.4	W
T_A	Operating Temperature Range		-40	85	$^\circ\text{C}$
T_{STG}	Storage Temperature		-65	150	$^\circ\text{C}$
Θ_{JA}	Thermal Resistance, Junction to Ambient			70	$^\circ\text{C}/\text{W}$
ESD	Electrostatic Discharge Capability	Human Body Model		4000	V
		Machine Model		400	

Note:

1. Package power dissipation on 1 square inch pad, 2 oz. copper board.

Recommended Operating Conditions

The Recommended Operating Conditions table defines the conditions for actual device operation. Recommended operating conditions are specified to ensure optimal performance. Fairchild does not recommend exceeding them or designing to Absolute Maximum Ratings.

Symbol	Parameter	Min.	Max.	Unit
V_{IN}	Input Voltage	1.8	5.5	V
T_A	Ambient Operating Temperature	-40	85	$^\circ\text{C}$

Electrical Characteristics

$V_{IN} = 1.8$ to 5.5 V, $T_A = -40$ to $+85^\circ\text{C}$ unless otherwise noted. Typical values are at $V_{IN} = 3.3$ V and $T_A = 25^\circ\text{C}$.

Symbol	Parameter	Conditions	Min.	Typ.	Max.	Unit
Basic Operation						
V_{IN}	Operating Voltage		1.8		5.5	V
I_Q	Quiescent Current	$I_{OUT}=0$ mA, V_{ON} Active	$V_{IN}=1.8$ V to 3.3 V	95		μA
			$V_{IN}=3.3$ V to 5.5 V	110	200	
I_{SHDN}	Shutdown Current				1.0	μA
$I_{LATCHOFF}$	Latch-Off Current	$V_{ON}=V_{IN}$, after and Over-Current Fault		50		μA
I_R	Reverse Block Leakage Current	$V_{OUT} = 20$ V, $V_{IN} = V_{ON} = 0$ V, $T_A = 25^\circ\text{C}$		10	100	μA
	Reverse Breakdown Voltage	$I_{OUT} = 250$ mA	20			V
V_{DROP}	Dropout Voltage	$T_A = 25^\circ\text{C}$, $I_{OUT} = 150$ mA		0.3	0.4	V
		$T_A = 85^\circ\text{C}$, $I_{OUT} = 150$ mA		0.23		
		$T_A = -40^\circ\text{C}$, $I_{OUT} = 150$ mA		0.36		
V_{IH}	On Input Logic HIGH Voltage	$V_{IN} = 1.8$ V	0.75			V
		$V_{IN} = 5.5$ V	1.3			
V_{IL}	On Input Logic LOW Voltage	$V_{IN} = 1.8$ V			0.5	V
		$V_{IN} = 5.5$ V			1.0	
I_{ON}	On Input Leakage	$V_{ON} = V_{IN}$ or GND			1.0	μA
I_{SWOFF}	Off Switch Leakage	$V_{ON} = 0$ V, $V_{OUT} = 0$ V at $V_{IN} = 5.5$ V, $T_A = 85^\circ\text{C}$			1.0	μA
		$V_{ON} = 0$ V, $V_{OUT} = 0$ V at $V_{IN} = 3.3$ V, $T_A = 85^\circ\text{C}$		10	100	
	FLAGB Output Logic Low Voltage	$V_{IN} = 5.5$ V, $I_{SINK} = 10$ mA			0.2	V
		$V_{IN} = 1.8$ V, $I_{SINK} = 10$ mA			0.3	
	FLAGB Output High Leakage Current	$V_{IN} = 5$ V, Switch On			1.0	μA
Protections						
I_{LIM}	Current Limit	$V_{IN} = 3.3$ V, $V_{OUT} = 2.0$ V	200	300	400	mA
	Thermal Shutdown	Shutdown Threshold		140		$^\circ\text{C}$
		Return from Shutdown		130		
		Hysteresis		10		
U_{VLO}	Under-Voltage Lockout	V_{IN} Increasing	1.5	1.6	1.7	V
U_{VLOH}	Under-Voltage Lockout Hysteresis			47		mV
Dynamic Characteristics						
t_{ON}	Turn-On Time	$R_L = 500$ Ω , $C_L = 0.1$ μF		22		μs
t_{OFF}	Turn-Off Time	$R_L = 500$ Ω , $C_L = 0.1$ μF		20		μs
t_{RISE}	V_{OUT} Rise Time	$R_L = 500$ Ω , $C_L = 0.1$ μF		13		μs
t_{FALL}	V_{OUT} Fall Time	$R_L = 500$ Ω , $C_L = 0.1$ μF		117		μs
t_{BLANK}	Over-Current Blanking Time		5	10	20	ms
	Short Circuit Response Time	$V_{IN} = V_{ON} = 3.3$ V, Moderate Over-Current Condition		3		μs
		$V_{IN} = V_{ON} = 3.3$ V, Hard Short		20		ns

Typical Performance Characteristics

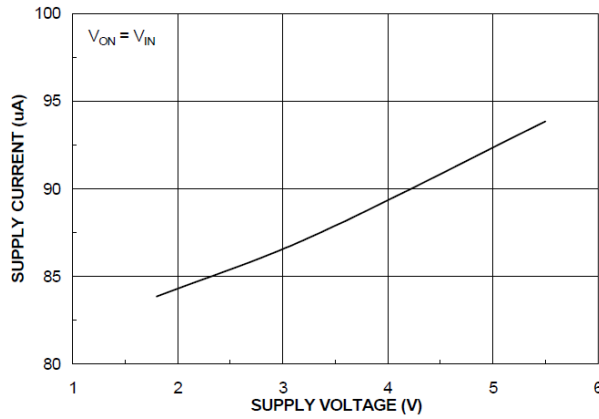


Figure 4. Quiescent Current vs. Input Voltage

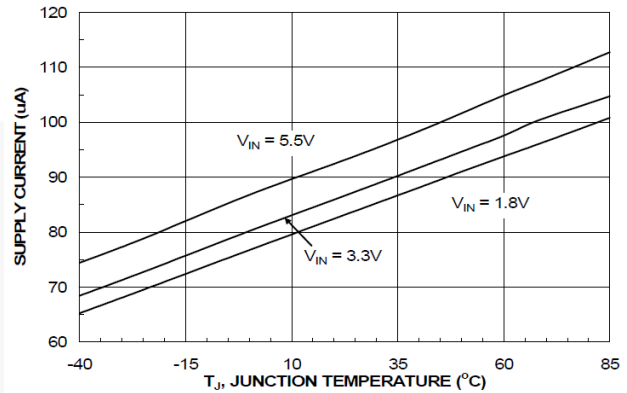


Figure 5. Quiescent Current vs. Temperature

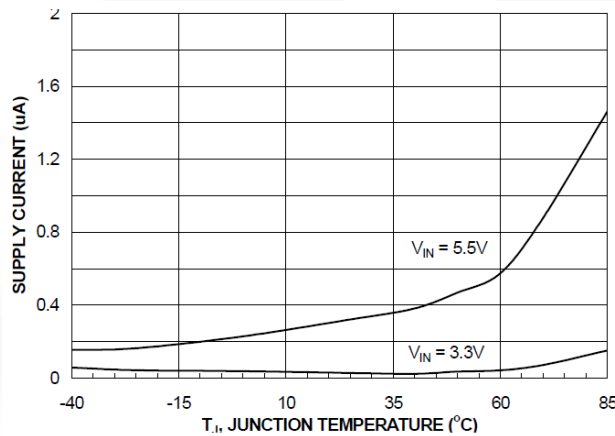


Figure 6. I_{SHUTDOWN} Current vs. Temperature

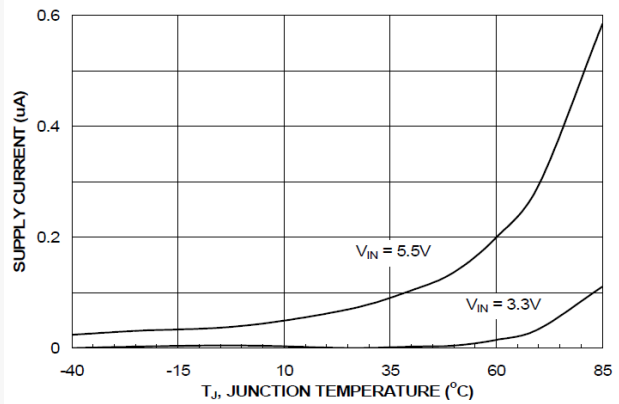


Figure 7. I_{SWITCH-OFF} Current vs. Temperature

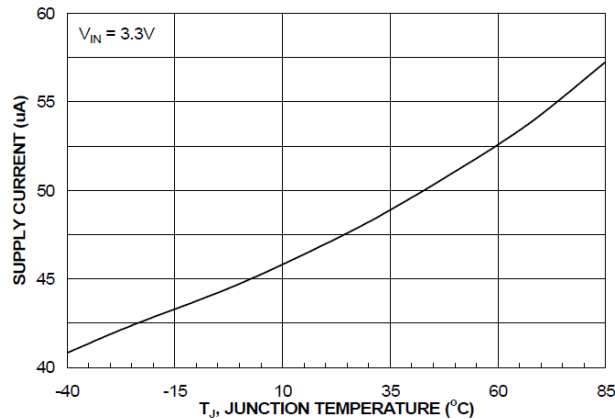


Figure 8. Latch-off Current vs. Temperature

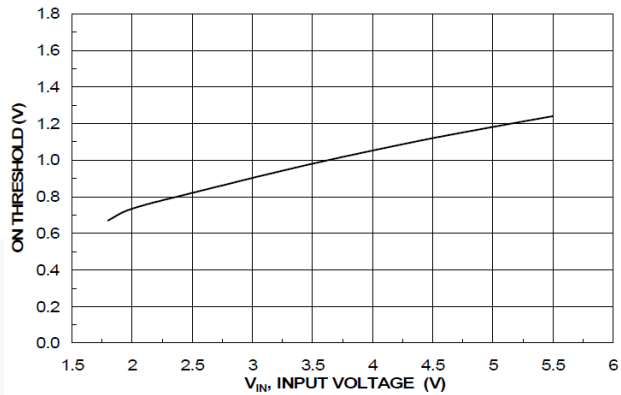


Figure 9. Input Voltage vs. On Threshold Voltage

Typical Performance Characteristics

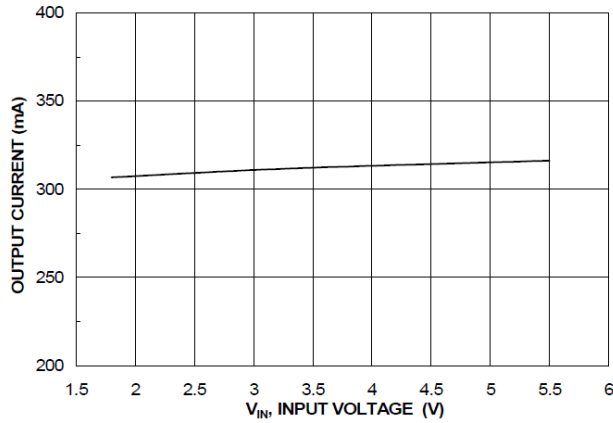


Figure 10. Current Limit vs. Output Voltage

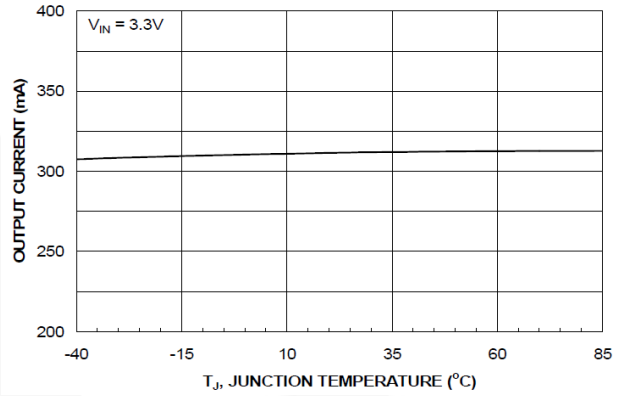


Figure 11. Current Limit vs. Temperature

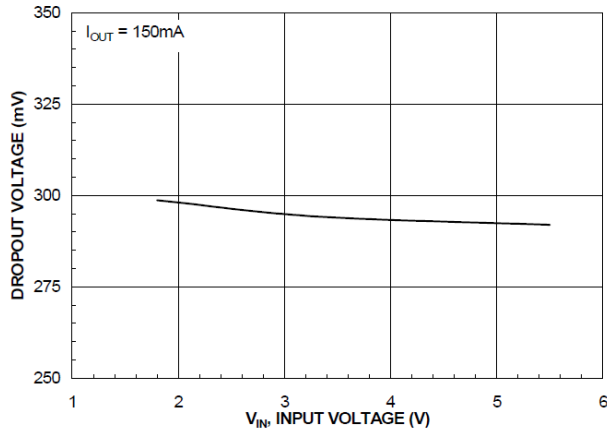


Figure 12. Drop Voltage vs. Input Voltage

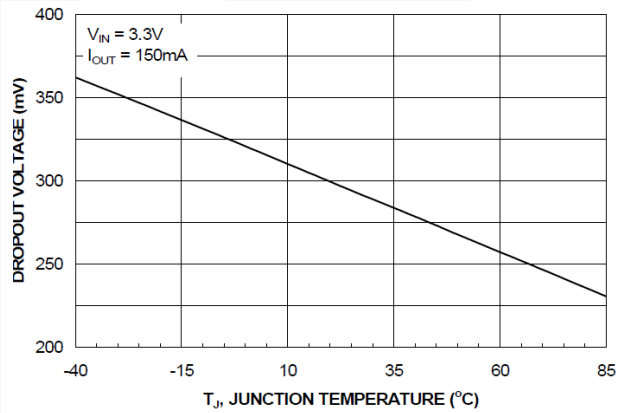


Figure 13. Drop Voltage vs. Temperature

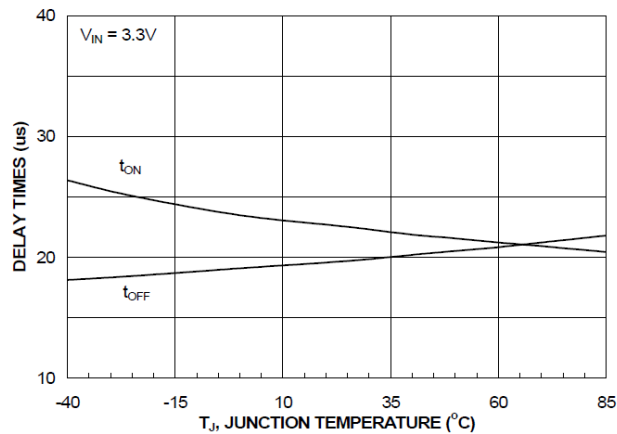


Figure 14. t_{ON}/t_{OFF} vs. Temperature

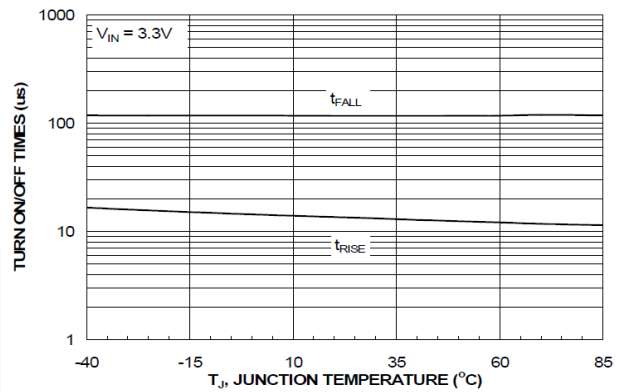


Figure 15. t_{RISE}/t_{FALL} vs. Temperature

Typical Performance Characteristics

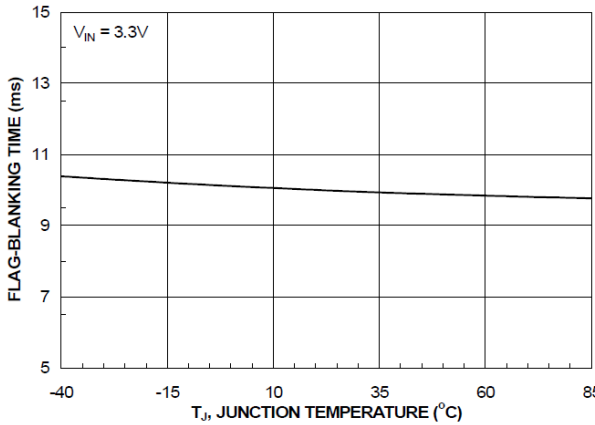


Figure 16. t_{BLANK} vs. Temperature

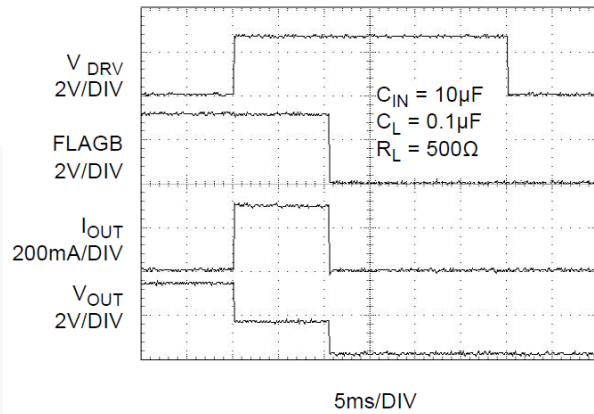


Figure 17. t_{BLANK} Response

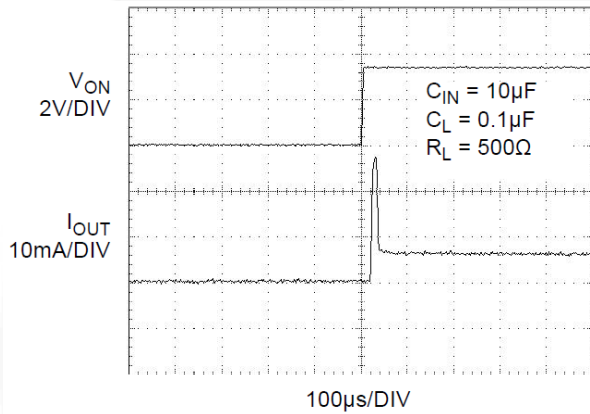


Figure 18. t_{ON} Response

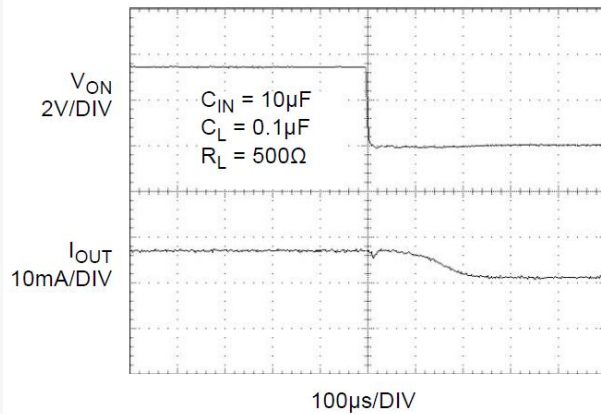


Figure 19. t_{OFF} Response

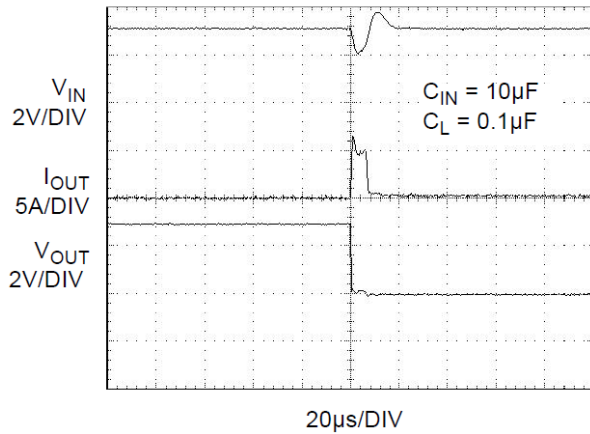


Figure 20. Short Circuit Response Time (Output Shorted to GND)

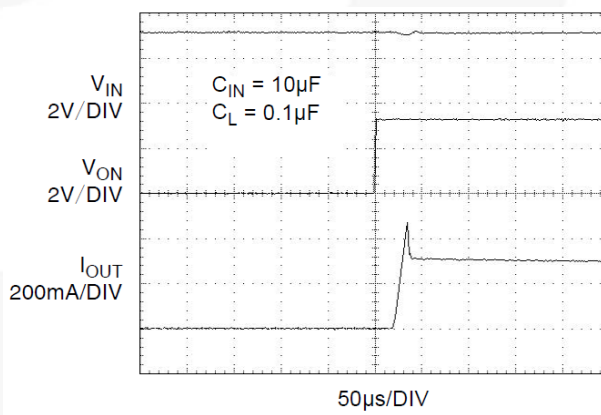


Figure 21. Current Limit Response Time (Output has a 4.7 Ω load)

Description of Operation

The FPF2172 is a current limited switch that protects systems and loads which can be damaged or disrupted by the application of high currents. The core of the device is a 0.125 Ω P-channel MOSFET and a controller capable of functioning over a wide input operating range of 1.8-5.5 V paired with a low forward voltage drop Schottky diode for reverse blocking. The controller protects against system malfunctions through current limiting, under-voltage lockout and thermal shutdown. The current limit is preset for 200 mA.

On/Off Control

The ON pin controls the state of the switch. Activating ON continuously holds the switch in the ON state so long as there is no under-voltage on V_{IN} or a junction temperature in excess of 150°C. ON is active HI and has a low threshold making it capable of interfacing with low voltage signals. When the MOSFET is off, the Schottky diode acts as a barrier so that no reverse current can flow when V_{OUT} is greater than V_{IN} .

Fault Reporting

Upon the detection of an over-current, an input under-voltage, or an over-temperature condition, the FLAGB signals the fault mode by activating LO. The FLAGB goes LO at the end of the blanking time and is latched LO and ON must be toggled to release it. FLAGB is an open-drain MOSFET which requires a pull-up resistor between V_{IN} and FLAGB. During shutdown, the pull-down on FLAGB is disabled to reduce current draw from the supply.

Current Limiting

The current limit guarantees that the current through the switch doesn't exceed a maximum value while not limiting at less than a minimum value. The minimum current is 200 mA and the maximum current is 400 mA. The device has a blanking time of 10 ms, nominally, during which the switch will act as a constant current source. At the end of the blanking time, the switch will be turned-off and the FLAGB pin will activate to indicate that current limiting has occurred.

Under-Voltage Lockout (UVLO)

The under-voltage lockout turns-off the switch if the input voltage drops below the under-voltage lockout threshold. With the ON pin active the input voltage rising above the under-voltage lockout threshold will cause a controlled turn-on of the switch which limits current overshoots.

Thermal Shutdown

The thermal shutdown protects the die from internally or externally generated excessive temperatures. During an over-temperature condition the FLAGB is activated and the switch is turned-off. The switch automatically turns-on again if temperature of the die drops below the threshold temperature.

Applications Information

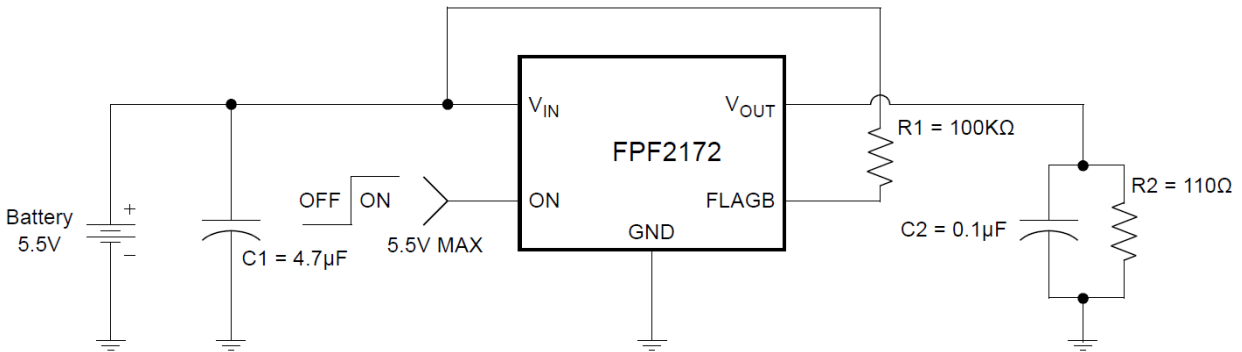


Figure 22. Typical Application

Input Capacitor

To limit the voltage drop on the input supply caused by transient in-rush currents when the switch turns-on into a discharged load capacitor or a short-circuit, a capacitor needs to be placed between V_{IN} and GND. A $4.7\ \mu\text{F}$ ceramic capacitor, C_{IN} , must be placed close to the V_{IN} pin. A higher value of C_{IN} can be used to further reduce the voltage drop experienced as the switch is turned on into a large capacitive load.

Output Capacitor

A $0.1\ \mu\text{F}$ capacitor C_{OUT} , should be placed between V_{OUT} and GND. This capacitor will prevent parasitic board inductances from forcing V_{OUT} below GND when the switch turns-off.

Power Dissipation

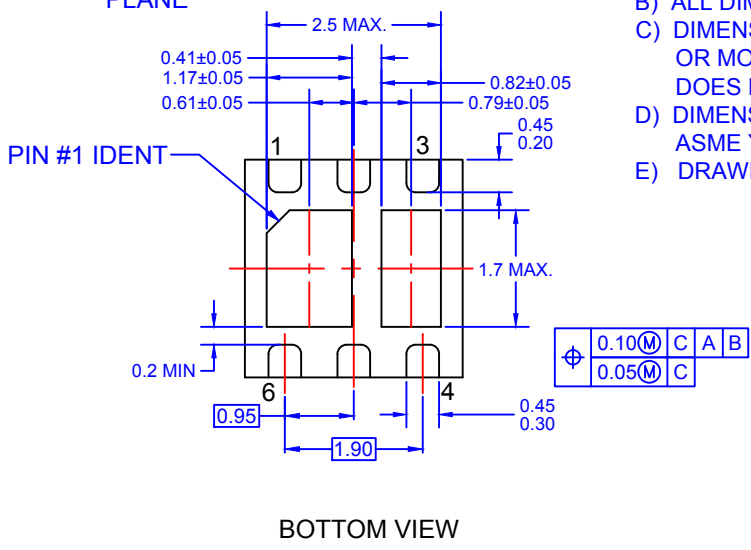
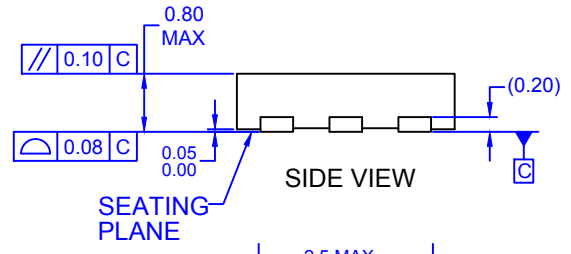
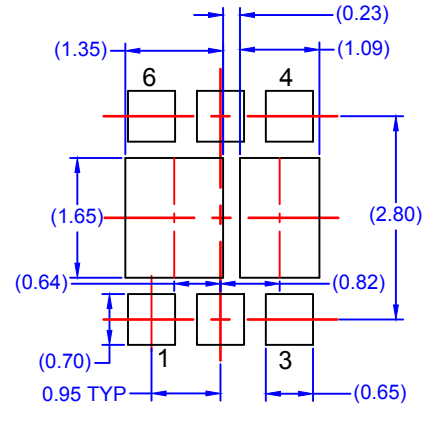
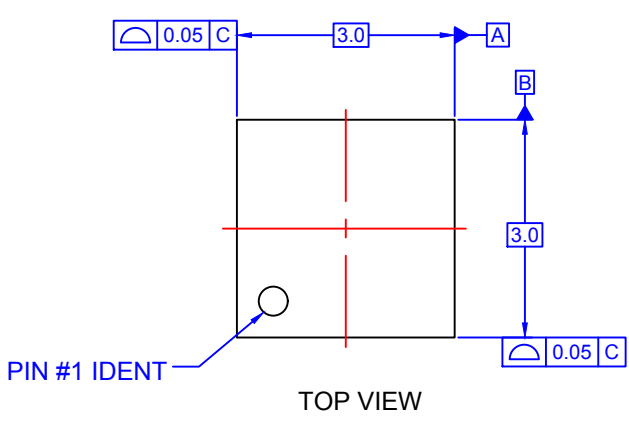
During normal operation as a switch, the power dissipation is small and has little effect on the operating temperature of the part. The parts with the higher current limits will dissipate the most power and that will only be typically:

$$P = I_{LIM} \times V_{DROP} = 0.4 \times 0.4 = 160\text{mW} \quad (1)$$

When using the part, attention must be given to the manual resetting of the part. Continuously resetting the part at a high duty cycle when a short on the output is present can cause the temperature of the part to increase. The junction temperature will only be allowed to increase to the thermal shutdown threshold. Once this temperature has been reached, toggling ON will not turn-on the switch until the junction temperature drops.

Board Layout

For best performance, all traces should be as short as possible. To be most effective, the input and output capacitors should be placed close to the device to minimize the effects that parasitic trace inductances may have on normal and short-circuit operation. Using wide traces for V_{IN} , V_{OUT} and GND will help minimize parasitic electrical effects along with minimizing the case to ambient thermal impedance.



- NOTES: UNLESS OTHERWISE SPECIFIED
- A) CONFORMS TO JEDEC REGISTRATION, MO-229, VARIATION WEEA
 - B) ALL DIMENSIONS ARE IN MILLIMETERS.
 - C) DIMENSIONS DO NOT INCLUDE BURRS OR MOLD FLASH. MOLD FLASH OR BURRS DOES NOT EXCEED 0.10MM.
 - D) DIMENSIONING AND TOLERANCING PER ASME Y14.5M-2009.
 - E) DRAWING FILE NAME: MKT-MLP06HREV2



ON Semiconductor and  are trademarks of Semiconductor Components Industries, LLC dba ON Semiconductor or its subsidiaries in the United States and/or other countries. ON Semiconductor owns the rights to a number of patents, trademarks, copyrights, trade secrets, and other intellectual property. A listing of ON Semiconductor's product/patent coverage may be accessed at www.onsemi.com/site/pdf/Patent-Marking.pdf. ON Semiconductor reserves the right to make changes without further notice to any products herein. ON Semiconductor makes no warranty, representation or guarantee regarding the suitability of its products for any particular purpose, nor does ON Semiconductor assume any liability arising out of the application or use of any product or circuit, and specifically disclaims any and all liability, including without limitation special, consequential or incidental damages. Buyer is responsible for its products and applications using ON Semiconductor products, including compliance with all laws, regulations and safety requirements or standards, regardless of any support or applications information provided by ON Semiconductor. "Typical" parameters which may be provided in ON Semiconductor data sheets and/or specifications can and do vary in different applications and actual performance may vary over time. All operating parameters, including "Typicals" must be validated for each customer application by customer's technical experts. ON Semiconductor does not convey any license under its patent rights nor the rights of others. ON Semiconductor products are not designed, intended, or authorized for use as a critical component in life support systems or any FDA Class 3 medical devices or medical devices with a same or similar classification in a foreign jurisdiction or any devices intended for implantation in the human body. Should Buyer purchase or use ON Semiconductor products for any such unintended or unauthorized application, Buyer shall indemnify and hold ON Semiconductor and its officers, employees, subsidiaries, affiliates, and distributors harmless against all claims, costs, damages, and expenses, and reasonable attorney fees arising out of, directly or indirectly, any claim of personal injury or death associated with such unintended or unauthorized use, even if such claim alleges that ON Semiconductor was negligent regarding the design or manufacture of the part. ON Semiconductor is an Equal Opportunity/Affirmative Action Employer. This literature is subject to all applicable copyright laws and is not for resale in any manner.

PUBLICATION ORDERING INFORMATION

LITERATURE FULFILLMENT:

Literature Distribution Center for ON Semiconductor
19521 E. 32nd Pkwy, Aurora, Colorado 80011 USA
Phone: 303-675-2175 or 800-344-3860 Toll Free USA/Canada
Fax: 303-675-2176 or 800-344-3867 Toll Free USA/Canada
Email: orderlit@onsemi.com

N. American Technical Support: 800-282-9855 Toll Free
USA/Canada
Europe, Middle East and Africa Technical Support:
Phone: 421 33 790 2910
Japan Customer Focus Center
Phone: 81-3-5817-1050

ON Semiconductor Website: www.onsemi.com
Order Literature: <http://www.onsemi.com/orderlit>
For additional information, please contact your local
Sales Representative