



ON Semiconductor[®]

<http://onsemi.com>

LB1668

LB1668M

Monolithic Digital IC

2-Phase Unipolar

Brushless Motor Drivers

Overview

The LB1668 and LB1668M are 2-phase unipolar drive brushless motor drivers that feature a wide usable voltage range and a minimal number of required external components. They also support the formation of motor lock protection and automatic recovery circuits.

Features

- Output protection Zener diodes with variable breakdown voltages
 - When the Z1 and Z2 pins are open : $V_{OLM} = 57V$
 - When the Z1 and Z2 pins are shorted : $V_{OLM} = 32V$
 - An external Zener diode can be connected between Z1 and V_{CC} .
- Can support both 12V and 24V power supplies by changing an external resistor.
- Hall elements can be connected directly.
- 1.5A output current output transistors built in.
- Built-in rotation detection function that outputs low when driven and high when stopped.
- Motor lock protection and automatic recovery functions built in.
- Thermal shutdown function.

LB1668, 1668M

Specifications

Absolute Maximum Ratings at $T_a = 25^\circ\text{C}$

Parameter	Symbol	Conditions	Ratings	Unit
Maximum input current	I_{CC} max	$t \leq 20\text{ms}$	200	mA
Output supply voltage	V_{OUT}		Internal	V
Output current	I_{OUT}		1.5	A
RD/FG flow-in current	I_{RD}/I_{FG}		10	mA
RD/FG supply voltage	V_{RD}/V_{FG}		30	V
Allowable power dissipation	P_d max	LB1668M : With specified board*	0.8	W
		LB1668	1.1	W
Operating temperature	T_{opr}		-30 to +80	$^\circ\text{C}$
Storage temperature	T_{stg}		-55 to +150	$^\circ\text{C}$

* Specified board : 20mm × 15mm × 1.5mm, glass epoxy

Stresses exceeding Maximum Ratings may damage the device. Maximum Ratings are stress ratings only. Functional operation above the Recommended Operating Conditions is not implied. Extended exposure to stresses above the Recommended Operating Conditions may affect device reliability.

Allowable Operating Conditions at $T_a = 25^\circ\text{C}$

Parameter	Symbol	Conditions	Ratings	Unit
Input current range	I_{CC}		6.0 to 50	mA
Common-mode input voltage range	V_{ICM}		0 to $V_{IN}-1.5$	V

Electrical Characteristics at $T_a = 25^\circ\text{C}$, $I_{CC} = 10\text{mA}$

Parameter	Symbol	Conditions	Ratings			Unit
			min	typ	max	
Output limit voltage	V_{OLM1}	Z1, Z2 open	54	57	60	V
	V_{OLM2}	Z1, Z2 short	31	33	35	V
Output saturation voltage	$V_O(\text{sat})1$	$I_O = 0.5\text{A}$		0.95	1.2	V
	$V_O(\text{sat})2$	$I_O = 1.0\text{A}$		1.15	1.5	V
	$V_O(\text{sat})3$	$I_O = 1.5\text{A}$		1.4	2.0	V
V_{IN} input voltage	V_{IN}	$I_{CC} = 7.0\text{mA}$	6.4	6.7	7.0	V
Amp input offset voltage	V_{OFF}		-7.0	0	+7.0	mV
Amp input bias current	I_{BA}		-250			nA
RD output saturation voltage	$V_{RD}(\text{sat})$	$I_{RD} = 5\text{mA}$		0.1	0.3	V
C flow-out current	I_{C1}		2.1	3.0	3.9	μA
C discharge current	I_{C2}		0.31	0.44	0.59	μA
Comparator input threshold voltage	V_{TH1}		0.77	$0.8V_{IN}$	0.83	V
	V_{TH2}		0.42	$0.45V_{IN}$	0.48	V
Thermal shutdown current operating temperature	TSD	Design target value *		180		$^\circ\text{C}$
Thermal shutdown circuit hysteresis	ΔTSD	Design target value *		40		$^\circ\text{C}$

* Design target value and is not measured.

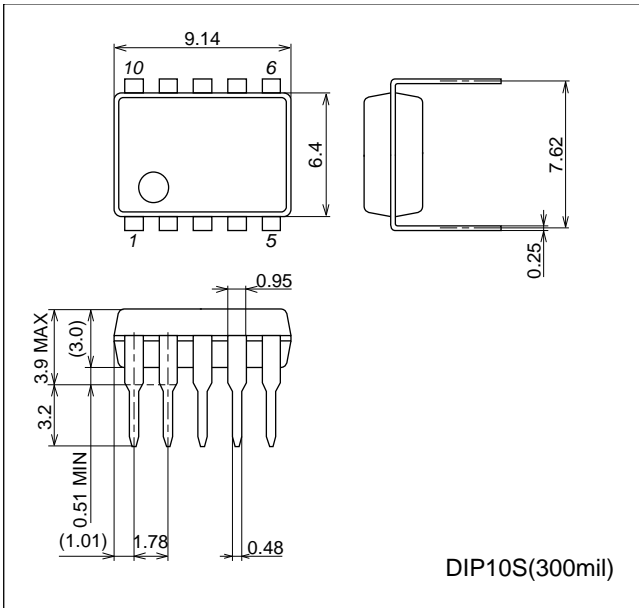
LB1668, 1668M

Package Dimensions

unit : mm (typ)

3098D

[LB1668]

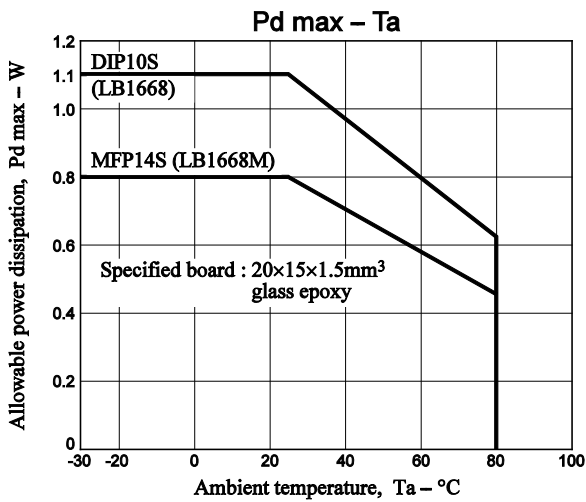
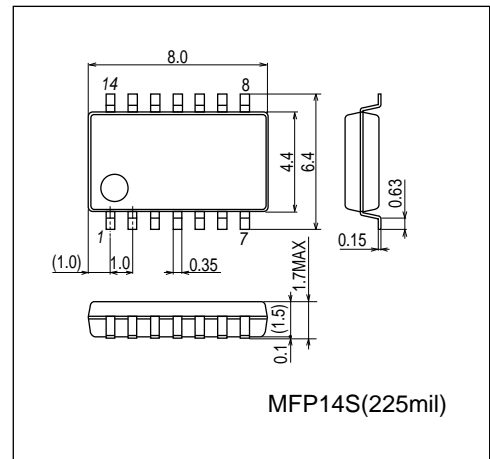


Package Dimensions

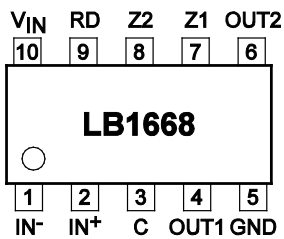
unit : mm (typ)

3111A

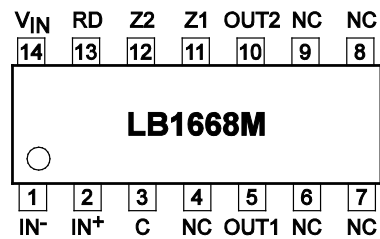
[LB1668M]



Pin Assignment



Top view



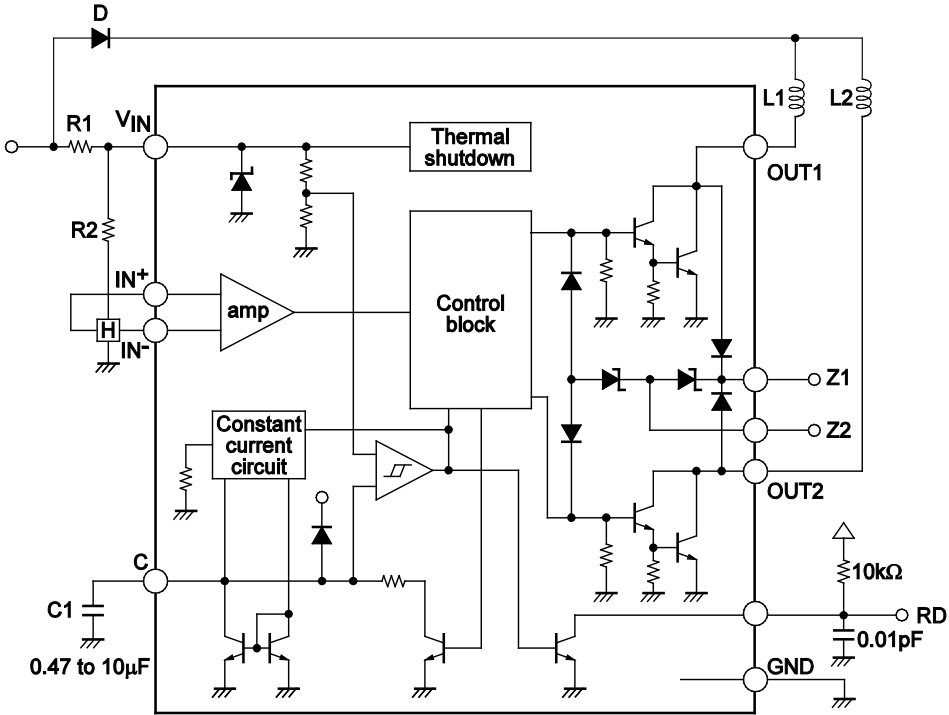
Top view

LB1668, 1668M

Truth Table

IN ⁺	IN ⁻	C	OUT1	OUT2	RD
H	L	L	H	L	L
L	H	L	L	H	L
H	L	H	H	H	H
L	H	H	H	H	H

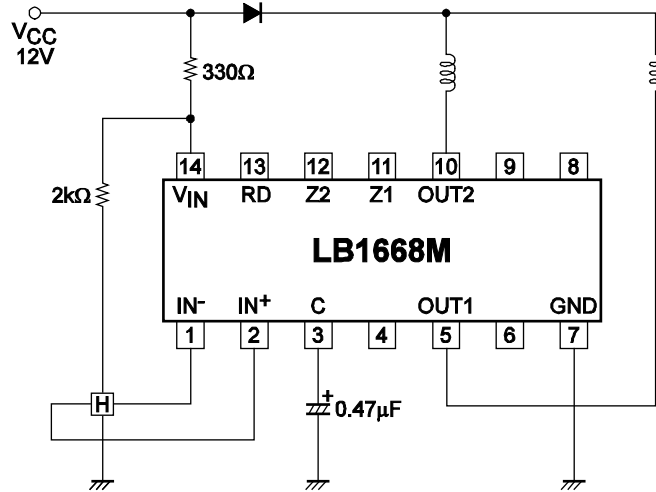
Block Diagram and Sample Application Circuit



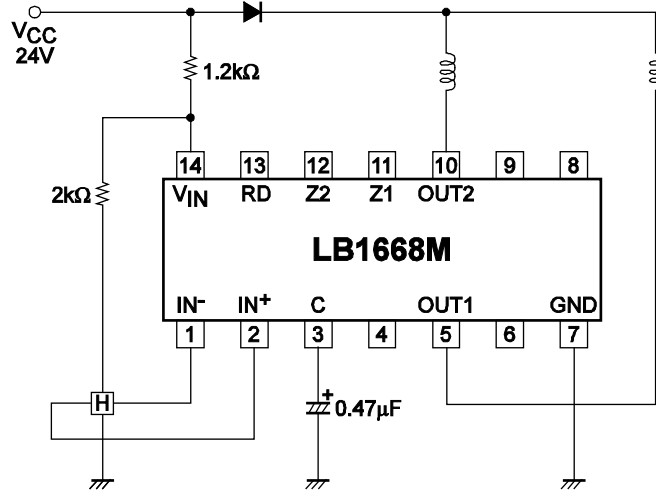
LB1668, 1668M

LB1668M Sample Application Circuits

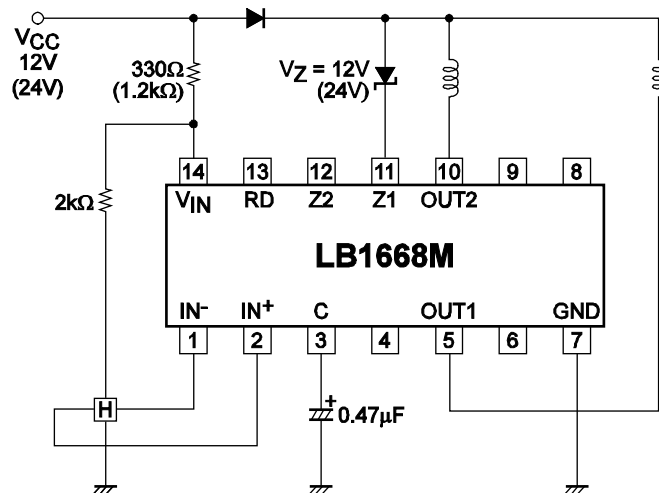
- 12V power supply type



- 24V power supply type



- Circuit for use when large output currents are required and heat dissipation is high.



Design Documentation (See the sample application circuits)(1) Power supply voltage (V_{IN} pin)

The resistor R1 (when $V_{CC} = 12V$, $R1 = 330\Omega$, and when $V_{CC} = 24$, $R1 =$ about $1.2k\Omega$) is inserted between V_{IN} and the power supply V_{CC} pin. When the I_{CC} current is set in the range 6 to 50mA, the V_{IN} pin will be regulated to be 6.7V. Not only does this provide stability with respect to power supply voltage variations and motor kickback, but it also provides adequate strength to withstand surges.

(2) Output transistors (OUT1 and OUT2 pins)

A Zener diodes with the following characteristics is inserted between the collector and base of each output transistor to absorb kickback voltages at 57V (typical) and provide output protection.

Sustained output voltage : $V_O = 65V$ minimum (design guarantee)

Output current : $I_O = 1.5A$ maximum

Output saturation voltage : $V_O \text{ sat} = 1.25V/1.0A$ (typical)

Safe operating range : $I_O = 1.0A$, $V_{OLM} = 57V$, $t = 200\mu s$

(3) Output circuit kickback voltage protection (Z1 and Z2 pins)

These ICs support output protection that minimizes kickback noise by changing the kickback absorption voltage and absorption method according to the output current and power supply voltage used.

1) When the Z1 and Z2 pins are shorted

The output protection voltage will be 32V (typical) using a $V_{CC} = 12V$ power supply.

2) When the Z1 and Z2 pins are open

The output protection voltage will be 57V (typical) using a $V_{CC} = 24V$ power supply.

3) With a Zener diode inserted between Z1 and V_{CC} or between Z1 and ground

This technique handles 120mm square H speed applications which require large output currents and involve large amounts of heat generated in the IC by dissipating the motor coil switching loss in external Zener diodes.

(4) Output protection when the motor is lock (C and FG pins)

This circuit detects motor stopping due to, for example, overloading, and cuts the coil current. It also automatically recovers drive and motor turning from the output stopped state when the load returns to an appropriate level. The lock detection time is set with the value of an external capacitor.

When $C = 0.47\mu F$

Lock detection time : about 1 second

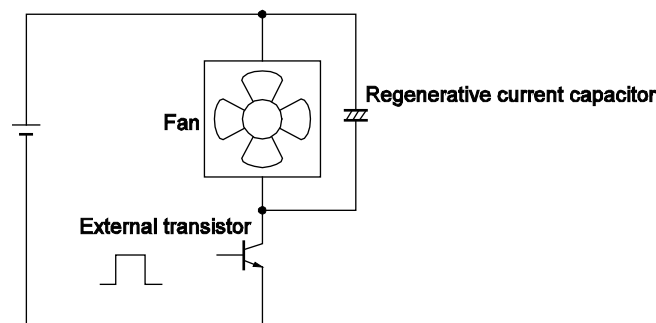
Lock protection time (output on) : about 0.5 second

(output off) : about 3 seconds

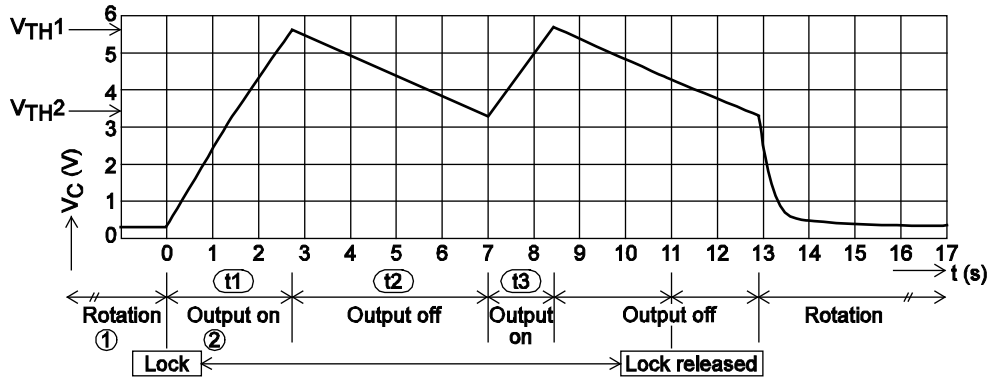
The RD pin is an open collector output and outputs a low level during drive and a high level when stopped.

(5) Thermal shutdown

This circuit turns the output off in response to coil shorting or IC overheating.

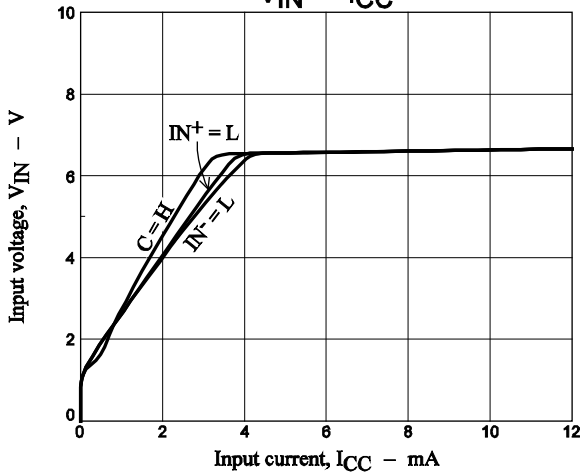
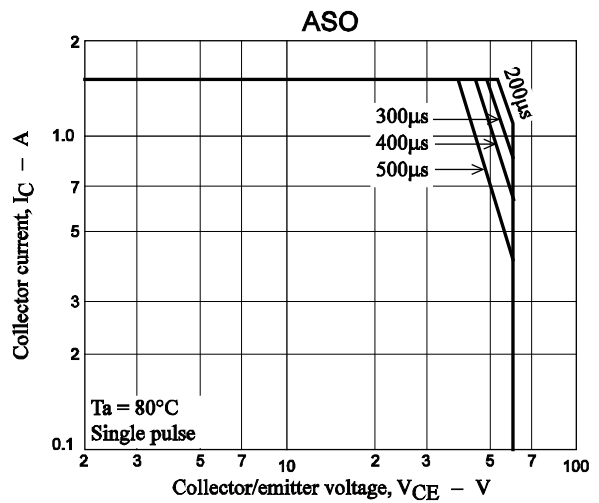
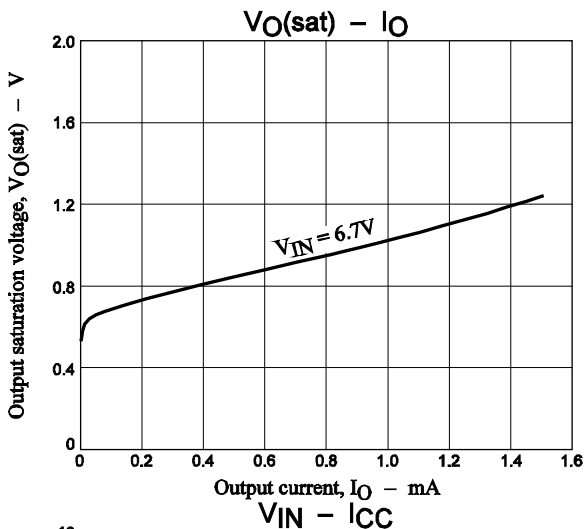
(6) In applications that use an external transistor to turn the cooling fan power on and off, connect a capacitor of about 0.47 to $10\mu F$ between the fan power supply V_{CC} and ground to provide a regenerative route for the fan motor coil current.

Automatic Recovery Circuit C-pin Voltage



Automatic return circuit C pin voltage

- 1) While the blades are turning, the capacitor is charged with a current of about $3\mu\text{A}$ (typical), and C is discharged by pulses that correspond to the motor speed.
- 2) When the blades lock, the capacitor is no longer discharged, and the voltage across the capacitor increases. The output is turned off when that voltage reaches $0.8 \times V_{IN}$.
- 3) When the output is turned off, the capacitor is discharged at about $0.44\mu\text{A}$ (typical). When the capacitor voltage falls under V_{TH2} , if the lock state is not yet cleared the capacitor continues discharging until V_{TH1} . (Note that the output is turned on at this time.)
These operations, i.e. items 2. and 3., are repeated with a ton:toff ratio of about 1 : 6 to protect the motor.
- 4) If the lock is cleared at the point the capacitor voltage reaches V_{TH2} , motor rotation is started by turning the output on.



ORDERING INFORMATION

Device	Package	Wire bond	Shipping (Qty / Packing)
LB1668M-TLM-E	MFP14S (225mil) (Pb-Free)	Au-wire	90 / Fan-Fold
LB1668M-TLM-H	MFP14S (225mil) (Pb-Free/ Halogen Free)	Au-wire	90 / Fan-Fold
LB1668M-W-AH	MFP14S (225mil) (Pb-Free/ Halogen Free)	Cu-wire	90 / Fan-Fold

ON Semiconductor and the ON logo are registered trademarks of Semiconductor Components Industries, LLC (SCILLC). SCILLC owns the rights to a number of patents, trademarks, copyrights, trade secrets, and other intellectual property. A listing of SCILLC's product/patent coverage may be accessed at www.onsemi.com/site/pdf/Patent-Marking.pdf. SCILLC reserves the right to make changes without further notice to any products herein. SCILLC makes no warranty, representation or guarantee regarding the suitability of its products for any particular purpose, nor does SCILLC assume any liability arising out of the application or use of any product or circuit, and specifically disclaims any and all liability, including without limitation special, consequential or incidental damages. "Typical" parameters which may be provided in SCILLC data sheets and/or specifications can and do vary in different applications and actual performance may vary over time. All operating parameters, including "Typicals" must be validated for each customer application by customer's technical experts. SCILLC does not convey any license under its patent rights nor the rights of others. SCILLC products are not designed, intended, or authorized for use as components in systems intended for surgical implant into the body, or other applications intended to support or sustain life, or for any other application in which the failure of the SCILLC product could create a situation where personal injury or death may occur. Should Buyer purchase or use SCILLC products for any such unintended or unauthorized application, Buyer shall indemnify and hold SCILLC and its officers, employees, subsidiaries, affiliates, and distributors harmless against all claims, costs, damages, and expenses, and reasonable attorney fees arising out of, directly or indirectly, any claim of personal injury or death associated with such unintended or unauthorized use, even if such claim alleges that SCILLC was negligent regarding the design or manufacture of the part. SCILLC is an Equal Opportunity/Affirmative Action Employer. This literature is subject to all applicable copyright laws and is not for resale in any manner.