



ON Semiconductor®

<http://onsemi.com>

LC749402BG

CMOS IC

Silicon gate LCD Picture Quality Improvement IC

Overview

LC749402BG is a picture quality improvement IC that processes the output signals to the LCD panel for high picture quality display. This IC performs various picture quality adjustments to provide the ideal correction for the display panel.

It can support up to WVGA/SVGA panels. *

Features

(1) Digital input/output

- Digital YCbCr/YPbPr 24bit (4:4:4) or 16bit (4:2:2) or 8bit(ITU-R BT.656) signal input
- Digital RGB 24bit signal input
- Digital RGB 18bit/24bit signal output
- Digital YCbCr16bit (4:2:2)/24bit (4:4:4) signal output

(2) Image quality correction

- Y image quality correction: luminance adjustment, contour correction, CDEX (Color Depth Expander), dynamic- γ , black/white stretch
- C image quality correction: color exciter, flesh tone correction, hue, color gain
- RGB image quality correction: brightness, contrast, white balance, black balance, γ correction

(3) Panel interface

- Built-in panel driver timing controller
- Panel protection timing signal generation
- Backlight control PWM (video adaptive low power consumption processing)

*: The LC749402BG video input should satisfy the following conditions:

40MHz or less operating frequency, 896 dots or less horizontal size, 768 lines or less vertical size.

LSI Specifications

- Supply voltage Core: 1.2V
I/O: 1.8V/2.85V/3.3V
- Maximum operating frequency: 40MHz
- Package: FBGA96

Principal Applications

- LCD display equipment

CDEX (Color Depth Expander)



Original



CDEX

Specifications

Absolute Maximum Ratings at $T_a = 25^\circ\text{C}$, $DV_{SS} = 0\text{V}$, $AV_{SS_OSC} = 0\text{V}$

Parameter	Symbol	Conditions	Ratings	Unit
Maximum supply voltage (I/O)	DV_{DD_IO}		-0.3 to +3.96	V
Maximum supply voltage (core)	DV_{DD_CORE} AV_{DD_OSC}		-0.3 to +1.8	V
Digital input voltage	V_I		-0.3 to $DV_{DD_IO}+0.3$	V
Digital output voltage	V_O		-0.3 to $DV_{DD_IO}+0.3$	V
Operating temperature	T_{opr}		-40 to +85	$^\circ\text{C}$
Storage temperature	T_{stg}		-55 to +125	$^\circ\text{C}$

Stresses exceeding Maximum Ratings may damage the device. Maximum Ratings are stress ratings only. Functional operation above the Recommended Operating Conditions is not implied. Extended exposure to stresses above the Recommended Operating Conditions may affect device reliability.

Allowable Operating Ranges at $T_a = -40$ to $+85^\circ\text{C}$, $DV_{SS} = 0\text{V}$, $AV_{SS_OSC} = 0\text{V}$

Parameter	Symbol	Conditions	Ratings			unit
			min	typ	max	
Supply voltage (I/O)	DV_{DD_IO}		2.6	2.85	3.6	V
			1.7	1.8	1.9	V
Supply voltage (I/O)	DV_{DD_CORE} AV_{DD_OSC}		1.0	1.2	1.3	V
Input voltage range	V_{IN}		0		DV_{DD_IO}	V

LC749402BG

DC Characteristics at $T_a = -40$ to $+85^\circ\text{C}$, $DV_{SS} = 0\text{V}$, $AV_{SS_OSC} = 0\text{V}$,

$DV_{DD_IO} = 1.7\text{V}$ to 1.9V or 2.6V to 3.6V , $DV_{DD_CORE} = 1.0\text{V}$ to 1.3V

Parameter	Symbol	Conditions	Ratings			unit
			min	typ	max	
Input high-level voltage	V_{IH}	CMOS level inputs	$0.7DV_{DD_IO}$			V
		CMOS level Schmitt inputs	$0.7DV_{DD_IO}$			V
Input low-level voltage	V_{IL}	CMOS level inputs			$0.3DV_{DD_IO}$	V
		CMOS level Schmitt inputs			$0.3DV_{DD_IO}$	V
Input high-level current	I_{IH}	$V_I = DV_{DD_IO}$			10	μA
		$V_I = DV_{DD_IO}$, with pull-down resistance			100	μA
Input low-level current	I_{IL}	$V_I = DV_{SS}$	-10			μA
Output high-level voltage	V_{OH}	CMOS voltage: 2.6V to 3.6V Pin D: $I_{OH} = -2\text{mA}$ Pin F: $I_{OH} = -2\text{mA}$ (when set to 2mA) $I_{OH} = -4\text{mA}$ (when set to 4mA) Pin G: $I_{OH} = -4\text{mA}$ (when set to 4mA) $I_{OH} = -8\text{mA}$ (when set to 8mA) Pin H: $I_{OH} = -4\text{mA}$	$DV_{DD_IO} - 0.4$			V
		CMOS voltage: 1.7V to 1.9V Pin D: $I_{OH} = -1\text{mA}$ Pin F: $I_{OH} = -1\text{mA}$ (when set to 2mA) $I_{OH} = -2\text{mA}$ (when set to 4mA) Pin G: $I_{OH} = -2\text{mA}$ (when set to 4mA) $I_{OH} = -4\text{mA}$ (when set to 8mA) Pin H: $I_{OH} = -2\text{mA}$	$DV_{DD_IO} - 0.45$			V
Output low-level voltage	V_{OL}	CMOS			0.4	V
Output leak current	I_{OZ}	At output of high-impedance	-10		10	μA
Pull-down resistor	R_{DN}	Typical conditions: $T_a = 25^\circ\text{C}$ $DV_{DD_IO} = 2.85\text{V}$ $DV_{DD_CORE} = 1.2\text{V}$		98		$\text{k}\Omega$
Dynamic supply current	I_{DDOP}	Typical conditions: $T_a = 25^\circ\text{C}$ $DV_{DD_IO} = 2.85\text{V}$ $DV_{DD_CORE} = 1.2\text{V}$ tck=10MHz 10 steps		18		mA
		Typical conditions: $T_a = 25^\circ\text{C}$ $DV_{DD_IO} = 2.85\text{V}$ $DV_{DD_CORE} = 1.2\text{V}$ tck=40MHz 10 steps		57		mA
Static supply current *1	I_{DDST}	Typical conditions: $T_a = 25^\circ\text{C}$ $DV_{DD_IO} = 2.85\text{V}$ $DV_{DD_CORE} = 1.2\text{V}$ Outputs open $V_I = DV_{SS}$ or DV_{DD_IO}		20		μA

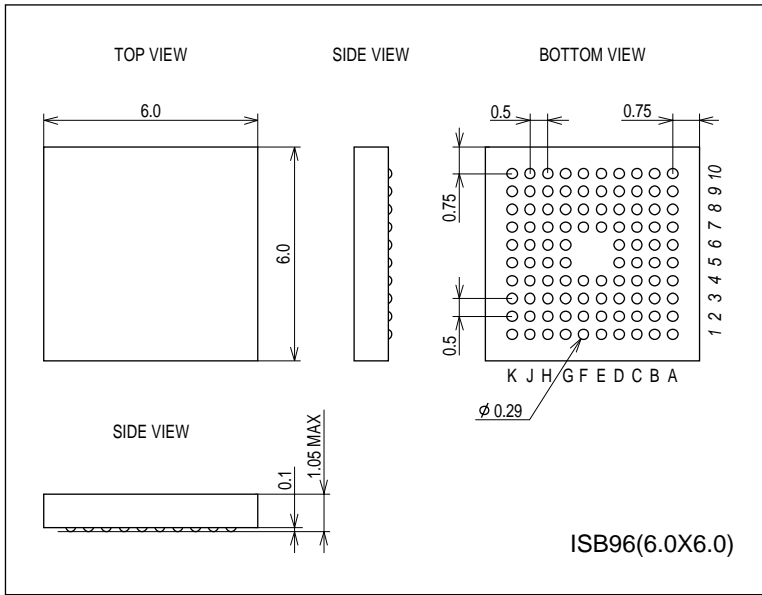
*1: There is a input terminal which builds in pull down resistance. Please note that there is no guarantee about static consumption current depending on circuit composition.

LC749402BG

Package Dimensions FBGA96

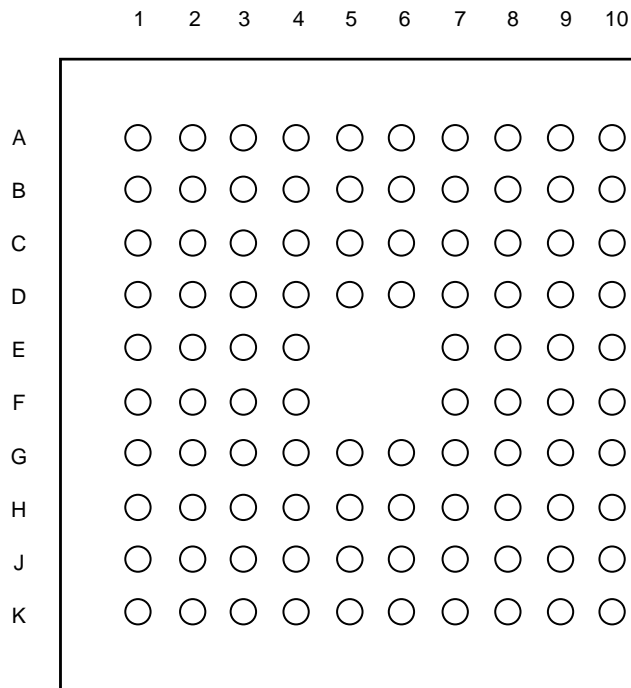
unit:mm (typ)

3387



Pin Assignment

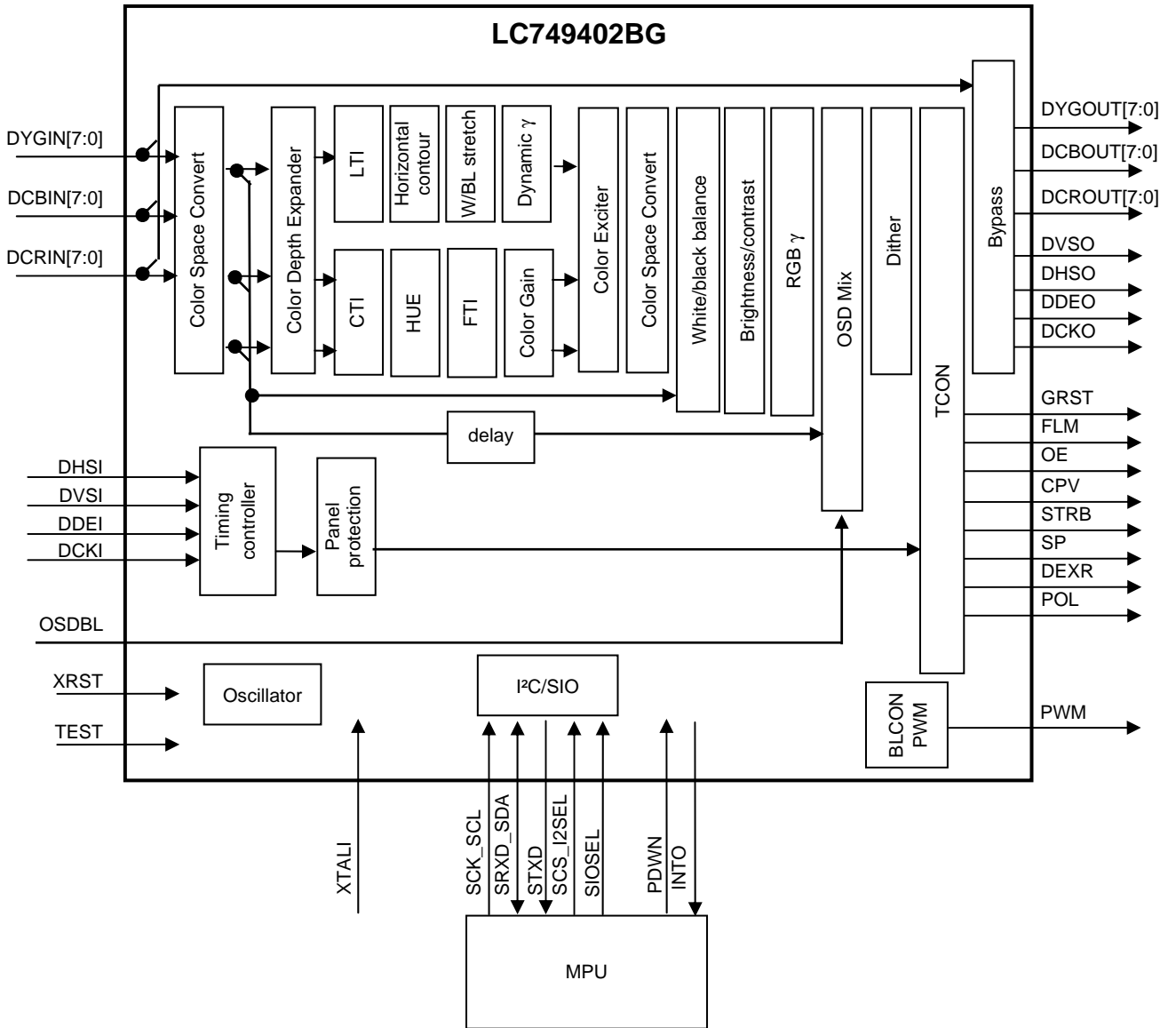
LC749402BG



Top view

LC749402BG

Block Diagram



LC749402BG

Pin Functions

Pin No.	Pin symbol	In/output format		Connecting destination		Remarks
		I/O	Format			
A1	AV _{DD} _OSC	P	-	Core voltage	Analog	Connect this pin to B2 without fail.
A2	STXD	O	D	CMOS	Digital	SIO data
A3	SCK_SCL	I	C	CMOS	Digital	Bus clock (common to SIO and I ² C)
A4	DBOUT7	O	F	CMOS	Digital	B/Cb/C video (MSB)
A5	DBOUT4	O	F	CMOS	Digital	B/Cb/C video
A6	DBOUT1	O	F	CMOS	Digital	B/Cb/C video
A7	DGOUT6	O	F	CMOS	Digital	G/Y video
A8	DGOUT4	O	F	CMOS	Digital	G/Y video
A9	DGOUT3	O	F	CMOS	Digital	G/Y video
A10	DV _{DD} _IO	P	-	IO voltage	Digital	Connect this pin to B9 without fail
B1	RC_BIAS	I	J	resistor	Analog	Bias resistor connection (Connect this pin to GND with a 20kΩ)
B2	AV _{DD} _OSC	P	-	Core voltage	Analog	
B3	SRXD_SDA	I/O	H	CMOS	Digital	SIO data input/I ² C data I/O
B4	PWM	O	D	CMOS	Digital	Pulse width modulation waveform
B5	DBOUT5	O	F	CMOS	Digital	B/Cb/C video
B6	DBOUT2	O	F	CMOS	Digital	B/Cb/C video (6-bit output mode, LSB)
B7	DGOUT7	O	F	CMOS	Digital	G/Y video (MSB)
B8	DGOUT5	O	F	CMOS	Digital	G/Y video
B9	DV _{DD} _IO	P	-	IO voltage	Digital	
B10	DGOUT2	O	F	CMOS	Digital	G/Y video (6-bit output mode, LSB)
C1	DCRIN0	I	C	CMOS	Digital	R/Cr video. Connect this pin to GND when not to be used.
C2	DCRIN1	I	C	CMOS	Digital	R/Cr video. Connect this pin to GND when not to be used.
C3	AV _{SS} _OSC	P	-	GND	Analog	
C4	INTO	O	D	CMOS	Digital	Interrupt
C5	DBOUT6	O	F	CMOS	Digital	B/Cb/C video
C6	DBOUT3	O	F	CMOS	Digital	B/Cb/C video
C7	DBOUT0	O	F	CMOS	Digital	B/Cb/C video (8-bit output mode, LSB)
C8	DV _{DD} _IO	P	-	IO voltage	Digital	
C9	DGOUT1	O	F	CMOS	Digital	G/Y video
C10	DGOUT0	O	F	CMOS	Digital	G/Y video (8-bit output mode, LSB)
D1	DCRIN2	I	C	CMOS	Digital	R/Cr video. Connect this pin to GND when not to be used.
D2	DCRIN3	I	C	CMOS	Digital	R/Cr video. Connect this pin to GND when not to be used.
D3	DCRIN4	I	C	CMOS	Digital	R/Cr video. Connect this pin to GND when not to be used.
D4	TEST	I	B	CMOS	Digital	Test (Normally, connect this pin to GND)
D5	XRST	I	A	CMOS	Digital	System reset ("L" reset)
D6	DV _{DD} _IO	P	-	IO voltage	Digital	
D7	DV _{DD} _IO	P	-	IO voltage	Digital	
D8	DROUT7	O	F	CMOS	Digital	R/Cr video (MSB)
D9	DROUT6	O	F	CMOS	Digital	R/Cr video
D10	DROUT5	O	F	CMOS	Digital	R/Cr video

Continued on next page.

LC749402BG

Continued from preceding page.

Pin No.	Pin symbol	In/output format		Connecting destination		Remarks
		I/O	Format			
E1	DCRIN5	I	C	CMOS	Digital	R/Cr video. Connect this pin to GND when not to be used.
E2	DCRIN6	I	C	CMOS	Digital	R/Cr video. Connect this pin to GND when not to be used.
E3	DCRIN7	I	C	CMOS	Digital	R/Cr video (MSB). Connect this pin to GND when not to be used.
E4	DV _{SS}	P	-	GND	Digital	
E7	PDWN	I	A	CMOS	Digital	"H" power down. Connect this pin to GND when not to be used.
E8	DROUT4	O	F	CMOS	Digital	R/Cr video
E9	DROUT3	O	F	CMOS	Digital	R/Cr video
E10	DROUT2	O	F	CMOS	Digital	R/Cr video (6-bit output mode, LSB)
F1	DYGIN0	I	C	CMOS	Digital	G/Y/656 video (LSB). Connect this pin to GND when not to be used.
F2	DYGIN1	I	C	CMOS	Digital	G/Y/656 video. Connect this pin to GND when not to be used.
F3	DYGIN2	I	C	CMOS	Digital	G/Y/656 video. Connect this pin to GND when not to be used.
F4	DV _{SS}	P	-	GND	Digital	
F7	DV _{DD_CORE}	P	-	Core voltage	Digital	
F8	DROUT1	O	F	CMOS	Digital	R/Cr video
F9	DROUT0	O	F	CMOS	Digital	R/Cr video (8-bit output mode, LSB)
F10	DCKO	O	G	CMOS	Digital	Video clock
G1	DYGIN3	I	C	CMOS	Digital	G/Y/656 video. Connect this pin to GND when not to be used.
G2	DYGIN4	I	C	CMOS	Digital	G/Y/656 video. Connect this pin to GND when not to be used.
G3	DYGIN5	I	C	CMOS	Digital	G/Y/656 video. Connect this pin to GND when not to be used.
G4	DV _{SS}	P	-	GND	Digital	
G5	SCS_I2SEL	I	A	CMOS	Digital	SIO chip enable/I ² C slave address switching
G6	SIOSEL	I	C	CMOS	Digital	"L": I ² C slave, "H": 4-wire SIO
G7	DV _{DD_CORE}	P	-	Core voltage	Digital	
G8	DHSO/SP2	O	F	CMOS	Digital	Horizontal synchronizing signal/start pulse signal for source driver
G9	DVSO/FLM2	O	F	CMOS	Digital	Vertical synchronizing signal/start pulse signal for gate driver
G10	DDEO	O	F	CMOS	Digital	Data enable signal
H1	DYGIN6	I	C	CMOS	Digital	G/Y/656 video. Connect this pin to GND when not to be used.
H2	DYGIN7	I	C	CMOS	Digital	G/Y/656 video (MSB). Connect this pin to GND when not to be used.
H3	DV _{SS}	P	-	GND		
H4	DCBIN6	I	C	CMOS	Digital	B/Cb/C video. Connect this pin to GND when not to be used.
H5	DVSI	I	C	CMOS	Digital	Vertical synchronizing signal
H6	OSDBL	I	C	CMOS	Digital	Data enable signal for external OSD. Connect this pin to GND when not to be used.
H7	FLM	O	F	CMOS	Digital	Start pulse signal for gate driver
H8	DV _{DD_CORE}	P	-	Core voltage	Digital	
H9	DEXR	O	F	CMOS	Digital	Reversed video signal output for DTR. Low output when the DTR is OFF.
H10	POL	O	F	CMOS	Digital	Voltage polarity selection signal for source driver

Continued on next page.

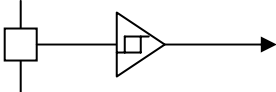
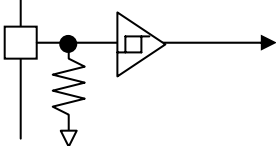
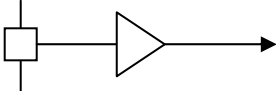
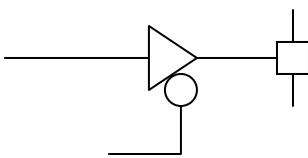
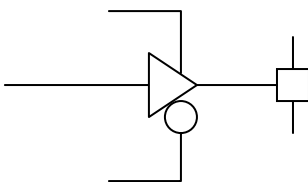
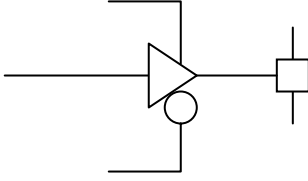
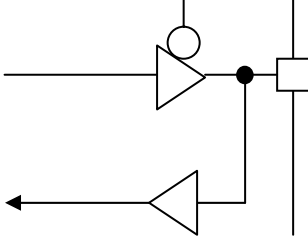
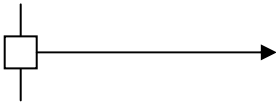
LC749402BG

Continued from preceding page.

Pin No.	Pin symbol	In/output format		Connecting destination		Remarks
		I/O	Format			
J1	DCBIN0	I	C	CMOS	Digital	B/Cb/C video (LSB). Connect to GND when not to be used.
J2	DV _{SS}	P	-	GND	Digital	
J3	DCBIN3	I	C	CMOS	Digital	B/Cb/C video. Connect this pin to GND when not to be used.
J4	DCBIN5	I	C	CMOS	Digital	B/Cb/C video. Connect this pin to GND when not to be used.
J5	DDEI	I	C	CMOS	Digital	Data enable signal, Connect this pin to GND in the internal generation mode
J6	DHSI	I	C	CMOS	Digital	Horizontal synchronizing signal
J7	GRST	O	F	CMOS	Digital	Reset signal for gate driver
J8	CPV	O	F	CMOS	Digital	Clock signal for gate driver
J9	DV _{DD_CORE}	P	-	Core voltage	Digital	
J10	SP	O	F	CMOS	Digital	Start pulse signal for source driver
K1	DV _{SS}	P	-	GND	Analog	Connect this pin to J2 without fail
K2	DCBIN1	I	C	CMOS	Digital	B/Cb/C video. Connect this pin to GND when not to be used.
K3	DCBIN2	I	C	CMOS	Digital	B/Cb/C video. Connect this pin to GND when not to be used.
K4	DCBIN4	I	C	CMOS	Digital	B/Cb/C video. Connect this pin to GND when not to be used.
K5	DCBIN7	I	C	CMOS	Digital	B/Cb/C video (MSB). Connect this pin to GND when not to be used.
K6	DCKI	I	C	CMOS	Digital	Video clock
K7	XTAL1	I	C	CMOS	Digital	Panel protection, PWM generation clock. Connect this pin to GND when not to be used.
K8	OE	O	F	CMOS	Digital	Output enable signal for gate driver
K9	STRB	O	F	CMOS	Digital	Data strobe signal for source driver
K10	DV _{DD_CORE}	P	-	Core voltage	Digital	Connect this pin to J9 without fail

LC749402BG

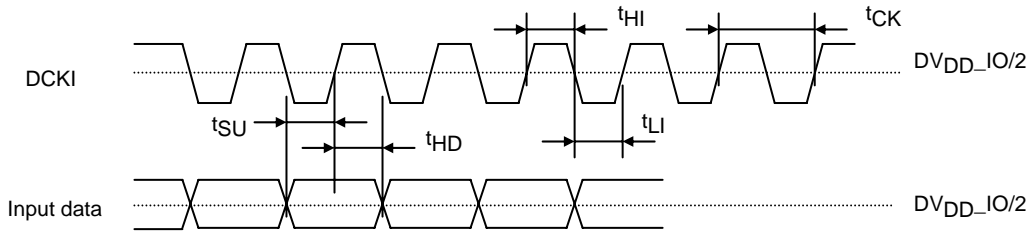
Pin Type

In/Output form	Function	Equivalent circuit	Application Terminal
A	Schmitt trigger CMOS input		XRST, PDWN, SCS_I2SEL
B	CMOS input with built-in pull-down resistor		TEST
C	CMOS input		SCK_SCL, SIOSEL, DVSI, DHSI, DDEI, OSDBL, DYGIN7, DYGIN6, DYGIN5, DYGIN4, DYGIN3, DYGIN2, DYGIN1, DYGIN0, DCBIN7, DCBIN6, DCBIN5, DCBIN4, DCBIN3, DCBIN2, DCBIN1, DCBIN0, DCRIN7, DCRIN6, DCRIN5, DCRIN4, DCRIN3, DCRIN2, DCRIN1, DCRIN0
D	2mA 3-STATE drive CMOS output		STXD, PWM, INTO
F	2mA/4mA switching 3-STATE drive CMOS output		DBOUT7, DBOUT6, DBOUT5, DBOUT4, DBOUT3, DBOUT2, DBOUT1, DBOUT0, DROUT7, DROUT6, DROUT5, DROUT4, DROUT3, DROUT2, DROUT1, DROUT0 DGOUT7, DGOUT6, DGOUT5, DGOUT4, DGOUT3, DGOUT2, DGOUT1, DGOUT0, DHSO/SP2, DVSO/FLM2, DDEO FLM, DEXR, POL, GRST, CPV, SP, OE, STRB
G	4mA/8mA switching 3-STATE drive CMOS output		DCKO
H	4mA 3-STATE drive CMOS input/output		SRXD_SDA
J	Analog input/output		RC_BIAS

LC749402BG

I/O Timing

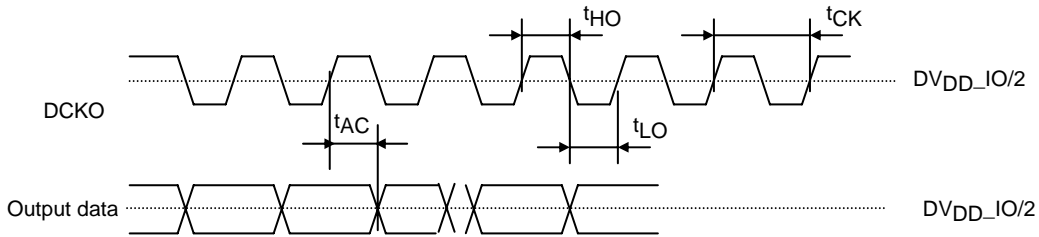
(1) Input data timing



Pin name	Parameter	Symbol	min	typ	max	unit
DCKI	Clock cycle	tCK	25			ns
	Duty			50		%
DCRIN*, DYGIN*, DCBIN*, DVSI, DHSI, DDEI, OSDBL	Input data setup time (DVDD_IO=2.6 to 3.6V)	tSU	3			ns
	Input data setup time (DVDD_IO=1.7 to 1.9V)	tSU	3			ns
	Input data hold time (DVDD_IO=2.6 to 3.6V)	tHD	2			ns
	Input data hold time (DVDD_IO=1.7 to 1.9V)	tHD	2			ns

*: The recommended duty cycle of input clock is 50%

(2) Output data timing



Pin name	Parameter	Symbol	min	typ	max	unit
DCKO	Clock cycle	tCK	25			ns
	Duty			50		%
DROUT*, DGOUT*, DBOUT*, DVSO, DHSO, DDEO, DEXR, POL, SP, STRB, CPV, OE, FLM, GRST	Output data delay time (DVDD_IO=2.6 to 3.6V) Pin F: when set to 4mA Pin G: when set to 8mA	tAC	-3		3	ns
	Output data delay time (DVDD_IO=2.6 to 3.6V) Pin F: when set to 2mA Pin G: when set to 4mA	tAC	-3		6	ns
	Output data delay time (DVDD_IO=1.7 to 1.9V) Pin F: when set to 4mA Pin G: when set to 8mA	tAC	-5		4	ns
	Output data delay time (DVDD_IO=1.7 to 1.9V) Pin F: when set to 2mA Pin G: when set to 4mA	tAC	-6		9	ns

* When DCKO is set to the forward rotation output. Output load capacity: 5pF

ON Semiconductor and the ON logo are registered trademarks of Semiconductor Components Industries, LLC (SCILLC). SCILLC owns the rights to a number of patents, trademarks, copyrights, trade secrets, and other intellectual property. A listing of SCILLC's product/patent coverage may be accessed at www.onsemi.com/site/pdf/Patent-Marking.pdf. SCILLC reserves the right to make changes without further notice to any products herein. SCILLC makes no warranty, representation or guarantee regarding the suitability of its products for any particular purpose, nor does SCILLC assume any liability arising out of the application or use of any product or circuit, and specifically disclaims any and all liability, including without limitation special, consequential or incidental damages. "Typical" parameters which may be provided in SCILLC data sheets and/or specifications can and do vary in different applications and actual performance may vary over time. All operating parameters, including "Typicals" must be validated for each customer application by customer's technical experts. SCILLC does not convey any license under its patent rights nor the rights of others. SCILLC products are not designed, intended, or authorized for use as components in systems intended for surgical implant into the body, or other applications intended to support or sustain life, or for any other application in which the failure of the SCILLC product could create a situation where personal injury or death may occur. Should Buyer purchase or use SCILLC products for any such unintended or unauthorized application, Buyer shall indemnify and hold SCILLC and its officers, employees, subsidiaries, affiliates, and distributors harmless against all claims, costs, damages, and expenses, and reasonable attorney fees arising out of, directly or indirectly, any claim of personal injury or death associated with such unintended or unauthorized use, even if such claim alleges that SCILLC was negligent regarding the design or manufacture of the part. SCILLC is an Equal Opportunity/Affirmative Action Employer. This literature is subject to all applicable copyright laws and is not for resale in any manner.