

LV3329PE

Electronic Volume IC for Car Audio System



ON Semiconductor®

www.onsemi.com

Overview

The LV3329PE is an electronic volume and tone IC that implements a rich set of audio control functions with a minimal number of external components. Functions include input selection switching, an input gain, volume, loudness, balance, fader, bass/mid/treble control, and fixed equalizer.

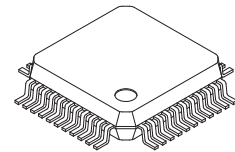
Features

- It is possible to eliminate from the external components of equalizer control block by SCF technology.
- Zero-cross switching circuits, soft steps (bass block and mid block) and soft mute circuits used for low noise even when input signals are present.
- Low power consumption due to the use of BiMOS process.
- All controls performed using serial data input (CCB*).

Functions

- Input selector :
Four of the input systems are single-end inputs, one uses differential inputs.
- Input gain control :
The input gain can be amplified by 0 to +19 dB (0 to 5 dB / 1.25 dB steps, 5 to 11 dB / 1.5 dB steps, 11 to 19 dB / 2 dB steps)
- Loudness control :
Taps are output starting at the -32 dB position of the ladder resistor and a loudness function implemented with external capacitor and resistor components.
- Volume control : 0 dB to -79 dB / -∞ (1 dB steps)
L/R independent control.
- Bass control:
The bass control gain can be maximum boost +15 dB position and maximum cut -15 dB position.
(0 dB / ±1.25 dB / ±2.75 dB / ±4.75 dB / ±7 dB / ±9.5 dB / ±12.25 dB / ±15 dB) SCF.
The bass control center frequency 60 Hz / 80 Hz / 100 Hz / 200 Hz can be selected.
The bass control quality factor 1.0/1.25/1.5/2.0 can be selected.

Continued on next page.



PQFP44 10x10 / QIP44M

* Computer Control Bus (CCB) is an ON Semiconductor's original bus format and the bus addresses are controlled by ON Semiconductor.

ORDERING INFORMATION

See detailed ordering and shipping information on page 31 of this data sheet.

LV3329PE

Continued from preceding page.

- **Middle control:**
 The middle control gain can be maximum boost +12.25 dB position and maximum cut -12.25 dB position.
 (0 dB / ±1.25 dB / ±2.75 dB / ±4.75 dB / ±7 dB / ±9.5 dB / ±12.25 dB) SCF.
 The middle control center frequency 600 Hz / 800 Hz / 1 kHz / 2 kHz can be selected.
 The middle control quality factor 1.0/1.25/1.5/2.0 can be selected.
 - **Treble control:**
 The treble control gain can be maximum boost +12.25 dB position and maximum cut -12.25 dB position.
 (0 dB / ±1.25 dB / ±2.75 dB / ±4.75 dB / ±7 dB / ±9.5 dB / ±12.25 dB) SCF.
 The treble control center frequency 8 kHz / 10 kHz / 12.5 kHz / 15 kHz can be selected.
 The treble control quality factor 1.0/1.25/1.5/2.0 can be selected.
 - **Fader control:** 0 dB to -79 dB / -∞ (1 dB steps)
 Independent control each four channels output
 - **Mute**
 - **FIXED EQ SCF**
 LOW CUT fo : 40 Hz / 50 Hz
 LOW G : ±12 dB (2 dB steps)
 fo : 60 Hz / 80 Hz / 125 Hz / 160 Hz / 250 Hz
 Q : 0.5/1.0/2.0/4.0
 MID G : ±12 dB (2 dB steps)
 fo : 500 Hz / 800 Hz / 1 kHz / 2 kHz / 4 kHz
 Q : 0.5/1.0/2.0/4.0
 HIGH G : ±12 dB (2 dB steps)
 fo : 5 kHz / 6.3 kHz / 8 kHz / 10 kHz / 16 kHz
 Q : 0.5/1.0/2.0/4.0
 HIGH CUT fo : 20 kHz
- Note: High cut is used to eliminate SCF clock, so SCF cannot be used.

Specifications

Absolute Maximum Ratings at Ta = 25°C, VSS = 0 V

Parameter	Symbol	Conditions	Ratings	Unit
Maximum supply voltage	VDD max	VDD	9.5	V
Maximum input voltage	VIN max	All input pins	VSS-0.3 to VDD	V
Allowable power dissipation	Pd max	Ta ≤ 85°C, when mounted on a printed circuit board *	600	mW
Operating temperature	Topr		-40 to +85	°C
Storage temperature	Tstg		-50 to +125	°C

* Specified circuit board : 114.3 × 76.1 × 1.6 mm³ : glass epoxy board

Stresses exceeding those listed in the Maximum Ratings table may damage the device. If any of these limits are exceeded, device functionality should not be assumed, damage may occur and reliability may be affected.

Allowable Operating Ratings at Ta = 25°C, VSS = 0 V

Parameter	Symbol	Conditions	Ratings			Unit
			min	typ	max	
Supply voltage	VDD	VDD	7.0	8.0	9.0	V
High-level input voltage	VIH	CL, DI, CE	4.5		5.5	V
Low-level input voltage	VIL	CL, DI, CE	VSS		1.0	V
Input voltage amplitude	VIN		VSS		VDD	Vp-p
Input pulse width	TφW	CL	1			μs
Setup time	Tsetup	CL, DI, CE	1			μs
Hold time	Thold	CL, DI, CE	1			μs
Operating frequency	fopg	CL			500	kHz

Functional operation above the stresses listed in the Recommended Operating Ranges is not implied. Extended exposure to stresses beyond the Recommended Operating Ranges limits may affect device reliability.

LV3329PE

Electrical Characteristics at Ta = 25°C, V_{DD} = 8 V, V_{SS} = 0 V

Parameter	Symbol	Conditions	Ratings			Unit
			min	typ	max	
Input block						
Input resistance	R _{in}	L1-L4, R1-R4		50		kΩ
Minimum input gain	G _{in min}	L1-L4, R1-R4	-1	0	+1	dB
Maximum input gain	G _{in max}		+18	+19	+20	dB
Inter-step setting error	A _{Terr}		-1.0		+1.0	dB
Left/Right balance	BAL		-0.5		+0.5	dB
Volume block						
Input resistance	R _{vr1}	LVRIN, RVRIN: Loudness OFF		200		kΩ
	R _{vr2}	LVRIN, RVRIN: Loudness ON		226		kΩ
Inter-step setting error	A _{Terr}	0 dB to -40 dB	-0.5		+0.5	dB
Left/Right balance	BAL		-0.5		+0.5	dB
Tone block:						
Bass block						
Maximum gain setting	G _{b max}	max. boost/cut	±12	±15	±18	dB
Inter-step setting error	A _{Terr}	0 dB to ±4.75 dB	-0.6		+0.6	dB
		±7 dB to ±12.25 dB	-1.25		+1.25	dB
Left/Right balance	BAL		-0.5		+0.5	dB
Center frequency	f01	GAIN = ±15 dB		60		Hz
	f02			80		Hz
	f03			100		Hz
	f04			200		Hz
Quality Factor	Q1	GAIN = ±15 dB		1.0		
	Q2			1.25		
	Q3			1.5		
	Q4			2.0		
Mid block						
Maximum gain setting	G _{b max}	max. boost/cut	±9.25	±12.25	±15.25	dB
Inter-step setting error	A _{Terr}	0 dB to ±4.75 dB	-0.6		+0.6	dB
		±7 dB to ±12.25 dB	-1.25		+1.25	dB
Left/Right balance	BAL		-0.5		+0.5	dB
Center frequency	f01	GAIN = ±12.25 dB		600		Hz
	f02			800		Hz
	f03			1		kHz
	f04			2		kHz
Quality Factor	Q1	GAIN = ±12.25 dB		1.0		
	Q2			1.25		
	Q3			1.5		
	Q4			2.0		
Treble block						
Maximum gain setting	G _{b max}	max. boost/cut	±9.25	±12.25	±15.25	dB
Inter-step setting error	A _{Terr}	0 dB to ±4.75 dB	-0.6		+0.6	dB
		±7 dB to ±12.25 dB	-1.25		+1.25	dB
Left/Right balance	BAL		-0.5		+0.5	dB
Center frequency	f01	GAIN = ±12.25 dB		8		kHz
	f02			10		kHz
	f03			12.5		kHz
	f04			15		kHz
Quality Factor	Q1	GAIN = ±12.25 dB		1.0		
	Q2			1.25		
	Q3			1.5		
	Q4			2.0		

Continued on next page.

LV3329PE

Continued from preceding page.

Parameter	Symbol	Conditions	Ratings			Unit
			min	typ	max	
Fader block						
Input resistance	Rfed			50		kΩ
Inter-step setting error	ATerr	0 dB to -40 dB	-0.5		+0.5	dB
Left/Right balance	BAL	0 dB to -30 dB	-0.5		+0.5	dB
Fixed equalizer:						
LOW CUT						
Center frequency	f01			40		Hz
	f02			50		Hz
LOW						
Maximum gain setting	Gb max	max. boost/cut	±10	±12	±14	dB
Inter-step setting error	ATerr	-10 dB to +10 dB	-1.0		+1.0	dB
Center frequency	f01	GAIN = ±12 dB		60		Hz
	f02			80		Hz
	f03			125		Hz
	f04			160		Hz
	f05			250		Hz
Quality Factor	Q1	GAIN = ±12 dB		0.5		
	Q2			1.0		
	Q3			2.0		
	Q4			4.0		
MID						
Maximum gain setting	Gb max	max. boost/cut	±10	±12	±14	dB
Inter-step setting error	ATerr	-10 dB to +10 dB	-1.0		+1.0	dB
Center frequency	f01	GAIN = ±12 dB		500		Hz
	f02			800		Hz
	f03			1		kHz
	f04			2		kHz
	f05			4		kHz
Quality Factor	Q1	GAIN = ±12 dB		0.5		
	Q2			1.0		
	Q3			2.0		
	Q4			4.0		
HIGH						
Maximum gain setting	Gb max	max. boost/cut	±10	±12	±14	dB
Inter-step setting error	ATerr	-10 dB to +10 dB	-1.0		+1.0	dB
Center frequency	f01	GAIN = ±12 dB		5		kHz
	f02			6.3		kHz
	f03			8		kHz
	f04			10		kHz
	f05			16		kHz
Quality Factor	Q1	GAIN = ±12 dB		0.5		
	Q2			1.0		
	Q3			2.0		
	Q4			4.0		

Product parametric performance is indicated in the Electrical Characteristics for the listed test conditions, unless otherwise noted. Product performance may not be indicated by the Electrical Characteristics if operated under different conditions.

LV3329PE

Overall Characteristics at $T_a = 25^\circ\text{C}$, $V_{DD} = 8\text{ V}$, $V_{SS} = 0\text{ V}$

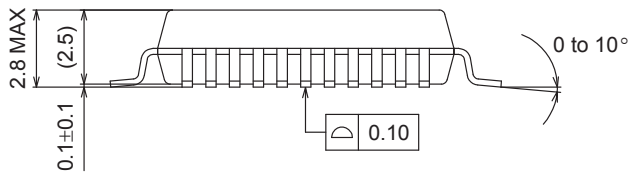
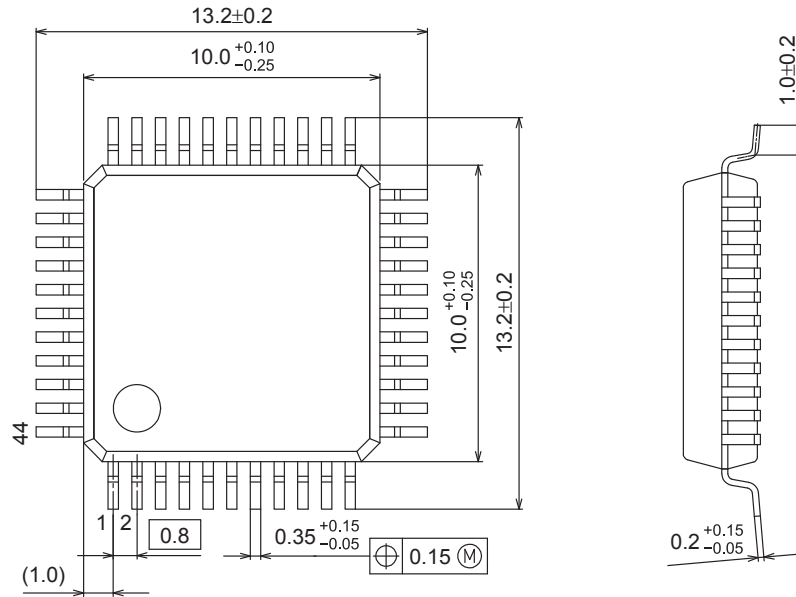
Parameter	Symbol	Conditions	Ratings			Unit
			min	typ	max	
A loss of insertion	ATT		-1.0		+1.0	dB
Total harmonic distortion	THD	$V_{IN} = 1\text{ V}_{rms}$, $f = 1\text{ kHz}$		0.01		%
Inter-input crosstalk	CT	$V_{IN} = 1\text{ V}_{rms}$, $f = 1\text{ kHz}$		80		dB
Left/Right channel crosstalk	CT	$V_{IN} = 1\text{ V}_{rms}$, $f = 1\text{ kHz}$		80		dB
Maximum attenuation	$V_O\text{ min}$	$V_{IN} = 1\text{ V}_{rms}$, $f = 1\text{ kHz}$		80		dB
Output noise voltage	VN	all controls flat, IHF-A, Input 1 k Ω terminator		34		μV
Current drain	I_{DD}			30		mA
Input high-level current	I_{IH}	CL, DI, CE, $V_{IN} = 5.5\text{ V}$			10	μA
Input low-level current	I_{IL}	CL, DI, CE, $V_{IN} = 0\text{ V}$	-10			μA
Maximum input voltage	VCL	THD = 1% $R_L = 10\text{ k}\Omega$ all controls flat, $f_{IN} = 1\text{ kHz}$		2.2		V_{rms}
Common-mode rejection ratio	CMRR	$V_{IN} = 0\text{ dBV}$, $f = 1\text{ kHz}$		50		dB

LV3329PE

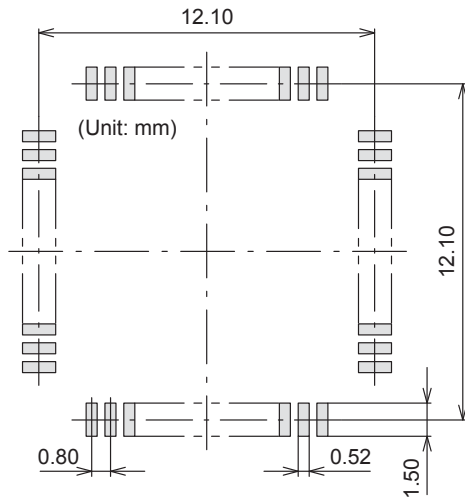
Package Dimensions

unit : mm

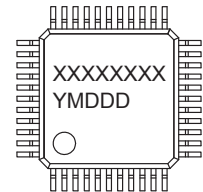
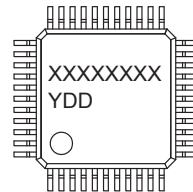
PQFP44 10x10 / QIP44M
CASE 122BK
ISSUE A



SOLDERING FOOTPRINT*



GENERIC MARKING DIAGRAM*



XXXXX = Specific Device Code
Y = Year
DD = Additional Traceability Data

XXXXX = Specific Device Code
Y = Year
M = Month
DDD = Additional Traceability Data

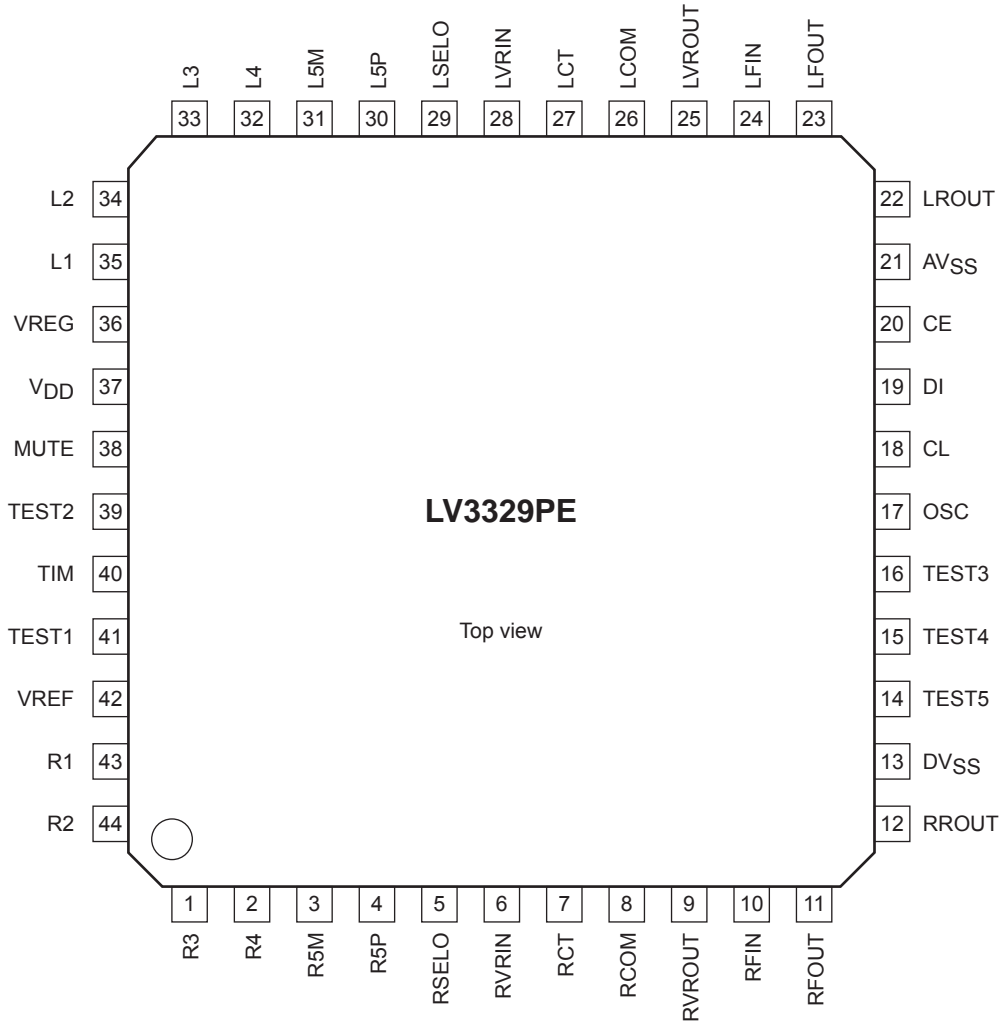
*This information is generic. Please refer to device data sheet for actual part marking. Pb-Free indicator, "G" or microdot "▪", may or may not be present.

NOTE: The measurements are not to guarantee but for reference only.

*For additional information on our Pb-Free strategy and soldering details, please download the ON Semiconductor Soldering and Mounting Techniques Reference Manual, SOLDERRM/D.

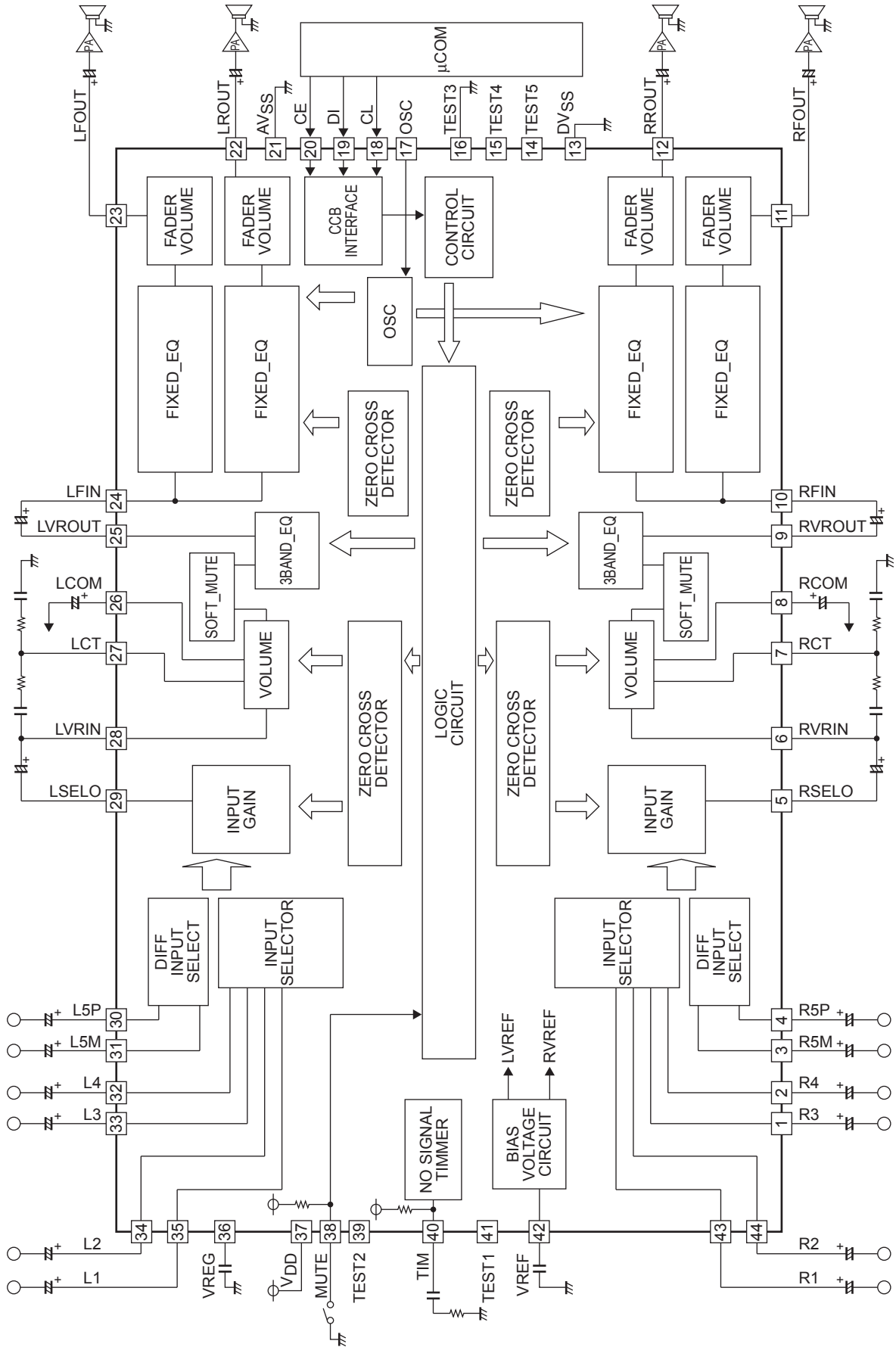
LV3329PE

Pin Assignment



LV3329PE

Block Diagram



LV3329PE

Pin Functions

Pin No.	Pin name	Function	Equivalent Circuit
35 34 33 32 43 44 1 2	L1 L2 L3 L4 R1 R2 R3 R4	Single end input pins.	
31 30 3 4	L5M L5P R5M R5P	Differential input pins.	
29 5	LSELO RSELO	Input selector output pins.	
28 6	LVRIN RVRIN	Main volume input pins.	
27 7	LCT RCT	Loudness function pins.	
26 8	LCOM RCOM	Volume block common pins.	
25 9	LVROUT RVROUT	Tone output pins.	
24 10	LFIN RFIN	Fader block input pins. Drive at low impedance.	

Continued on next page.

LV3329PE

Continued from preceding page.

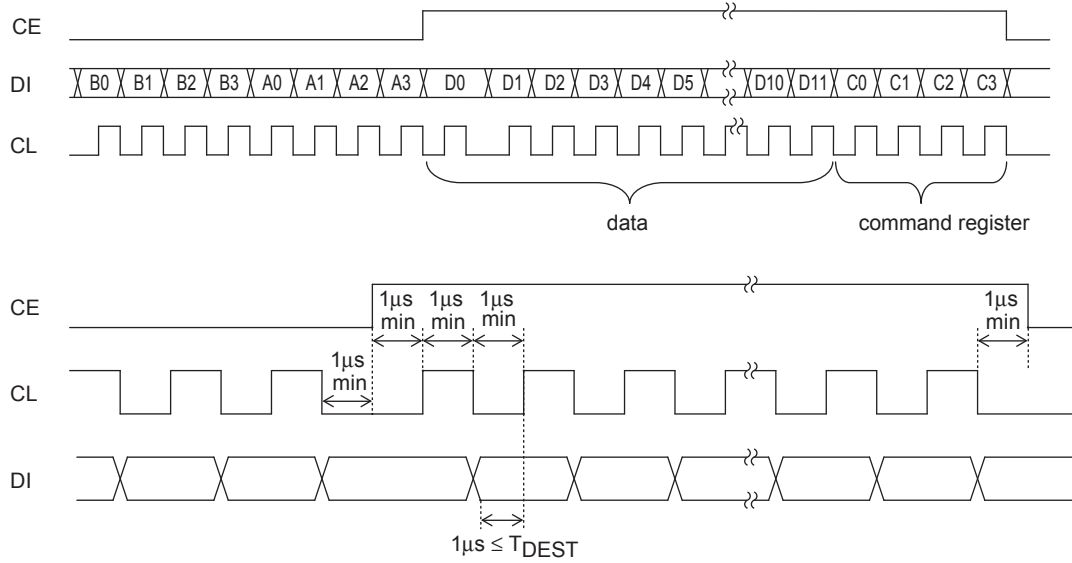
Pin No.	Pin name	Function	Equivalent Circuit
23 22 11 12	LFOUT LROUT RFOUT RROUT	Fader output pins. Attenuation is possible separately for the front end and rear end.	
42	Vref	Connect a capacitor of a few tens of μF between Vref and AVSS (VSS) as a 0.5 × VDD voltage generator, current ripple countermeasure.	
36	VREG	Internal logic voltage pin.	
37	VDD	Power supply pin.	
13	DVSS	Logic ground pin.	
21	AVSS	Analog ground pin.	
38	MUTE	External muting control pin. Setting this pin to VSS level sets forcibly fader volume block to -∞ level.	
40	TIM	Timer pin when there is no signal in the zero cross circuit. Forcibly set data when there is no zero cross signal, from the time the data is set until the timer ends.	
18 19	CL DI	Input pin for serial data and clock used for control.	
20	CE	Chip enable pin. Data is written to the internal latch and the analog switches are operated when the level changes from High to Low. Data transfer is enabled when the level is High.	
16	TEST3	Connect to VSS	
15 14	TEST4 TEST5	Normally this pin is OPEN.	
41 39	TEST1 TEST2	IC test pin. Normally this pin is OPEN.	
17	OSC	External oscillat input pin.	

LV3329PE

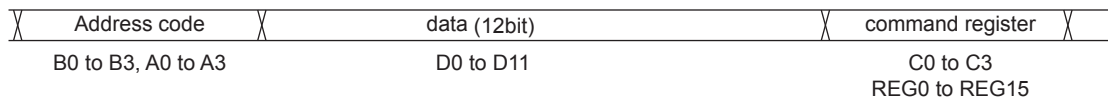
Control System Timing and Data Format

The LV3329PE is controlled by applying the stipulated data to the CL, DI and CE pins.

The data consists of 8 address bits, 12 data bits for each command, and 4 command register bits.



Send to data



Address code

B0	B1	B2	B3	A0	A1	A2	A3
1	0	0	0	0	0	0	1

Command register summary (REG0 to REG15)

C0	C1	C2	C3	Register
0	0	0	0	REG0 (Input selector select, input gain related)
1	0	0	0	REG1 (Main volume related)
0	1	0	0	REG2 (Loudness related)
1	1	0	0	REG3 (Tone block_Bass)
0	0	1	0	REG4 (Tone block_Mid)
1	0	1	0	REG5 (Tone block_Treble)
0	1	1	0	REG6 (Fader related)
1	1	1	0	REG7 (Zero cross related)
0	0	0	1	REG8 (FIXED_EQ block LOW CUT)
1	0	0	1	REG9 (FIXED_EQ block LOW)
0	1	0	1	REG10 (FIXED_EQ block MID)
1	1	0	1	REG11 (FIXED_EQ block HIGH)
0	0	1	1	REG12 (Soft mute related)
1	0	1	1	REG13 (Bass block/Mid block soft step on/off select)
0	1	1	1	REG14 (Other settings)
1	1	1	1	REG15 (Test mode related)

Data setting

REG0 (Command register 0000)

Input switching control

D0	D1	D2	Operation
0	0	0	INIT
1	0	0	L1 (R1)
0	1	0	L2 (R2)
1	1	0	L3 (R3)
0	0	1	L4 (R4)
1	0	1	L5 (R5)

D3
0

Input gain control

D4	D5	D6	D7	Operation
0	0	0	0	0dB
1	0	0	0	+1.25dB
0	1	0	0	+2.5dB
1	1	0	0	+3.75dB
0	0	1	0	+5dB
1	0	1	0	+6.5dB
0	1	1	0	+8dB
1	1	1	0	+9.5dB
0	0	0	1	+11dB
1	0	0	1	+13dB
0	1	0	1	+15dB
1	1	0	1	+17dB
0	0	1	1	+19dB

D8	D9
0	0

Lch/Rch switching

D10	D11	Operation
0	0	Lch/Rch active simultaneously.
1	0	Only Lch active.
0	1	Only Rch active.

LV3329PE

REG1 (Command register 1000)

Volume control (0dB to -39dB)

D0	D1	D2	D3	D4	D5	D6	Operation
0	0	0	0	0	0	0	0dB
1	0	0	0	0	0	0	-1dB
0	1	0	0	0	0	0	-2dB
1	1	0	0	0	0	0	-3dB
0	0	1	0	0	0	0	-4dB
1	0	1	0	0	0	0	-5dB
0	1	1	0	0	0	0	-6dB
1	1	1	0	0	0	0	-7dB
0	0	0	1	0	0	0	-8dB
1	0	0	1	0	0	0	-9dB
0	1	0	1	0	0	0	-10dB
1	1	0	1	0	0	0	-11dB
0	0	1	1	0	0	0	-12dB
1	0	1	1	0	0	0	-13dB
0	1	1	1	0	0	0	-14dB
1	1	1	1	0	0	0	-15dB
0	0	0	0	1	0	0	-16dB
1	0	0	0	1	0	0	-17dB
0	1	0	0	1	0	0	-18dB
1	1	0	0	1	0	0	-19dB
0	0	1	0	1	0	0	-20dB
1	0	1	0	1	0	0	-21dB
0	1	1	0	1	0	0	-22dB
1	1	1	0	1	0	0	-23dB
0	0	0	1	1	0	0	-24dB
1	0	0	1	1	0	0	-25dB
0	1	0	1	1	0	0	-26dB
1	1	0	1	1	0	0	-27dB
0	0	1	1	1	0	0	-28dB
1	0	1	1	1	0	0	-29dB
0	1	1	1	1	0	0	-30dB
1	1	1	1	1	0	0	-31dB
0	0	0	0	0	1	0	-32dB
1	0	0	0	0	1	0	-33dB
0	1	0	0	0	1	0	-34dB
1	1	0	0	0	1	0	-35dB
0	0	1	0	0	1	0	-36dB
1	0	1	0	0	1	0	-37dB
0	1	1	0	0	1	0	-38dB
1	1	1	0	0	1	0	-39dB

LV3329PE

Volume control (-40dB to $-\infty$)

D0	D1	D2	D3	D4	D5	D6	Operation
0	0	0	1	0	1	0	-40dB
1	0	0	1	0	1	0	-41dB
0	1	0	1	0	1	0	-42dB
1	1	0	1	0	1	0	-43dB
0	0	1	1	0	1	0	-44dB
1	0	1	1	0	1	0	-45dB
0	1	1	1	0	1	0	-46dB
1	1	1	1	0	1	0	-47dB
0	0	0	0	1	1	0	-48dB
1	0	0	0	1	1	0	-49dB
0	1	0	0	1	1	0	-50dB
1	1	0	0	1	1	0	-51dB
0	0	1	0	1	1	0	-52dB
1	0	1	0	1	1	0	-53dB
0	1	1	0	1	1	0	-54dB
1	1	1	0	1	1	0	-55dB
0	0	0	1	1	1	0	-56dB
1	0	0	1	1	1	0	-57dB
0	1	0	1	1	1	0	-58dB
1	1	0	1	1	1	0	-59dB
0	0	1	1	1	1	0	-60dB
1	0	1	1	1	1	0	-61dB
0	1	1	1	1	1	0	-62dB
1	1	1	1	1	1	0	-63dB
0	0	0	0	0	0	1	-64dB
1	0	0	0	0	0	1	-65dB
0	1	0	0	0	0	1	-66dB
1	1	0	0	0	0	1	-67dB
0	0	1	0	0	0	1	-68dB
1	0	1	0	0	0	1	-69dB
0	1	1	0	0	0	1	-70dB
1	1	1	0	0	0	1	-71dB
0	0	0	1	0	0	1	-72dB
1	0	0	1	0	0	1	-73dB
0	1	0	1	0	0	1	-74dB
1	1	0	1	0	0	1	-75dB
0	0	1	1	0	0	1	-76dB
1	0	1	1	0	0	1	-77dB
0	1	1	1	0	0	1	-78dB
1	1	1	1	0	0	1	-79dB
0	0	0	0	1	0	1	$-\infty$

D7	D8	D9	Operation
0	0	0	Step mode off
0	1	0	Step mode on

Lch/Rch switching

D10	D11	Operation
0	0	Lch/Rch active simultaneously.
1	0	Only Lch active.
0	1	Only Rch active.

LV3329PE

REG2 (Command register 0100)

Loudness control

D0	D1	D2	D3	D4	D5	D6	D7	Operation
0	0	0	0	0	0	0	0	

D8	Operation
0	External loudness off
1	External loudness on

D9
0

Lch/Rch switching

D10	D11	Operation
0	0	Lch/Rch active simultaneously.
1	0	Only Lch active.
0	1	Only Rch active.

LV3329PE

REG3 (Command register 1100)

Tone block

Bass

GAIN	D0	D1	D2	D3	Operation
	1	1	1	1	+15dB
	0	1	1	1	+12.25dB
	1	0	1	1	+9.5dB
	0	0	1	1	+7dB
	1	1	0	1	+4.75dB
	0	1	0	1	+2.75dB
	1	0	0	1	+1.25dB
	0	0	0	0	0dB
	1	0	0	0	-1.25dB
	0	1	0	0	-2.75dB
	1	1	0	0	-4.75dB
	0	0	1	0	-7dB
	1	0	1	0	-9.5dB
	0	1	1	0	-12.25dB
	1	1	1	0	-15dB

D4	D5
0	0

f0	D6	D7	Operation
	0	0	60Hz
	1	0	80Hz
	0	1	100Hz
	1	1	200Hz

Q	D8	D9	Operation
	0	0	1.00
	1	0	1.25
	0	1	1.50
	1	1	2.00

Lch/Rch switching

D10	D11	Operation
0	0	Lch/Rch active simultaneously.
1	0	Only Lch active.
0	1	Only Rch active.

LV3329PE

REG4 (Command register 0010)

Tone block

Mid

GAIN	D0	D1	D2	D3	Operation
	0	1	1	1	+12.25dB
	1	0	1	1	+9.5dB
	0	0	1	1	+7dB
	1	1	0	1	+4.75dB
	0	1	0	1	+2.75dB
	1	0	0	1	+1.25dB
	0	0	0	0	0dB
	1	0	0	0	-1.25dB
	0	1	0	0	-2.75dB
	1	1	0	0	-4.75dB
	0	0	1	0	-7dB
	1	0	1	0	-9.5dB
	0	1	1	0	-12.25dB

D4	D5
0	0

f0	D6	D7	Operation
	0	0	600Hz
	1	0	800Hz
	0	1	1kHz
	1	1	2kHz

Q	D8	D9	Operation
	0	0	1.00
	1	0	1.25
	0	1	1.50
	1	1	2.00

Lch/Rch switching

D10	D11	Operation
0	0	Lch/Rch active simultaneously.
1	0	Only Lch active.
0	1	Only Rch active.

LV3329PE

REG5 (Command register 1010)

Tone block

Treble

GAIN	D0	D1	D2	D3	Operation
	0	1	1	1	+12.25dB
	1	0	1	1	+9.5dB
	0	0	1	1	+7dB
	1	1	0	1	+4.75dB
	0	1	0	1	+2.75dB
	1	0	0	1	+1.25dB
	0	0	0	0	0dB
	1	0	0	0	-1.25dB
	0	1	0	0	-2.75dB
	1	1	0	0	-4.75dB
	0	0	1	0	-7dB
	1	0	1	0	-9.5dB
	0	1	1	0	-12.25dB

D4	D5
0	0

f0	D6	D7	Operation
	0	0	8kHz
	1	0	10kHz
	0	1	12.5kHz
	1	1	15kHz

Q	D8	D9	Operation
	0	0	1.00
	1	0	1.25
	0	1	1.50
	1	1	2.00

Lch/Rch switching

D10	D11	Operation
0	0	Lch/Rch active simultaneously.
1	0	Only Lch active.
0	1	Only Rch active.

LV3329PE

REG6 (Command register 0110)

Fader block (0dB to -39dB)

D0	D1	D2	D3	D4	D5	D6	Operation
0	0	0	0	0	0	0	0dB
1	0	0	0	0	0	0	-1dB
0	1	0	0	0	0	0	-2dB
1	1	0	0	0	0	0	-3dB
0	0	1	0	0	0	0	-4dB
1	0	1	0	0	0	0	-5dB
0	1	1	0	0	0	0	-6dB
1	1	1	0	0	0	0	-7dB
0	0	0	1	0	0	0	-8dB
1	0	0	1	0	0	0	-9dB
0	1	0	1	0	0	0	-10dB
1	1	0	1	0	0	0	-11dB
0	0	1	1	0	0	0	-12dB
1	0	1	1	0	0	0	-13dB
0	1	1	1	0	0	0	-14dB
1	1	1	1	0	0	0	-15dB
0	0	0	0	1	0	0	-16dB
1	0	0	0	1	0	0	-17dB
0	1	0	0	1	0	0	-18dB
1	1	0	0	1	0	0	-19dB
0	0	1	0	1	0	0	-20dB
1	0	1	0	1	0	0	-21dB
0	1	1	0	1	0	0	-22dB
1	1	1	0	1	0	0	-23dB
0	0	0	1	1	0	0	-24dB
1	0	0	1	1	0	0	-25dB
0	1	0	1	1	0	0	-26dB
1	1	0	1	1	0	0	-27dB
0	0	1	1	1	0	0	-28dB
1	0	1	1	1	0	0	-29dB
0	1	1	1	1	0	0	-30dB
1	1	1	1	1	0	0	-31dB
0	0	0	0	0	1	0	-32dB
1	0	0	0	0	1	0	-33dB
0	1	0	0	0	1	0	-34dB
1	1	0	0	0	1	0	-35dB
0	0	1	0	0	1	0	-36dB
1	0	1	0	0	1	0	-37dB
0	1	1	0	0	1	0	-38dB
1	1	1	0	0	1	0	-39dB

LV3329PE

Fader block (-40dB to $-\infty$)

D0	D1	D2	D3	D4	D5	D6	Operation
0	0	0	1	0	1	0	-40dB
1	0	0	1	0	1	0	-41dB
0	1	0	1	0	1	0	-42dB
1	1	0	1	0	1	0	-43dB
0	0	1	1	0	1	0	-44dB
1	0	1	1	0	1	0	-45dB
0	1	1	1	0	1	0	-46dB
1	1	1	1	0	1	0	-47dB
0	0	0	0	1	1	0	-48dB
1	0	0	0	1	1	0	-49dB
0	1	0	0	1	1	0	-50dB
1	1	0	0	1	1	0	-51dB
0	0	1	0	1	1	0	-52dB
1	0	1	0	1	1	0	-53dB
0	1	1	0	1	1	0	-54dB
1	1	1	0	1	1	0	-55dB
0	0	0	1	1	1	0	-56dB
1	0	0	1	1	1	0	-57dB
0	1	0	1	1	1	0	-58dB
1	1	0	1	1	1	0	-59dB
0	0	1	1	1	1	0	-60dB
1	0	1	1	1	1	0	-61dB
0	1	1	1	1	1	0	-62dB
1	1	1	1	1	1	0	-63dB
0	0	0	0	0	0	1	-64dB
1	0	0	0	0	0	1	-65dB
0	1	0	0	0	0	1	-66dB
1	1	0	0	0	0	1	-67dB
0	0	1	0	0	0	1	-68dB
1	0	1	0	0	0	1	-69dB
0	1	1	0	0	0	1	-70dB
1	1	1	0	0	0	1	-71dB
0	0	0	1	0	0	1	-72dB
1	0	0	1	0	0	1	-73dB
0	1	0	1	0	0	1	-74dB
1	1	0	1	0	0	1	-75dB
0	0	1	1	0	0	1	-76dB
1	0	1	1	0	0	1	-77dB
0	1	1	1	0	0	1	-78dB
1	1	1	1	0	0	1	-79dB
0	0	0	0	1	0	1	$-\infty$

D7	D8
0	0

Channel select

D9	D10	D11	Operation
1	0	0	Simultaneous control (LF, LR, RF, RR)
0	0	0	LFOUT
0	1	0	LROUT
0	0	1	RFOUT
0	1	1	RROUT

LV3329PE

REG7 (Command register 1110)

Zero cross control

D0	D1	D2	D3	Operation
0	0	0	0	Zero cross detection off
1	0	0	0	Zero cross detection on

Zero cross detection

D4	D5	D6	D7	Operation
0	0	0	0	Input gain (LSELO)
0	1	0	0	Input gain (RSELO)
0	0	1	0	Main volume (LVROUT)
0	1	1	0	Main volume (RVROUT)
0	0	0	1	Fader (LFOUT)
0	1	0	1	Fader (RFOUT)
0	0	1	1	Fader (LROUT)
0	1	1	1	Fader (RROUT)

D8	D9	D10	D11
0	0	0	0

REG8 (Command register 0001)

FIXED EQ block

LOW_CUT

D0	D1	D2	D3	Operation
0	0	0	0	OFF
1	0	0	0	ON

D4	D5	D6	D7	D8	D9	Operation
0	0	0	0	0	0	40Hz
0	1	0	0	0	0	50Hz

Channel select

D10	D11	Operation
0	0	LFOUT
1	0	LROUT
0	1	RFOUT
1	1	RROUT

LV3329PE

REG9 (Command register 1001)

FIXED EQ block

LOW

GAIN	D0	D1	D2	D3	Operation
	0	1	1	1	+12dB
	1	0	1	1	+10dB
	0	0	1	1	+8dB
	1	1	0	1	+6dB
	0	1	0	1	+4dB
	1	0	0	1	+2dB
	0	0	0	0	0dB
	1	0	0	0	-2dB
	0	1	0	0	-4dB
	1	1	0	0	-6dB
	0	0	1	0	-8dB
	1	0	1	0	-10dB
	0	1	1	0	-12dB

D4
0

f0	D5	D6	D7	Operation
	0	0	0	60Hz
	1	0	0	80Hz
	0	1	0	125Hz
	1	1	0	160Hz
	0	0	1	250Hz

Q	D8	D9	Operation
	0	0	0.5
	1	0	1.0
	0	1	2.0
	1	1	4.0

Channel select

D10	D11	Operation
0	0	LFOUT
1	0	LROUT
0	1	RFOUT
1	1	RROUT

LV3329PE

REG10 (Command register 0101)

FIXED EQ block

MID

GAIN	D0	D1	D2	D3	Operation
	0	1	1	1	+12dB
	1	0	1	1	+10dB
	0	0	1	1	+8dB
	1	1	0	1	+6dB
	0	1	0	1	+4dB
	1	0	0	1	+2dB
	0	0	0	0	0dB
	1	0	0	0	-2dB
	0	1	0	0	-4dB
	1	1	0	0	-6dB
	0	0	1	0	-8dB
	1	0	1	0	-10dB
	0	1	1	0	-12dB

D4
0

f0	D5	D6	D7	Operation
	0	0	0	500Hz
	1	0	0	800Hz
	0	1	0	1kHz
	1	1	0	2kHz
	0	0	1	4kHz

Q	D8	D9	Operation
	0	0	0.5
	1	0	1.0
	0	1	2.0
	1	1	4.0

Channel select

D10	D11	Operation
0	0	LFOUT
1	0	LROUT
0	1	RFOUT
1	1	RROUT

LV3329PE

REG11 (Command register 1101)

FIXED EQ block

HIGH

GAIN	D0	D1	D2	D3	Operation
	0	1	1	1	+12dB
	1	0	1	1	+10dB
	0	0	1	1	+8dB
	1	1	0	1	+6dB
	0	1	0	1	+4dB
	1	0	0	1	+2dB
	0	0	0	0	0dB
	1	0	0	0	-2dB
	0	1	0	0	-4dB
	1	1	0	0	-6dB
	0	0	1	0	-8dB
	1	0	1	0	-10dB
	0	1	1	0	-12dB

D4
0

f0	D5	D6	D7	Operation
	0	0	0	5kHz
	1	0	0	6.3kHz
	0	1	0	8kHz
	1	1	0	10kHz
	0	0	1	16kHz

Q	D8	D9	Operation
	0	0	0.5
	1	0	1.0
	0	1	2.0
	1	1	4.0

Channel select

D10	D11	Operation
0	0	LFOUT
1	0	LROUT
0	1	RFOUT
1	1	RROUT

REG12 (Command register 0011)

Soft step/Soft mute control

D0	Operation
0	Soft mute off
1	Soft mute on

D1	D2	D3
0	0	0

Soft step/Soft mute settling time select control

D4	D5	Operation
0	0	mute time 0.64ms
1	0	mute time 5.12ms
0	1	mute time 40ms
1	1	mute time 80ms

D6	D7	Operation
0	0	Bass block/Mid block Soft step time 10ms
1	0	Bass block/Mid block Soft step time 20ms

D8	D9	D10	D11
0	0	0	0

REG13 (Command register 1011)

Soft step on/off select

D0	D1	D2	D3	Contents
0	0	0	0	-
1	0	0	0	-
0	1	0	0	-
1	1	0	0	-
0	0	1	0	-
1	0	1	0	-
0	1	1	0	-
1	1	1	0	-
0	0	0	1	-
1	0	0	1	-
0	1	0	1	-
1	1	0	1	-
0	0	1	1	-
1	0	1	1	-
0	1	1	1	Bass block/Mid block Soft step off
1	1	1	1	Bass block/Mid block Soft step on

D4	D5
0	0

D6	D7	D8	D9	D10	D11
0	0	0	0	0	0

REG14 (Command register 0111)

Other settings

D0	Operation
0	mute off
1	mute on

D1	Operation
0	normal mode
1	test mode

D2	D3	D4	D5	D6	D7	D8	D9	D10	D11
0	0	0	0	0	0	0	0	0	0

REG15 (Command register 1111)

Test mode block

D0	D1	D2	D3	D4	D5	D6	D7
0	0	0	0	0	0	0	0

D8	D9	D10	D11
0	0	0	0

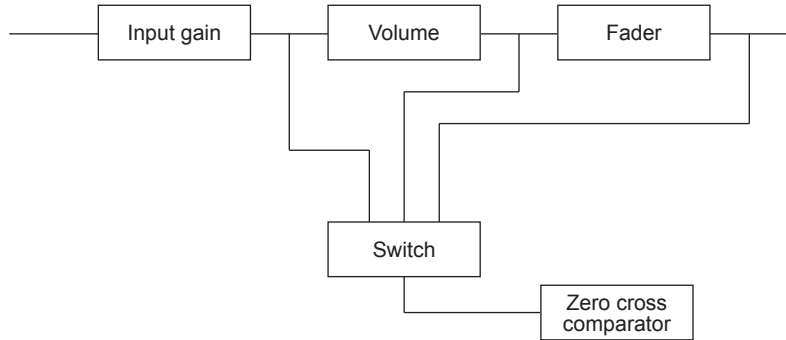
Usage Cautions

(1) Data Transmission at power on

- The status of internal analog switches is unstable at power on. Therefore, perform muting or some other countermeasure until the data has been set.
- At power on, initial setting data must be sent once in order to stabilize the bias of each block in a short time.

(2) Description of zero cross switching circuit operation

- The LV3329PE have a function to switch zero cross comparator signal detection locations, enabling the selection of the optimum detection location for blocks whose data is to be updated. Basically, the switching noise can be minimized by inputting the signal immediately following the block whose data is to be updated to the zero cross comparator, so it is necessary to switch the detection location every time.



LV3329PE zero cross detection circuit

- Zero cross switching operates at the timing (rising edge and falling edge) when the signal crosses the reference voltage.

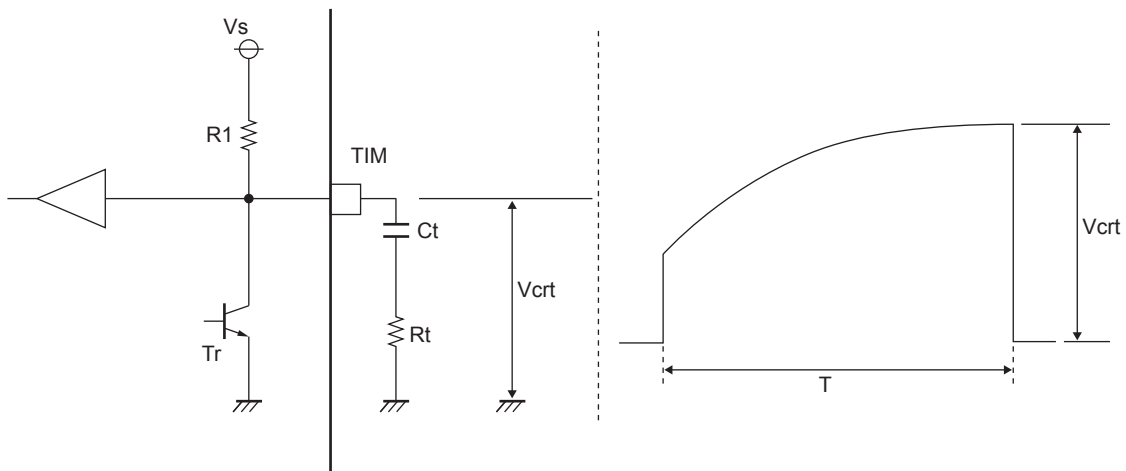
(3) Zero cross switching control method

The zero cross switching control method consists of setting the zero cross control bits to the zero cross detection mode, and specifying the detection blocks before transmitting the data.

(4) Zero cross timer setting

If the input signal becomes lower than the zero cross comparator detection sensitivity, or if only low-frequency signals are input, zero cross detection continues to be impossible, and data is not latched during this time. The zero cross timer can set a time for forcible latch during such a status when zero cross detection is not possible.

The method of obtaining the timer time is shown below.



$$T = -Ct \times (R1 + Rt) \times \ln \frac{Vs - Vcrt}{Vs \times (1 - \frac{Rt}{R1 + Rt})} \dots [1]$$

Calculation example)

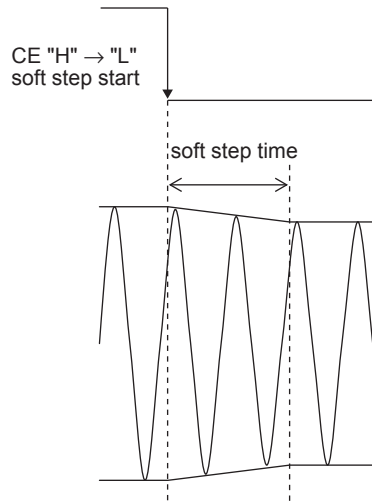
- $V_{DD} = 8V$, $V_s = 4V$
- $V_{ctr} = 1.75V$
- $R1 = 930k\Omega$ (TIM pin internal resistance)
- $Ct = 0.022\mu F$ (External Ct)
- $Rt = 150k\Omega$ (External Rt)

The timer time “T” is obtained by formula [1] above.

In this example, $T = 10.1ms$.

(5) Bass/mid-range block soft step operation

The LV3329PE has a soft step function at bass and mid-range blocks to minimize switching noise. The soft step time for the bass and mid-range blocks is 10ms or 20ms and can be selected using serial data. When set to soft step on, a soft step function for the bass or mid-range block can be implemented at the minimum resolution step intervals.

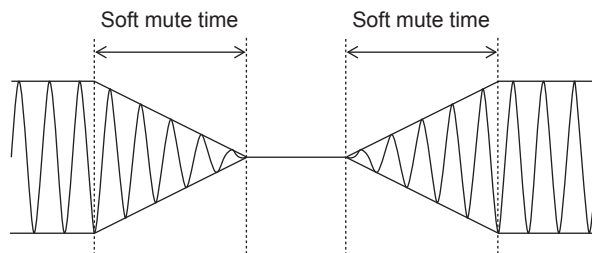


(6) Soft mute operation

The LV3329PE have a soft mute function for low switching noise, when this mute function set operation. (mute/unmute function select)

The Soft mute time can be selected by send to CCB control. (0.6ms, 5ms, 40ms, 80ms)

A soft mute function can be implemented by set to soft mute on. (Set to mute on/off)



(7) Step mode operation

In step mode, when the main volume is switched between 0dB and -32dB in 2-dB steps, the volume is first set to the midpoint level of before and after the setting, and then to the final value.

The volume is set at the zero cross operation timing.

(Condition: Set to zero cross mode.)

This operation further reduces the switching noise, in addition to the effects of countermeasures against switching noise due to zero cross operation.

(8) Notes during data control

1) Notes when transmitting data continuously

- (1) Transmit the initial data once at power ON. (REG0, D0 to D11 = ALL "0")

Set each register thereafter, but be sure to set REG7 (zero cross setting "ON") last.

- (2) Do not transmit data during soft mute operation. Wait until soft step operation is finished before transmitting the data. (It is recommended to set the data transmission interval of approximately twice the soft mute setting time.)

- (3) Do not transmit data during soft step operation. Wait until soft step operation is finished before transmitting the data. (It is recommended to set the data transmission interval of approximately twice the soft step setting time.)

- (4) Do not transmit soft mute or soft step operation data during zero cross operation (when data is set while zero cross is set to "ON").

Wait until zero cross operation is finished before transmitting soft mute or soft step data. Set the data transmission interval to be equal or longer than the zero cross timer setting time.

(Recommended interval: Zero cross timer setting time +10ms)

- (5) When performing BASS control or MID control in soft step mode, transmit data with the step level interval set to the minimum resolution possible.

2) Notes when setting the mode

- (1) When performing soft step control, always set REG12 (soft step setting time) and REG13 (soft step operation "ON") before transmitting the BASS control and MID control step data.

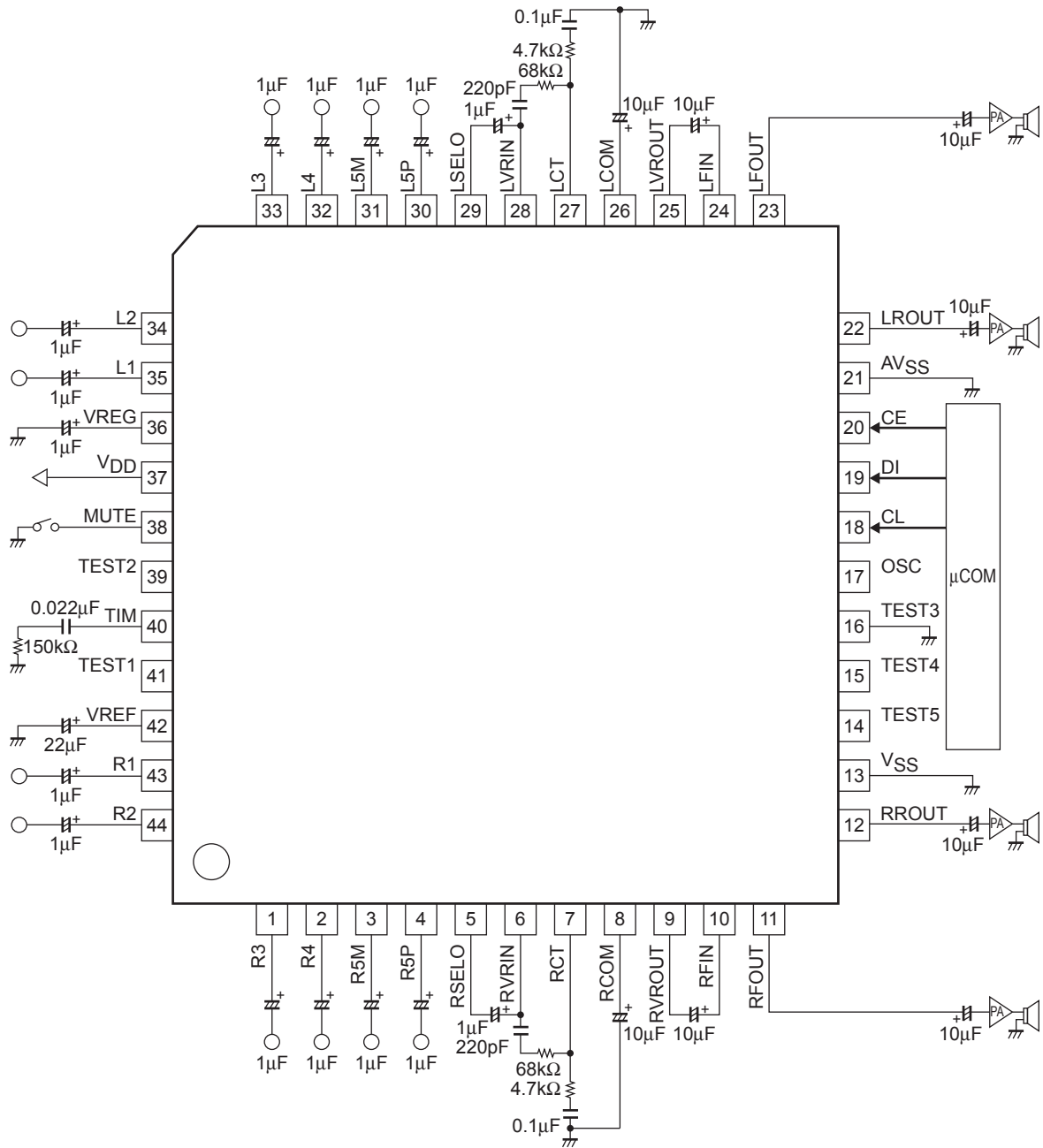
(The soft step setting time and soft step operation setting data are transmitted one time in the initial stage, and the soft step mode is maintained thereafter until the power is turned off or the soft step setting time or soft step operation setting is changed. Therefore, there is no need to repeatedly transmit the soft step setting time or soft step operation setting data.)

- (2) When performing zero cross control, always set REG7 (zero cross detection "ON," zero cross detection block selection) before transmitting the input selection switching control, input gain control, main volume control, treble control and fader control step data.

(The zero cross detection and zero cross detection block selection setting data are transmitted one time in the initial stage, and the zero cross detection mode is maintained thereafter until the power is turned off or the zero cross detection or zero cross detection block selection setting is changed. Therefore, there is no need to repeatedly transmit the zero cross detection or zero cross detection block selection setting data.)

LV3329PE

Application Circuit Example



LV3329PE

ORDERING INFORMATION

Device	Package	Shipping (Qty / Packing)
LV3329PE-TLM-H	PQFP44 10x10 / QIP44M (Pb-Free / Halogen Free)	1000 / Tape & Reel

† For information on tape and reel specifications, including part orientation and tape sizes, please refer to our Tape and Reel Packaging Specifications Brochure, BRD8011/D. http://www.onsemi.com/pub_link/Collateral/BRD8011-D.PDF

ON Semiconductor and the ON Semiconductor logo are trademarks of Semiconductor Components Industries, LLC dba ON Semiconductor or its subsidiaries in the United States and/or other countries. ON Semiconductor owns the rights to a number of patents, trademarks, copyrights, trade secrets, and other intellectual property. A listing of ON Semiconductor's product/patent coverage may be accessed at www.onsemi.com/site/pdf/Patent-Marking.pdf. ON Semiconductor reserves the right to make changes without further notice to any products herein. ON Semiconductor makes no warranty, representation or guarantee regarding the suitability of its products for any particular purpose, nor does ON Semiconductor assume any liability arising out of the application or use of any product or circuit, and specifically disclaims any and all liability, including without limitation special, consequential or incidental damages. Buyer is responsible for its products and applications using ON Semiconductor products, including compliance with all laws, regulations and safety requirements or standards, regardless of any support or applications information provided by ON Semiconductor. "Typical" parameters which may be provided in ON Semiconductor data sheets and/or specifications can and do vary in different applications and actual performance may vary over time. All operating parameters, including "Typicals" must be validated for each customer application by customer's technical experts. ON Semiconductor does not convey any license under its patent rights nor the rights of others. ON Semiconductor products are not designed, intended, or authorized for use as a critical component in life support systems or any FDA Class 3 medical devices or medical devices with a same or similar classification in a foreign jurisdiction or any devices intended for implantation in the human body. Should Buyer purchase or use ON Semiconductor products for any such unintended or unauthorized application, Buyer shall indemnify and hold ON Semiconductor and its officers, employees, subsidiaries, affiliates, and distributors harmless against all claims, costs, damages, and expenses, and reasonable attorney fees arising out of, directly or indirectly, any claim of personal injury or death associated with such unintended or unauthorized use, even if such claim alleges that ON Semiconductor was negligent regarding the design or manufacture of the part. ON Semiconductor is an Equal Opportunity/Affirmative Action Employer. This literature is subject to all applicable copyright laws and is not for resale in any manner.