

# MAC15A6FP, MAC15A8FP, MAC15A10FP

Preferred Device




**ON Semiconductor**

<http://onsemi.com>

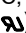
## Triacs

### Silicon Bidirectional Thyristors

Designed primarily for full-wave ac control applications, such as solid-state relays, motor controls, heating controls and power supplies; or wherever full-wave silicon gate controlled solid-state devices are needed. Triac type thyristors switch from a blocking to a conducting state for either polarity of applied main terminal voltage with positive or negative gate triggering.


- Blocking Voltage to 800 Volts
- All Diffused and Glass Passivated Junctions for Greater Parameter Uniformity and Stability
- Small, Rugged, Thermowatt Construction for Low Thermal Resistance, High Heat Dissipation and Durability
- Gate Triggering Guaranteed in Four Modes
-  Indicates UL Registered — File #E69369
- Device Marking: Logo, Device Type, e.g., MAC15A6FP, Date Code

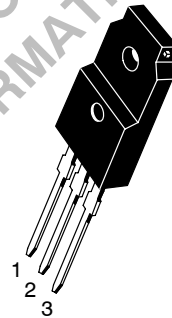
#### MAXIMUM RATINGS (T<sub>J</sub> = 25°C unless otherwise noted)

Rating	Symbol	Value	Unit
Peak Repetitive Off-State Voltage <sup>(1)</sup> (T <sub>J</sub> = -40 to +125°C, Sine Wave 50 to 60 Hz, Gate Open)	V <sub>DRM</sub> , V <sub>RRM</sub>	400 600 800	Volts
On-State RMS Current (T <sub>C</sub> = +80°C) <sup>(2)</sup> Full Cycle Sine Wave 50 to 60 Hz (T <sub>C</sub> = +95°C)	I <sub>T(RMS)</sub>	15 12	Amps
Peak Nonrepetitive Surge Current (One Full Cycle Sine Wave, 60 Hz, T <sub>C</sub> = +80°C) Preceded and followed by rated current	I <sub>TSM</sub>	150	Amps
Circuit Fusing (t = 8.3 ms)	I <sup>2</sup> t	93	A <sup>2</sup> s
Peak Gate Power (T <sub>C</sub> = +80°C, Pulse Width = 2.0 μs)	P <sub>GM</sub>	20	Watts
Average Gate Power (T <sub>C</sub> = +80°C, t = 8.3 ms)	P <sub>G(AV)</sub>	0.5	Watt
Peak Gate Current (Pulse Width ≤ 1.0 μsec; T <sub>C</sub> = 80°C)	I <sub>GM</sub>	2.0	Amps
Peak Gate Voltage (Pulse Width ≤ 1.0 μsec; T <sub>C</sub> = 80°C)	V <sub>GM</sub>	10	Volts
RMS Isolation Voltage (T <sub>A</sub> = 25°C, Relative Humidity ≤ 20%) 	V <sub>(ISO)</sub>	1500	Volts
Operating Junction Temperature	T <sub>J</sub>	-40 to +125	°C
Storage Temperature Range	T <sub>stg</sub>	-40 to +150	°C

(1) V<sub>DRM</sub> and V<sub>RRM</sub> for all types can be applied on a continuous basis. Blocking voltages shall not be tested with a constant current source such that the voltage ratings of the devices are exceeded.

(2) The case temperature reference point for all T<sub>C</sub> measurements is a point on the center lead of the package as close as possible to the plastic body.

**ISOLATED TRIAC **  
**15 AMPERES RMS**  
**400 thru 800 VOLTS**



**ISOLATED TO-220 Full Pack**  
**CASE 221C**  
**STYLE 3**

#### PIN ASSIGNMENT

Pin	Assignment
1	Main Terminal 1
2	Main Terminal 2
3	Gate

#### ORDERING INFORMATION

Device	Package	Shipping
MAC15A6FP	ISOLATED TO220FP	500/Box
MAC15A8FP	ISOLATED TO220FP	500/Box
MAC15A10FP	ISOLATED TO220FP	500/Box

**Preferred** devices are recommended choices for future use and best overall value.

# MAC15A6FP, MAC15A8FP, MAC15A10FP

## THERMAL CHARACTERISTICS

Characteristic	Symbol	Max	Unit
Thermal Resistance, Junction to Case	$R_{\theta JC}$	2.0	$^{\circ}\text{C}/\text{W}$
Thermal Resistance, Case to Sink	$R_{\theta CS}$	2.2 (typ)	$^{\circ}\text{C}/\text{W}$
Thermal Resistance, Junction to Ambient	$R_{\theta JA}$	60	$^{\circ}\text{C}/\text{W}$
Maximum Lead Temperature for Soldering Purposes 1/8" from Case for 10 Seconds	$T_L$	260	$^{\circ}\text{C}$

## ELECTRICAL CHARACTERISTICS ( $T_C = 25^{\circ}\text{C}$ unless otherwise noted; Electricals apply in both directions)

Characteristic	Symbol	Min	Typ	Max	Unit
----------------	--------	-----	-----	-----	------

### OFF CHARACTERISTICS

Peak Repetitive Blocking Current ( $V_D = \text{Rated } V_{DRM}, V_{RRM}; \text{ Gate Open}$ )	$T_J = 25^{\circ}\text{C}$	$I_{DRM}$	—	—	10	$\mu\text{A}$
	$T_J = 125^{\circ}\text{C}$	$I_{RRM}$	—	—	2.0	$\text{mA}$

### ON CHARACTERISTICS

Peak On-State Voltage <sup>(1)</sup> ( $I_{TM} = \pm 21 \text{ A Peak}$ )	$V_{TM}$	—	1.3	1.6	Volts
Gate Trigger Current (Continuous dc) (Main Terminal Voltage = 12 Vdc, $R_L = 100 \text{ Ohms}$ ) MT2(+), G(+) MT2(+), G(-) MT2(-), G(-) MT2(-), G(+)	$I_{GT}$	—	—	50	$\text{mA}$
		—	—	50	
		—	—	50	
		—	—	75	
		—	—	75	
Gate Trigger Voltage (Continuous dc) (Main Terminal Voltage = 12 Vdc, $R_L = 100 \text{ Ohms}$ ) MT2(+), G(+) MT2(+), G(-) MT2(-), G(-) MT2(-), G(+)	$V_{GT}$	—	0.9	2.0	Volts
		—	0.9	2.0	
		—	1.1	2.0	
		—	1.4	2.5	
		—	1.4	2.5	
Gate Non-Trigger Voltage (Main Terminal Voltage = Rated $V_{DRM}$ , $R_L = 100 \Omega$ , $T_J = +110^{\circ}\text{C}$ ) All 4 Quadrants	$V_{GD}$	0.2	—	—	Volts
Holding Current (Main Terminal Voltage = 12 Vdc, Gate Open, Initiating Current = $\pm 200 \text{ mA}$ )	$I_H$	—	6.0	40	$\text{mA}$
Turn-On Time ( $V_D = \text{Rated } V_{DRM}$ , $I_{TM} = 17 \text{ A}$ , $I_{GT} = 120 \text{ mA}$ , Rise Time = $0.1 \mu\text{s}$ , Pulse Width = $2 \mu\text{s}$ )	$t_{gt}$	—	1.5	—	$\mu\text{s}$

### DYNAMIC CHARACTERISTICS

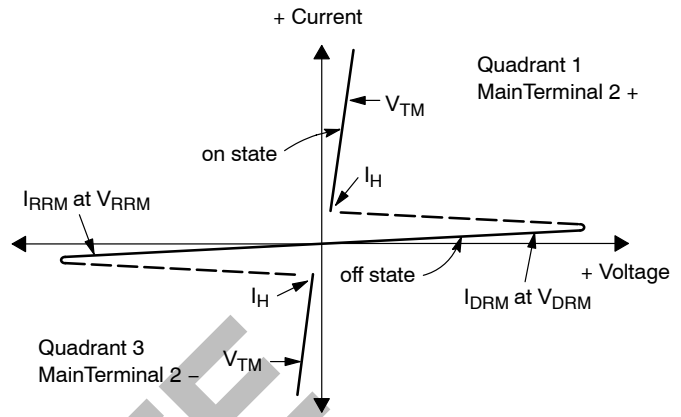
Critical Rate of Rise of Commutation Voltage ( $V_D = \text{Rated } V_{DRM}, V_{RRM}, I_{TM} = 21 \text{ A}$ , Commutating $di/dt = 7.6 \text{ A/ms}$ , Gate Unenergized, $T_C = 80^{\circ}\text{C}$ )	$dv/dt(c)$	—	5.0	—	$\text{V}/\mu\text{s}$
--	------------	---	-----	---	------------------------

(1) Pulse Test: Pulse Width  $\leq 2.0 \text{ ms}$ , Duty Cycle  $\leq 2\%$ .

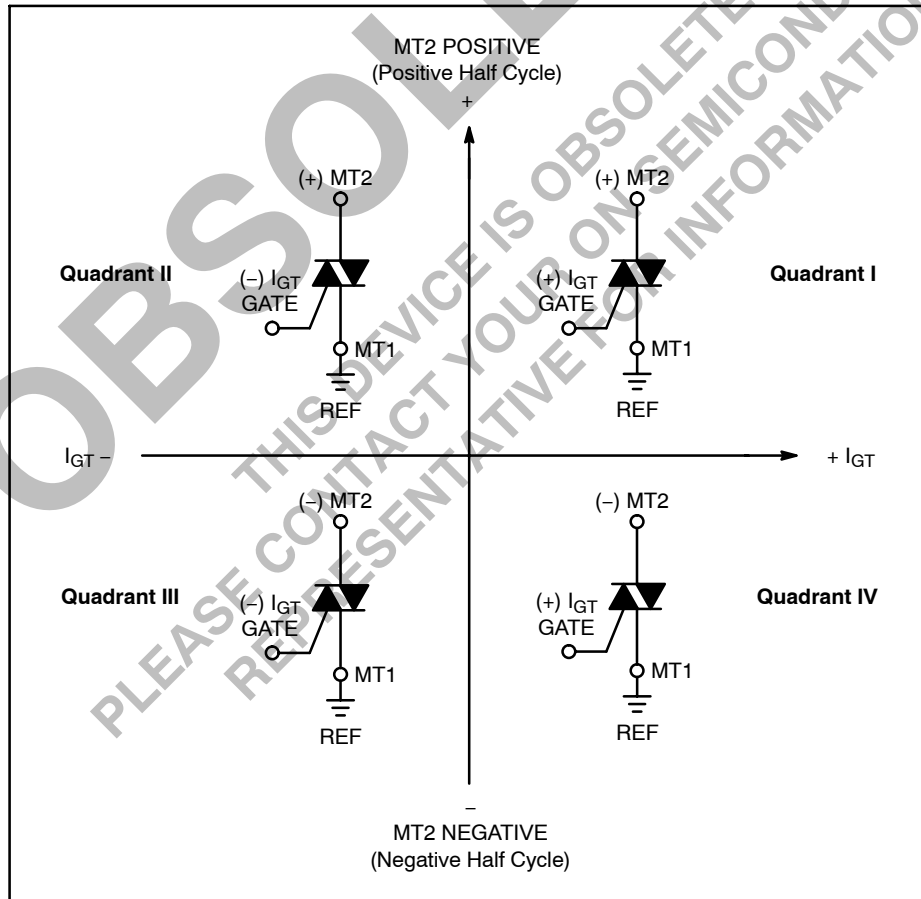
# MAC15A6FP, MAC15A8FP, MAC15A10FP

## Voltage Current Characteristic of Triacs (Bidirectional Device)

Symbol	Parameter
$V_{DRM}$	Peak Repetitive Forward Off State Voltage
$I_{DRM}$	Peak Forward Blocking Current
$V_{RRM}$	Peak Repetitive Reverse Off State Voltage
$I_{RRM}$	Peak Reverse Blocking Current
$V_{TM}$	Maximum On State Voltage
$I_H$	Holding Current



### Quadrant Definitions for a Triac



All polarities are referenced to MT1.

With in-phase signals (using standard AC lines) quadrants I and III are used.

# MAC15A6FP, MAC15A8FP, MAC15A10FP

## TYPICAL CHARACTERISTICS

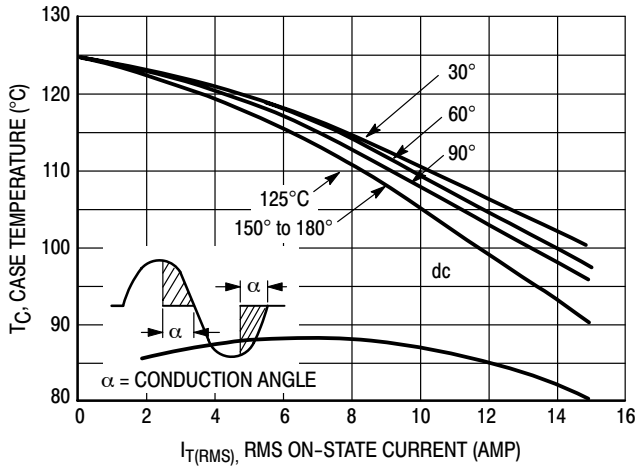


Figure 1. RMS Current Derating

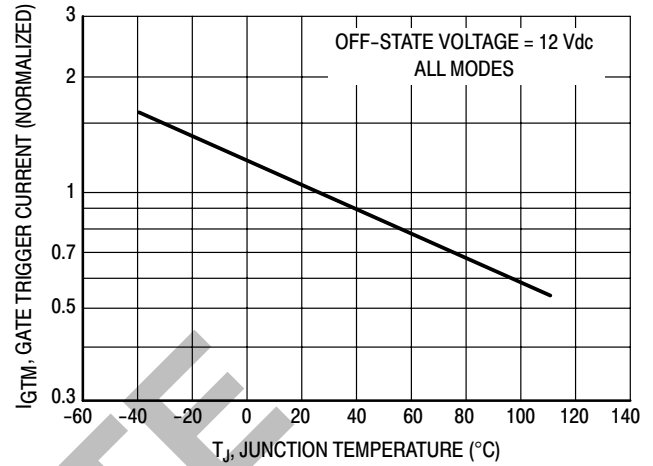


Figure 4. Typical Gate Trigger Current

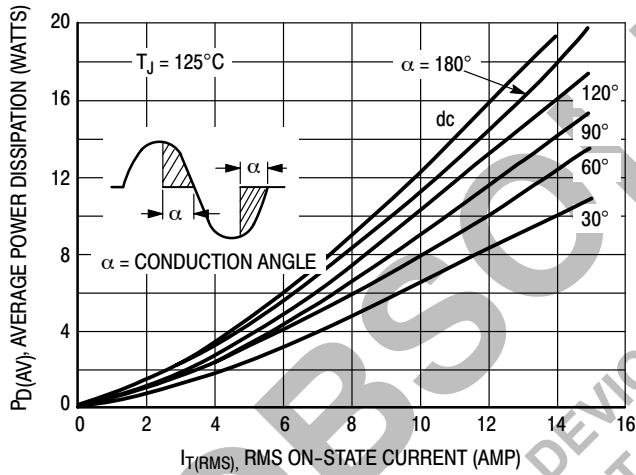


Figure 2. On-State Power Dissipation

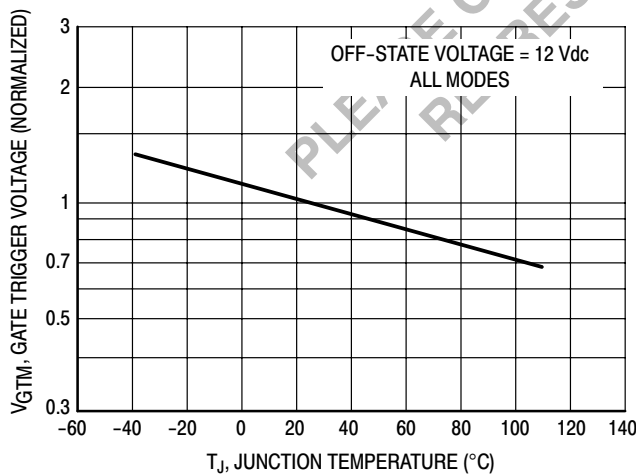


Figure 3. Typical Gate Trigger Voltage

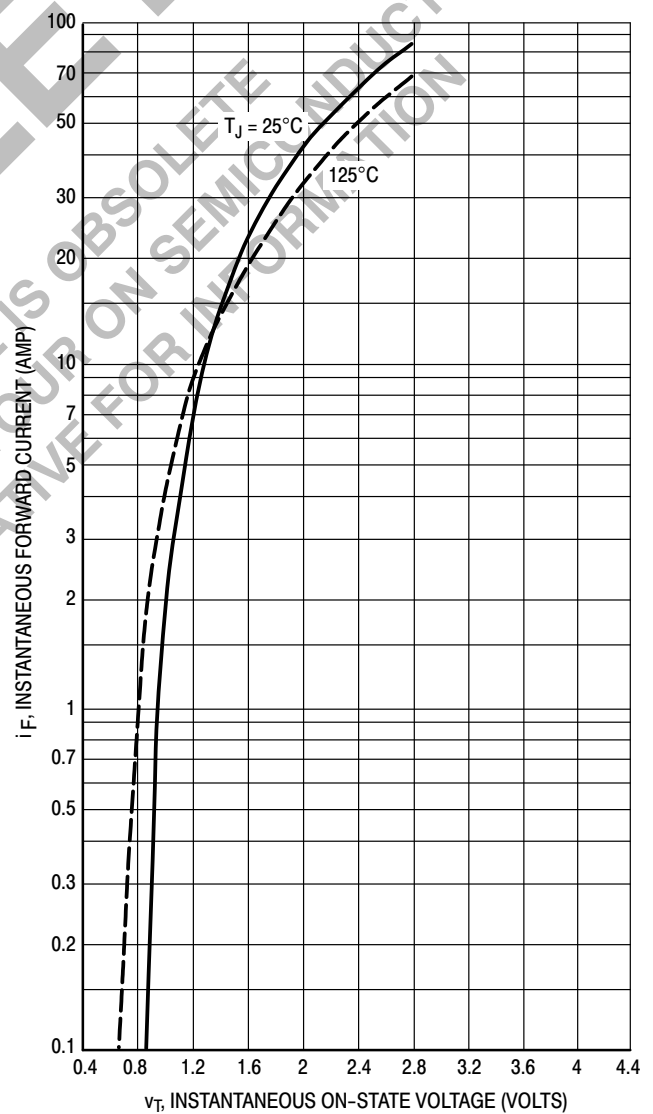


Figure 5. Maximum On-State Characteristics

# MAC15A6FP, MAC15A8FP, MAC15A10FP

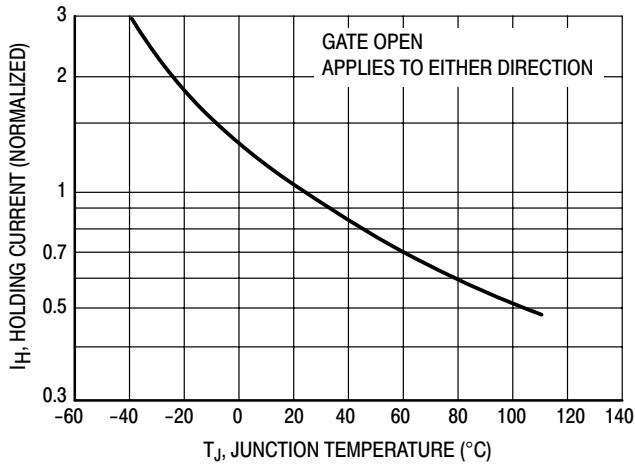


Figure 6. Typical Holding Current

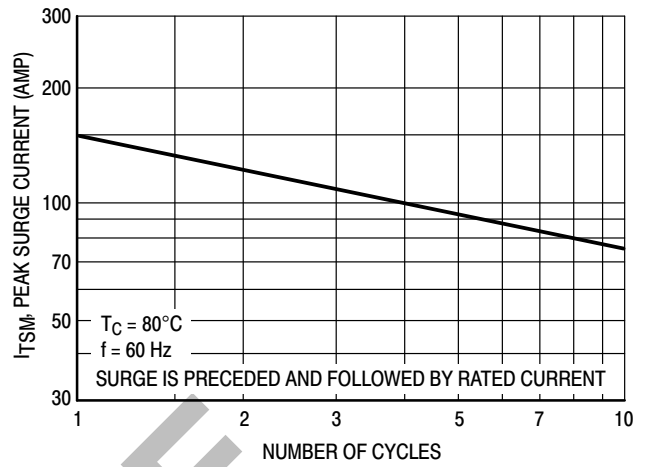


Figure 7. Maximum Nonrepetitive Surge Current

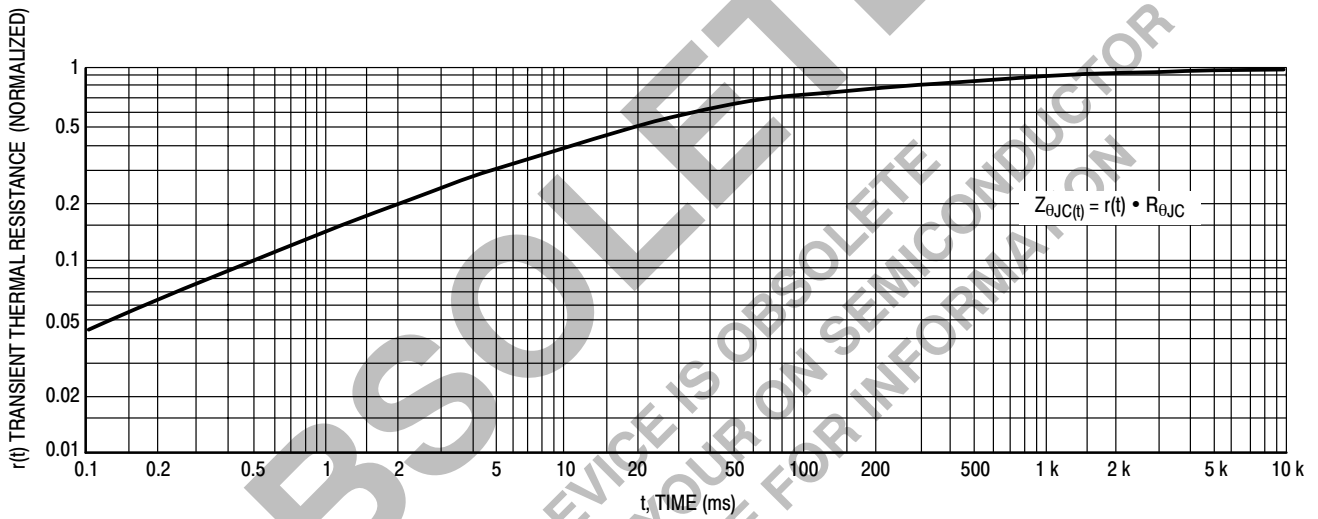
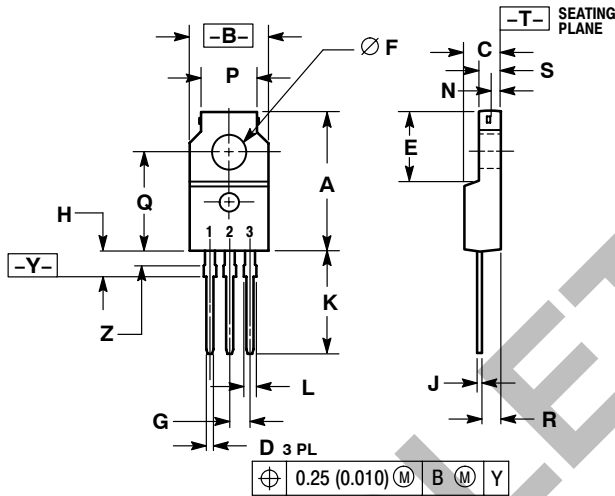


Figure 8. Thermal Response

# MAC15A6FP, MAC15A8FP, MAC15A10FP

## PACKAGE DIMENSIONS

### ISOLATED TO-220 Full Pack CASE 221C-02 ISSUE C



- NOTES:
1. DIMENSIONING AND TOLERANCING PER ANSI Y14.5M, 1982.
  2. CONTROLLING DIMENSION: INCH.
  3. LEAD DIMENSIONS UNCONTROLLED WITHIN DIMENSION Z.

DIM	INCHES		MILLIMETERS	
	MIN	MAX	MIN	MAX
A	0.680	0.700	17.28	17.78
B	0.388	0.408	9.86	10.36
C	0.175	0.195	4.45	4.95
D	0.025	0.040	0.64	1.01
E	0.340	0.355	8.64	9.01
F	0.140	0.150	3.56	3.81
G	0.100 BSC		2.54 BSC	
H	0.110	0.155	2.80	3.93
J	0.018	0.028	0.46	0.71
K	0.500	0.550	12.70	13.97
L	0.045	0.070	1.15	1.77
N	0.049	---	1.25	---
P	0.270	0.290	6.86	7.36
Q	0.480	0.500	12.20	12.70
R	0.090	0.120	2.29	3.04
S	0.105	0.115	2.67	2.92
Z	0.070	0.090	1.78	2.28

- STYLE 3:  
PIN 1. MT 1  
2. MT 2  
3. GATE

ON Semiconductor and are registered trademarks of Semiconductor Components Industries, LLC (SCILLC). SCILLC reserves the right to make changes without further notice to any products herein. SCILLC makes no warranty, representation or guarantee regarding the suitability of its products for any particular purpose, nor does SCILLC assume any liability arising out of the application or use of any product or circuit, and specifically disclaims any and all liability, including without limitation special, consequential or incidental damages. "Typical" parameters which may be provided in SCILLC data sheets and/or specifications can and do vary in different applications and actual performance may vary over time. All operating parameters, including "Typicals" must be validated for each customer application by customer's technical experts. SCILLC does not convey any license under its patent rights nor the rights of others. SCILLC products are not designed, intended, or authorized for use as components in systems intended for surgical implant into the body, or other applications intended to support or sustain life, or for any other application in which the failure of the SCILLC product could create a situation where personal injury or death may occur. Should Buyer purchase or use SCILLC products for any such unintended or unauthorized application, Buyer shall indemnify and hold SCILLC and its officers, employees, subsidiaries, affiliates, and distributors harmless against all claims, costs, damages, and expenses, and reasonable attorney fees arising out of, directly or indirectly, any claim of personal injury or death associated with such unintended or unauthorized use, even if such claim alleges that SCILLC was negligent regarding the design or manufacture of the part. SCILLC is an Equal Opportunity/Affirmative Action Employer. This literature is subject to all applicable copyright laws and is not for resale in any manner.

#### PUBLICATION ORDERING INFORMATION

**LITERATURE FULFILLMENT:**  
Literature Distribution Center for ON Semiconductor  
P.O. Box 5163, Denver, Colorado 80217 USA  
**Phone:** 303-675-2175 or 800-344-3860 Toll Free USA/Canada  
**Fax:** 303-675-2176 or 800-344-3867 Toll Free USA/Canada  
**Email:** orderlit@onsemi.com

**N. American Technical Support:** 800-282-9855 Toll Free  
USA/Canada  
**Europe, Middle East and Africa Technical Support:**  
Phone: 421 33 790 2910  
**Japan Customer Focus Center**  
Phone: 81-3-5773-3850

**ON Semiconductor Website:** [www.onsemi.com](http://www.onsemi.com)  
**Order Literature:** <http://www.onsemi.com/orderlit>  
For additional information, please contact your local Sales Representative