

MGP15N38CL, MGB15N38CL1.

Preferred Device

Ignition IGBT 15 Amps, 380 Volts N-Channel TO-220 and D²PAK

This Logic Level Insulated Gate Bipolar Transistor (IGBT) features Gate-Emitter ESD protection, Gate Collector Over-Voltage Protection from monolithic circuitry for usage as an Ignition Coil Driver.

- Temperature Compensated Gate – Collector Clamp Limits Stress Applied to Load
- Integrated ESD Diode Protection
- Low Threshold Voltage to Interface Power Loads to Logic or Microprocessor Devices
- Low Saturation Voltage
- High Pulsed Current Capability

MAXIMUM RATINGS (T_J = 25°C unless otherwise noted)

Rating	Symbol	Value	Unit
Collector-Emitter Voltage	V _{CES}	CLAMPED	V _{dc}
Collector-Gate Voltage	V _{CER}	CLAMPED	V _{dc}
Gate-Emitter Voltage	V _{GE}	CLAMPED	V _{dc}
Collector Current – Continuous	I _C	15	A _{dc}
Total Power Dissipation Derate above 25°C	P _D	136 0.91	Watts W/°C
Operating and Storage Temperature Range	T _J , T _{stg}	-55 to 175	°C

UNCLAMPED COLLECTOR-TO-EMITTER AVALANCHE CHARACTERISTICS (T_J < 150°C)

Single Pulse Collector-to-Emitter Avalanche Energy V _{CC} = 50 V, V _{GE} = 5.0 V, Peak I _L = 14.2 A, L = 3.0 mH, Starting T _J = 25°C	E _{AS}	300	mJ
V _{CC} = 50 V, V _{GE} = 5.0 V, Peak I _L = 10 A, L = 3.0 mH, Starting T _J = 150°C		150	

THERMAL CHARACTERISTICS

Thermal Resistance – Junction-to-Case – Junction-to-Ambient	R _{θJC} R _{θJA}	1.1 62.5	°C/W
Maximum Lead Temperature for Soldering Purposes, 1/8" from case for 5 seconds	T _L	260	°C

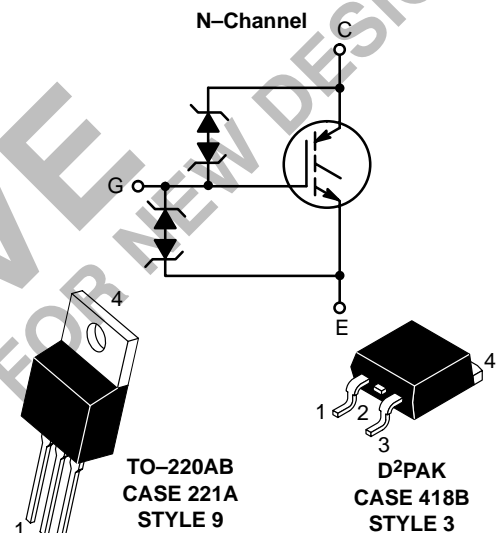


ON Semiconductor™

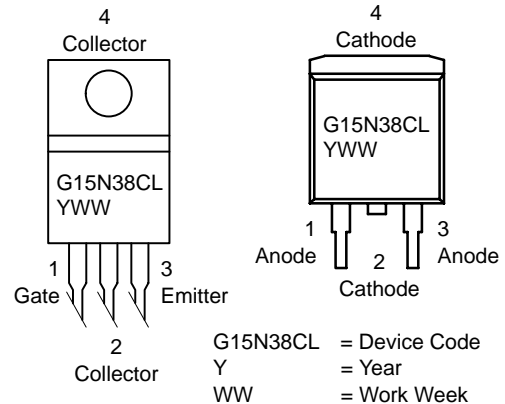
<http://onsemi.com>

**15 AMPERES
380 VOLTS (Clamped)**

V_{CE(on)} = 1.8 mΩ



MARKING DIAGRAMS & PIN ASSIGNMENTS



ORDERING INFORMATION

Device	Package	Shipping
MGP15N38CL	TO-220	50 Units/Rail
MGB15N38CLT4	D2PAK	800 Tape & Reel

Preferred devices are recommended choices for future use and best overall value.

MGP15N38CL, MGB15N38CL1.

ELECTRICAL CHARACTERISTICS (T_J = 25°C unless otherwise noted)

Characteristic	Symbol	Min	Typ	Max	Unit
----------------	--------	-----	-----	-----	------

OFF CHARACTERISTICS

Collector–Emitter Clamp Voltage (I _C = 1.0 mA, T _J = –40°C to 175°C)	V _{(BR)CES}	350	380	410	Vdc
Zero Gate Voltage Collector Current (V _{CE} = 300 V, V _{GE} = 0 V) (V _{CE} = 300 V, V _{GE} = 0 V, T _J = 150°C)	I _{CES}	–	–	10 150	μA _{dc}
Gate–Emitter Clamp Voltage (I _G = 5.0 mA)	V _{(BR)GES}	17	–	22	Vdc
Gate–Emitter Leakage Current (V _{GE} = 10 V)	I _{GES}	–	–	10	μA _{dc}

ON CHARACTERISTICS (Note 1.)

Gate Threshold Voltage (V _{GE} = V _{CE} , I _C = 1.0 mA) Threshold Temperature Coefficient (Negative)	V _{GE(th)}	1.3 –	1.8 4.4	2.1 –	Vdc mV/°C
Collector–to–Emitter On–Voltage (V _{GE} = 3.5 V, I _C = 6.0 A) (V _{GE} = 4.0 V, I _C = 10 A, T _J = 150°C)	V _{CE(on)}	– –	– –	2.0 1.8	Volts
Forward Transconductance (V _{CE} = 5.0 V, I _C = 10 A)	g _{fe}	8.0	19	–	Mhos

DYNAMIC CHARACTERISTICS

Input Capacitance	(V _{CC} = 15 V, V _{GE} = 0 V, f = 1.0 MHz)	C _{ies}	–	TBD	–	pF
Output Capacitance		C _{oes}	–	TBD	–	
Transfer Capacitance		C _{res}	–	TBD	–	

SWITCHING CHARACTERISTICS (Note 1.)

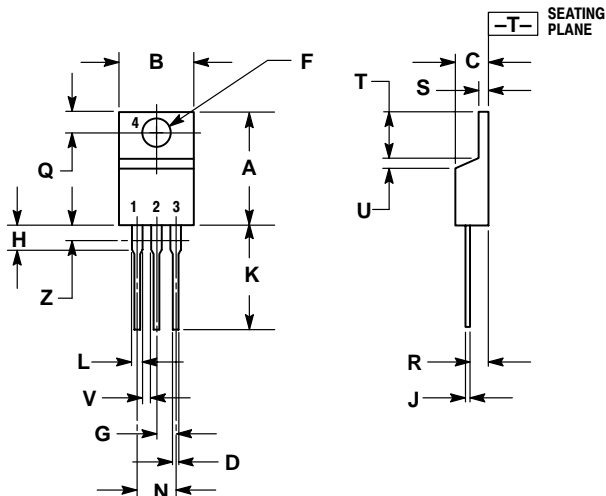
Turn–Off Delay Time	(V _{CC} = 300 V, I _C = 6.5 A, R _G = 1.0 kΩ, L = 300 μH)	t _{d(off)}	–	TBD	–	μSec
Fall Time		t _f	–	TBD	–	
Turn–On Delay Time	(V _{CC} = 10 V, I _C = 6.5 A, R _G = 1.0 kΩ, R _L = 1.0 Ω)	t _{d(on)}	–	TBD	–	μSec
Rise Time		t _r	–	TBD	–	
Gate Charge	(V _{CC} = 300 V, I _C = 15 A, V _{GE} = 5.0 V)	Q _T	–	TBD	–	nC
		Q ₁	–	TBD	–	
		Q ₂	–	TBD	–	

1. Pulse Test: Pulse Width ≤ 300 μS, Duty Cycle ≤ 2%.

MGP15N38CL, MGB15N38CL1.

PACKAGE DIMENSIONS

TO-220 THREE-LEAD
TO-220AB
CASE 221A-09
ISSUE AA



NOTES:

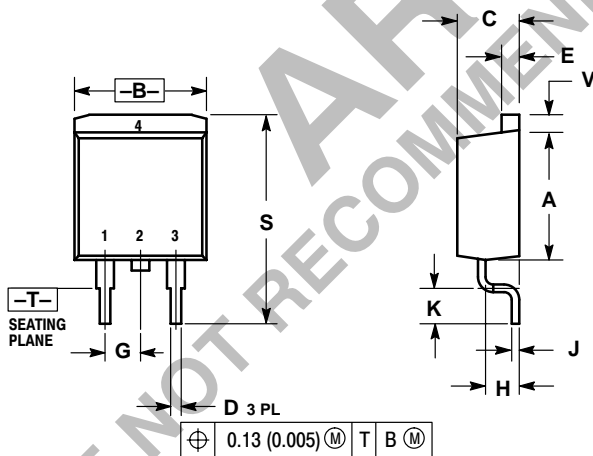
1. DIMENSIONING AND TOLERANCING PER ANSI Y14.5M, 1982.
2. CONTROLLING DIMENSION: INCH.
3. DIMENSION Z DEFINES A ZONE WHERE ALL BODY AND LEAD IRREGULARITIES ARE ALLOWED.

DIM	INCHES		MILLIMETERS	
	MIN	MAX	MIN	MAX
A	0.570	0.620	14.48	15.75
B	0.380	0.405	9.66	10.28
C	0.160	0.190	4.07	4.82
D	0.025	0.035	0.64	0.88
F	0.142	0.147	3.61	3.73
G	0.095	0.105	2.42	2.66
H	0.110	0.155	2.80	3.93
J	0.018	0.025	0.46	0.64
K	0.500	0.562	12.70	14.27
L	0.045	0.060	1.15	1.52
N	0.190	0.210	4.83	5.33
Q	0.100	0.120	2.54	3.04
R	0.080	0.110	2.04	2.79
S	0.045	0.055	1.15	1.39
T	0.235	0.255	5.97	6.47
U	0.000	0.050	0.00	1.27
V	0.045	---	1.15	---
Z	---	0.080	---	2.04

STYLE 9:

- PIN 1. GATE
- COLLECTOR
- EMITTER
- COLLECTOR

D²PAK
CASE 418B-03
ISSUE D




NOTES:

1. DIMENSIONING AND TOLERANCING PER ANSI Y14.5M, 1982.
2. CONTROLLING DIMENSION: INCH.

DIM	INCHES		MILLIMETERS	
	MIN	MAX	MIN	MAX
A	0.340	0.380	8.64	9.65
B	0.380	0.405	9.65	10.29
C	0.160	0.190	4.06	4.83
D	0.020	0.035	0.51	0.89
E	0.045	0.055	1.14	1.40
G	0.100 BSC		2.54 BSC	
H	0.080	0.110	2.03	2.79
J	0.018	0.025	0.46	0.64
K	0.090	0.110	2.29	2.79
S	0.575	0.625	14.60	15.88
V	0.045	0.055	1.14	1.40

STYLE 3:

- PIN 1. ANODE
- CATHODE
- ANODE
- CATHODE

ON Semiconductor and  are trademarks of Semiconductor Components Industries, LLC (SCILLC). SCILLC reserves the right to make changes without further notice to any products herein. SCILLC makes no warranty, representation or guarantee regarding the suitability of its products for any particular purpose, nor does SCILLC assume any liability arising out of the application or use of any product or circuit, and specifically disclaims any and all liability, including without limitation special, consequential or incidental damages. "Typical" parameters which may be provided in SCILLC data sheets and/or specifications can and do vary in different applications and actual performance may vary over time. All operating parameters, including "Typicals" must be validated for each customer application by customer's technical experts. SCILLC does not convey any license under its patent rights nor the rights of others. SCILLC products are not designed, intended, or authorized for use as components in systems intended for surgical implant into the body, or other applications intended to support or sustain life, or for any other application in which the failure of the SCILLC product could create a situation where personal injury or death may occur. Should Buyer purchase or use SCILLC products for any such unintended or unauthorized application, Buyer shall indemnify and hold SCILLC and its officers, employees, subsidiaries, affiliates, and distributors harmless against all claims, costs, damages, and expenses, and reasonable attorney fees arising out of, directly or indirectly, any claim of personal injury or death associated with such unintended or unauthorized use, even if such claim alleges that SCILLC was negligent regarding the design or manufacture of the part. SCILLC is an Equal Opportunity/Affirmative Action Employer.

PUBLICATION ORDERING INFORMATION

NORTH AMERICA Literature Fulfillment:

Literature Distribution Center for ON Semiconductor
P.O. Box 5163, Denver, Colorado 80217 USA
Phone: 303-675-2175 or 800-344-3860 Toll Free USA/Canada
Fax: 303-675-2176 or 800-344-3867 Toll Free USA/Canada
Email: ONlit@hibbertco.com
Fax Response Line: 303-675-2167 or 800-344-3810 Toll Free USA/Canada

N. American Technical Support: 800-282-9855 Toll Free USA/Canada

EUROPE: LDC for ON Semiconductor – European Support

German Phone: (+1) 303-308-7140 (Mon-Fri 2:30pm to 7:00pm CET)
Email: ONlit-german@hibbertco.com
French Phone: (+1) 303-308-7141 (Mon-Fri 2:00pm to 7:00pm CET)
Email: ONlit-french@hibbertco.com
English Phone: (+1) 303-308-7142 (Mon-Fri 12:00pm to 5:00pm GMT)
Email: ONlit@hibbertco.com

EUROPEAN TOLL-FREE ACCESS*: 00-800-4422-3781

*Available from Germany, France, Italy, UK, Ireland

CENTRAL/SOUTH AMERICA:

Spanish Phone: 303-308-7143 (Mon-Fri 8:00am to 5:00pm MST)
Email: ONlit-spanish@hibbertco.com
Toll-Free from Mexico: Dial 01-800-288-2872 for Access –
then Dial 866-297-9322

ASIA/PACIFIC: LDC for ON Semiconductor – Asia Support

Phone: 303-675-2121 (Tue-Fri 9:00am to 1:00pm, Hong Kong Time)
Toll Free from Hong Kong & Singapore:
001-800-4422-3781
Email: ONlit-asia@hibbertco.com

JAPAN: ON Semiconductor, Japan Customer Focus Center

4-32-1 Nishi-Gotanda, Shinagawa-ku, Tokyo, Japan 141-0031
Phone: 81-3-5740-2700
Email: r14525@onsemi.com

ON Semiconductor Website: <http://onsemi.com>

For additional information, please contact your local Sales Representative.