

# 2:1 MIPI D-PHY (1.5 Gbps) 4-Data Lane Switch



ON Semiconductor®

[www.onsemi.com](http://www.onsemi.com)



WLCSP36  
FC SUFFIX  
CASE 567LR

## Product Preview NL3HS644A

The NL3HS644A is a 4-data lane MIPI, D-PHY switch. This single-pole double-throw (SPDT) switch is optimized for switching between 2 high-speed or low-power MIPI sources. The NL3HS644A is designed for MIPI specifications and allows connection to a CSI or DSI module.

### Features

- Operating Supply:  $V_{CC} = 1.65\text{ V to }4.5\text{ V}$
- Switch Signal Range: 0 to  $V_{CC}$
- Signal Types: MIPI, D-PHY
- ON-Resistance:
  - $R_{ON} = 8\ \Omega$  (Typ) HS MIPI
  - $R_{ON} = 7.9\ \Omega$  (Typ) LP MIPI
- ON-Resistance Mismatch:
  - $\Delta R_{ON} = 0.09\ \Omega$  (Typ) HS MIPI
  - $\Delta R_{ON} = 0.17\ \Omega$  (Typ) LP MIPI
- ON Resistance Flatness:
  - $R_{ON\_FLAT} = 0.03\ \Omega$  (Typ) HS MIPI
  - $R_{ON\_FLAT} = 0.46\ \Omega$  (Typ) LP MIPI
- Supply Current:  $I_{CC} = 55\ \mu\text{A}$  (Max)
- Hi-Z Supply Current:  $I_{CCZ} = 5\ \mu\text{A}$  (Max)
- Off-Isolation:  $O_{IRR} = -27\ \text{dB}$  (Typ)
- Crosstalk:  $X_{TALK} = -28\ \text{dB}$  (Typ)
- Bandwidth:  $BW = 1,050\ \text{MHz}$  (Typ)
- Channel to Channel Skew:  $t_{SK} = 63\ \text{ps}$  (Typ)
- ON Capacitance:  $C_{ON} = 12.6\ \text{pF}$
- 36-Ball WLCSP Package, 2.36 mm x 2.36 mm
- This device is Pb-Free, Halogen-Free/BFR-Free and are RoHS-Compliant

### MARKING DIAGRAM



XXXXXX = Device Code  
A = Assembly Location  
WL = Wafer Lot  
Y = Year  
WW = Work Week  
▪ = Pb-Free Package

### ORDERING INFORMATION

See detailed ordering, marking and shipping information in the package dimensions section on page 8 of this data sheet.

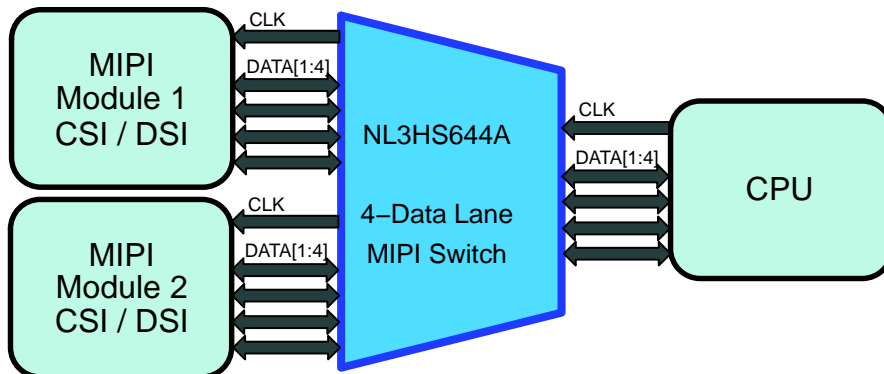


Figure 1. Typical Application – Mobile Phone

This document contains information on a product under development. ON Semiconductor reserves the right to change or discontinue this product without notice.

# NL3HS644A

## FUNCTION TABLE

OE	SEL	FUNCTION
L	L	CLKP = CLKAP, CLKN = CLKAN, DnP = DAnP, DnN = DAnN
L	H	CLKP = CLKBP, CLKN = CLKBN, DnP = DBnP, DnN = DBnN
H	X	CLKAP/CLKAN, CLKBP/CLKBN, DAnP/DAnN, DBnP/DBnN Ports at High Impedance

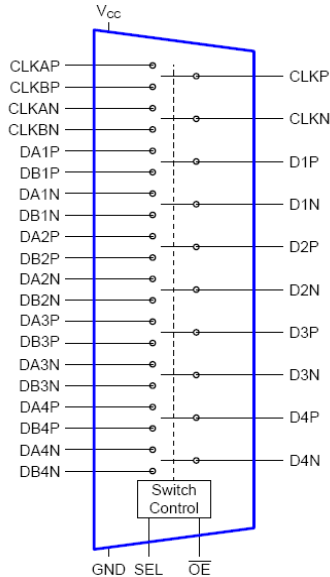


Figure 2. Block Diagram

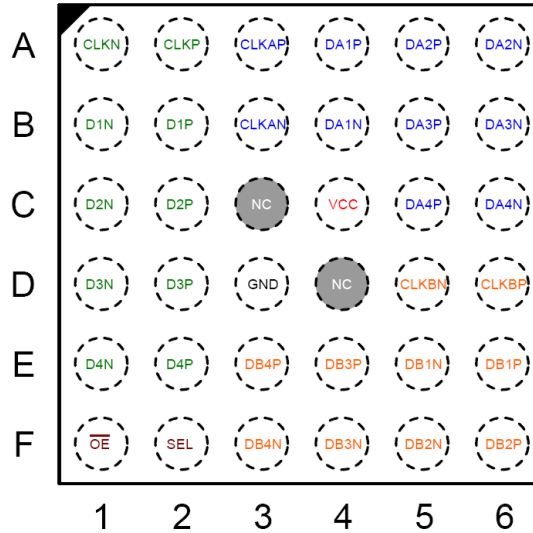


Figure 3. Pinout (Top Through View)

## PIN ASSIGNMENT

Pin Name	Ball	Description	
CLKP / CLKN	A2 / A1	Common Clock Path	
D1P / D1N	B2 / B1	Common Data Path 1	
D2P / D2N	C2 / C1	Common Data Path 2	
D3P / D3N	D2 / D1	Common Data Path 3	
D4P / D4N	E2 / E1	Common Data Path 4	
CLKAP / CLKAN	A3 / B3	A-Side Clock Path	
DA1P / DA1N	A4 / B4	A-Side Data Path 1	
DA2P / DA2N	A5 / A6	A-Side Data Path 2	
DA3P / DA3N	B5 / B6	A-Side Data Path 3	
DA4P / DA4N	C5 / C6	A-Side Data Path 4	
CLKBP / CLKBN	D6 / D5	B-Side Clock Path	
DB1P / DB1N	E6 / E5	B-Side Data Path 1	
DB2P / DB2N	F6 / F5	B-Side Data Path 2	
DB3P / DB3N	E4 / F4	B-Side Data Path 3	
DB4P / DB4N	E3 / F3	B-Side Data Path 4	
SEL	F2	Control Pin	
		SEL = L:	CLKP = CLKAP, CLKN = CLKAN, DnP = DAnP, DnN = DAnN
		SEL = H:	CLKP = CLKBP, CLKN = CLKBN, DnP = DBnP, DnN = DBnN
OE	F1	Output Enable	
VCC	C4	Power	
GND	D3	Ground	
NC	C3 / D4	No Connection (Do not connect externally)	

# NL3HS644A

## MAXIMUM RATINGS

Symbol	Rating	Value	Unit
$V_{CC}$	Positive DC Supply Voltage	-0.5 to +5.5	V
$V_{IS}$	Analog Input Voltage	-0.5 to $V_{CC} + 0.5$	V
$V_{IN}$	Digital Control Input Voltage (SEL or $\overline{OE}$ )	-0.5 to +5.5	V
$I_{OS}$	Switch Output Current	50	mA
$I_{IOK}$	Switch Input/Output Diode Current	-50	mA
$I_{IK}$	Control Input Diode Current	$\pm 50$	mA
$T_s$	Storage Temperature	-65 to +150	$^{\circ}C$

Stresses exceeding those listed in the Maximum Ratings table may damage the device. If any of these limits are exceeded, device functionality should not be assumed, damage may occur and reliability may be affected.

## RECOMMENDED OPERATING CONDITIONS

Symbol	Parameter	Min	Max	Unit	
$V_{CC}$	Positive DC Supply Voltage	1.65	4.5	V	
$V_{IS}$	Switch Input / Output Voltage			V	
		HS Mode	0.1	0.3	
		LP Mode	0	1.2	
$V_{IN}$	Digital Control Input Voltage (SEL or $\overline{OE}$ ) (Note 1)	GND	$V_{CC}$	V	

1. Control input must be held High or Low. It must not float.

## DC ELECTRICAL CHARACTERISTICS

Voltages referenced to GND. All typical values are at  $T_A = 25^{\circ}C$  unless otherwise specified.

Symbol	Parameter	Condition	$V_{CC}$ (V)	$T_A = -40^{\circ}C$ to $+85^{\circ}C$			Unit
				Min	Typ	Max	

### DIGITAL CONTROL SECTION (SEL or $\overline{OE}$ )

$V_{IK}$	Clamp Diode Voltage	$I_{IN} = -18$ mA	2.8			-1.2	V
$V_{IH}$	Input Voltage High		1.65 – 4.5	1.0			V
$V_{IL}$	Input Voltage Low		1.65 – 4.5			0.4	V
$I_{IN}$	Input Leakage Current	$V_{IN} = 0$ V to $V_{CC}$	1.65 – 4.5			$\pm 100$	nA

### SWITCHES

$R_{ON\_MIPL\_HS}$	Switch ON Resistance for HS MIPI Applications (Note 2)	$I_{ON} = -10$ mA, $\overline{OE} = 0$ V, SEL = $V_{CC}$ or 0 V, CLKA, CLKB, DBn or DAn = 0.1, 0.2, 0.3 V	1.8		9	12	$\Omega$
			2.5		8	9	
			3.6		8	9	
			4.5		8	9	
$R_{ON\_MIPL\_LP}$	Switch ON Resistance for LP MIPI Applications (Note 2)	$I_{ON} = -10$ mA, $\overline{OE} = 0$ V, SEL = $V_{CC}$ or 0 V, CLKA, CLKB, DBn or DAn = 0, 0.6, 1.2 V	1.8		9.5	12	$\Omega$
			2.5		8.5	10	
			3.6		7.9	9	
			4.5		7.6	9	
$\Delta R_{ON\_MIPL\_HS}$	ON Resistance Matching Between HS MIPI Channels (Note 3)	$I_{ON} = -10$ mA, $\overline{OE} = 0$ V, SEL = $V_{CC}$ or 0 V, CLKA, CLKB, DBn or DAn = 0.1, 0.2, 0.3 V	1.8		0.02		$\Omega$
			2.5		0.09		
			3.6		0.09		
			4.5		0.08		

2. Measured by the voltage drop between A and B pins at the indicated current through the switch. ON resistance is determined by the lower of the voltage on the two (A or B ports).
3. Guaranteed by characterization.

# NL3HS644A

## DC ELECTRICAL CHARACTERISTICS

Voltages referenced to GND. All typical values are at  $T_A = 25^\circ\text{C}$  unless otherwise specified.

Symbol	Parameter	Condition	$V_{CC}$ (V)	$T_A = -40^\circ\text{C to } +85^\circ\text{C}$			Unit
				Min	Typ	Max	
<b>SWITCHES</b>							
$\Delta R_{ON\_MIPI\_LP}$	ON Resistance Matching Between LP MIPI Channels (Note 3)	$I_{ON} = -10 \text{ mA}$ , $\overline{OE} = 0 \text{ V}$ , SEL = $V_{CC}$ or $0 \text{ V}$ , CLKA, CLKB, DBn or DAn = $0, 0.6, 1.2 \text{ V}$	1.8		0.17		$\Omega$
			2.5		0.12		
			3.6		0.17		
			4.5		0.09		
$R_{ON\_FLAT\_MIPI\_HS}$	ON Resistance Flatness for HS MIPI Channels (Note 3)	$I_{ON} = -10 \text{ mA}$ , $\overline{OE} = 0 \text{ V}$ , SEL = $V_{CC}$ or $0 \text{ V}$ , CLKA, CLKB, DBn or DAn = $0.1, 0.2, 0.3 \text{ V}$	1.8		0.23		$\Omega$
			2.5		0.11		
			3.6		0.03		
			4.5		0.02		
$R_{ON\_FLAT\_MIPI\_LP}$	ON Resistance Flatness for LP MIPI Channels (Note 3)	$I_{ON} = -10 \text{ mA}$ , $\overline{OE} = 0 \text{ V}$ , SEL = $V_{CC}$ or $0 \text{ V}$ , CLKA, CLKB, DBn or DAn = $0, 0.6, 1.2 \text{ V}$	1.8		2.09		$\Omega$
			2.5		1.19		
			3.6		0.46		
			4.5		0.08		
$I_{NO(OFF)}, I_{NC(OFF)}$	OFF Leakage Current (CLKAn, DAn, CLKBn, DBn)	CLKn, Dn = $0.3 \text{ V}$ , $V_{CC} - 0.3 \text{ V}$ , CLKAn, DAn, or CLKBn; DBn = $V_{CC} - 0.3 \text{ V}$ , $0.3 \text{ V}$ or Floating; $\overline{OE} = 0 \text{ V}$	1.65 – 4.5			$\pm 100$	nA
$I_{A(ON)}$	ON Leakage Current of Common Ports (CLKn, Dn)	CLKn, Dn = $0.3 \text{ V}$ , $V_{CC} - 0.3 \text{ V}$ , CLKAn, DAn, or CLKBn; DBn = $V_{CC} - 0.3 \text{ V}$ , $0.3 \text{ V}$ or Floating; $\overline{OE} = 0 \text{ V}$	1.65 – 4.5			$\pm 100$	nA
$V_{IK}$	Clamp Diode Voltage	$I_{IN} = -18 \text{ mA}$	2.8			-1.2	V
$I_{OZ}$	Off-State Leakage Current	$0 \leq \text{CLKn, Dn, CLKAn, CLKBn, DAn, DBn} \leq 3.6 \text{ V}$ ; $\overline{OE} = \text{High}$	4.5			$\pm 100$	nA

## SUPPLY CURRENTS

$I_{CCZ}$	Quiescent Hi-Z Supply Current	$V_{IN} = 0$ or $V_{CC}$ , $I_{OUT} = 0$	4.5			0.5	$\mu\text{A}$
$I_{CC}$	Quiescent Supply Current	$V_{IN} = 0$ or $V_{CC}$ , $I_{OUT} = 0$	2.5 to 4.5			55	$\mu\text{A}$
			1.8			30	
$I_{CCT}$	Increase in $I_{CC}$ Current per Control Voltage and $V_{CC}$	$V_{SEL}$ , $V(\overline{OE}) = 1.65 \text{ V}$	4.5			4.0	$\mu\text{A}$
			2.5			1.0	

2. Measured by the voltage drop between A and B pins at the indicated current through the switch. ON resistance is determined by the lower of the voltage on the two (A or B ports).
3. Guaranteed by characterization.

# NL3HS644A

**AC ELECTRICAL CHARACTERISTICS** All typical values are for  $V_{CC} = 3.3\text{ V}$  at  $T_A = 25^\circ\text{C}$  unless otherwise specified.

Symbol	Parameter	Condition	$V_{CC}$ (V)	$T_A = -40^\circ\text{C to } +85^\circ\text{C}$			Unit
				Min	Typ	Max	
$t_{\text{INIT}}$	Initialization Time $V_{CC}$ to Output (Notes 4, 5)	$R_L = 50\ \Omega$ , $C_L = 5\ \text{pF}$ , $V_{\text{IS}} = 1.2\ \text{V}$ Figure 4	2.5 to 4.5	100			$\mu\text{s}$
			1.8	150			
$t_{\text{EN}}$	Enable Turn-On Time $\overline{\text{OE}}$ to Output	$R_L = 50\ \Omega$ , $C_L = 5\ \text{pF}$ , $V_{\text{IS}} = 1.2\ \text{V}$ Figure 5	2.5 to 4.5		120	200	$\mu\text{s}$
			1.8		250	500	
$t_{\text{DIS}}$	Disable Turn-Off Time $\overline{\text{OE}}$ to Output	$R_L = 50\ \Omega$ , $C_L = 5\ \text{pF}$ , $V_{\text{IS}} = 1.2\ \text{V}$ Figure 5	2.5 to 4.5		25	50	ns
			1.8		50	90	
$t_{\text{ON}}$	Turn-On Time SEL to Output	$R_L = 50\ \Omega$ , $C_L = 5\ \text{pF}$ , $V_{\text{IS}} = 1.2\ \text{V}$ Figure 5	2.5 to 4.5		100	600	ns
			1.8		300	900	
$t_{\text{OFF}}$	Turn-Off Time SEL to Output	$R_L = 50\ \Omega$ , $C_L = 5\ \text{pF}$ , $V_{\text{IS}} = 1.2\ \text{V}$ Figure 5	2.5 to 4.5		50	200	ns
			1.8		200	325	
$t_{\text{BBM}}$	Break-Before-Make Time	$R_L = 50\ \Omega$ , $C_L = 5\ \text{pF}$ , $V_{\text{IS}} = 1.2\ \text{V}$ Figure 6		10	50		ns
$O_{\text{IRR}}$	Off-Isolation for MIPI (Note 4)	$R_L = 50\ \Omega$ , $f = 750\ \text{MHz}$ , $\overline{\text{OE}} = V_{CC}$ , $V_{\text{IS}} = -1\ \text{dBm}$ (200 mV <sub>PP</sub> )	1.65 to 4.5		-27		dB
$X_{\text{TALK}}$	Crosstalk for MIPI (Note 4)	$R_L = 50\ \Omega$ , $f = 750\ \text{MHz}$ , $V_{\text{IS}} = -1\ \text{dBm}$ (200 mV <sub>PP</sub> )	1.65 to 4.5		-28		dB
BW	-3 dB Bandwidth (Note 4)	$R_L = 50\ \Omega$ , $C_L = 0\ \text{pF}$	3.0	900	1050		MHz
$S_{\text{DD21}}$	Differential Data Rate	Inter-Operability Data Rate	3.0		1.5		Gbps

4. Guaranteed by characterization.

5. Wait time required after  $V_{CC}$  power-up to operating level before data access is valid.

## HIGH SPEED-RELATED AC ELECTRICAL CHARACTERISTICS

Symbol	Parameter	Condition	$V_{CC}$ (V)	$T_A = -40^\circ\text{C to } +85^\circ\text{C}$			Unit
				Min	Typ	Max	
$t_{\text{SK(O)}}$	Channel-to-Channel Single-Ended Skew (Note 6)	TDR-Based Method ( $V_{\text{IS}} = 0.2\ V_{\text{PP}}$ , $C_L = C_{\text{ON}}$ ) Figure 7	3.3		63	67	ps
$t_{\text{SK(P)}}$	Skew of Opposite Transitions of the Same Output (Note 6)	TDR-Based Method ( $V_{\text{IS}} = 0.2\ V_{\text{PP}}$ , $C_L = C_{\text{ON}}$ ) Figure 8	3.3		17	31	ps

6. Guaranteed by characterization.

## CAPACITANCE

Symbol	Parameter	Condition	$T_A = -40^\circ\text{C to } +85^\circ\text{C}$			Unit
			Min	Typ	Max	
$C_{\text{IN}}$	Control Pin Input Capacitance	$V_{CC} = 0\ \text{V}$ , $f = 1\ \text{MHz}$		14.9		pF
$C_{\text{ON}}$	Out ON Capacitance	$V_{CC} = 3.3\ \text{V}$ , $\overline{\text{OE}} = 0\ \text{V}$ , $f = 1\ \text{MHz}$		12.6		pF
$C_{\text{OFF}}$	Out OFF Capacitance	$V_{CC} = 3.3\ \text{V}$ , $\overline{\text{OE}} = 3.3\ \text{V}$ , $f = 1\ \text{MHz}$		7.4		pF

# NL3HS644A

## Timing Diagrams

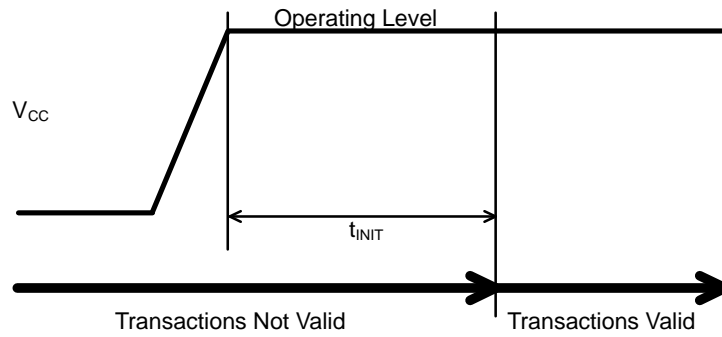


Figure 4.  $t_{INIT}$ , Initialization Time

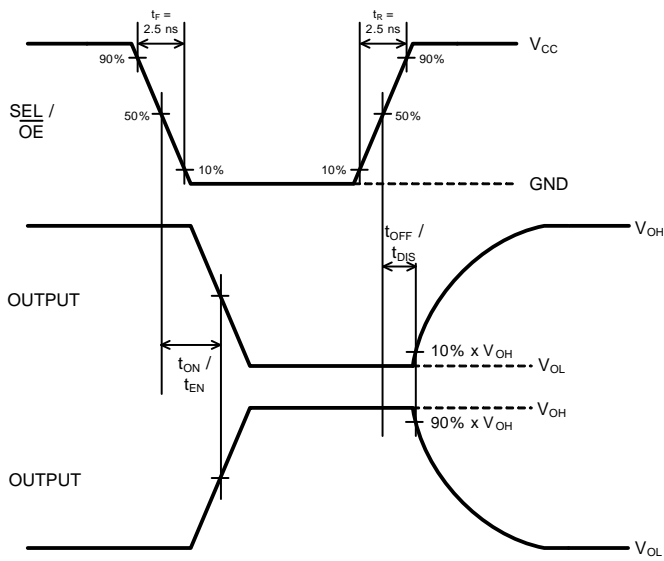


Figure 5.  $t_{EN}$ ,  $t_{DIS}$ ,  $t_{ON}$ ,  $t_{OFF}$  Times

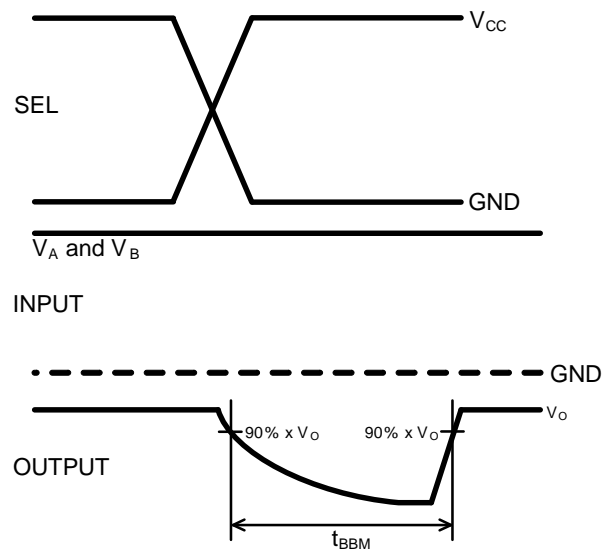


Figure 6.  $t_{BBM}$ , Break-Before-Make Time

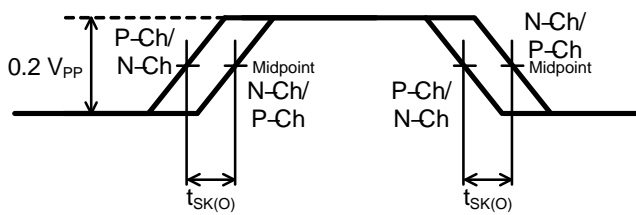


Figure 7.  $t_{SK(O)}$ , Channel-to-Channel Single-Ended

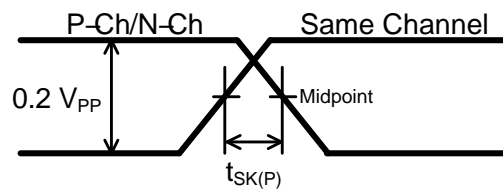


Figure 8.  $t_{SK(P)}$ , Same Channel Opposite Transitions

# NL3HS644A

## Eye Diagrams

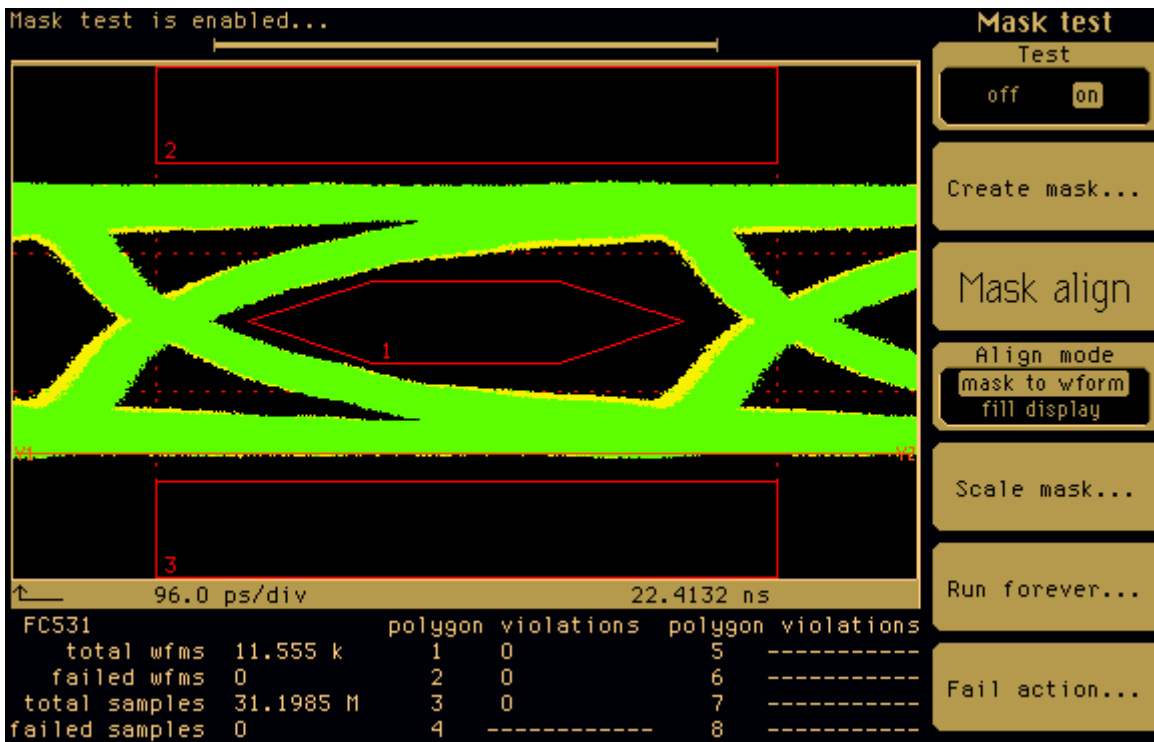


Figure 9. D-PHY HS 1.5 Gbps with Eye Mask

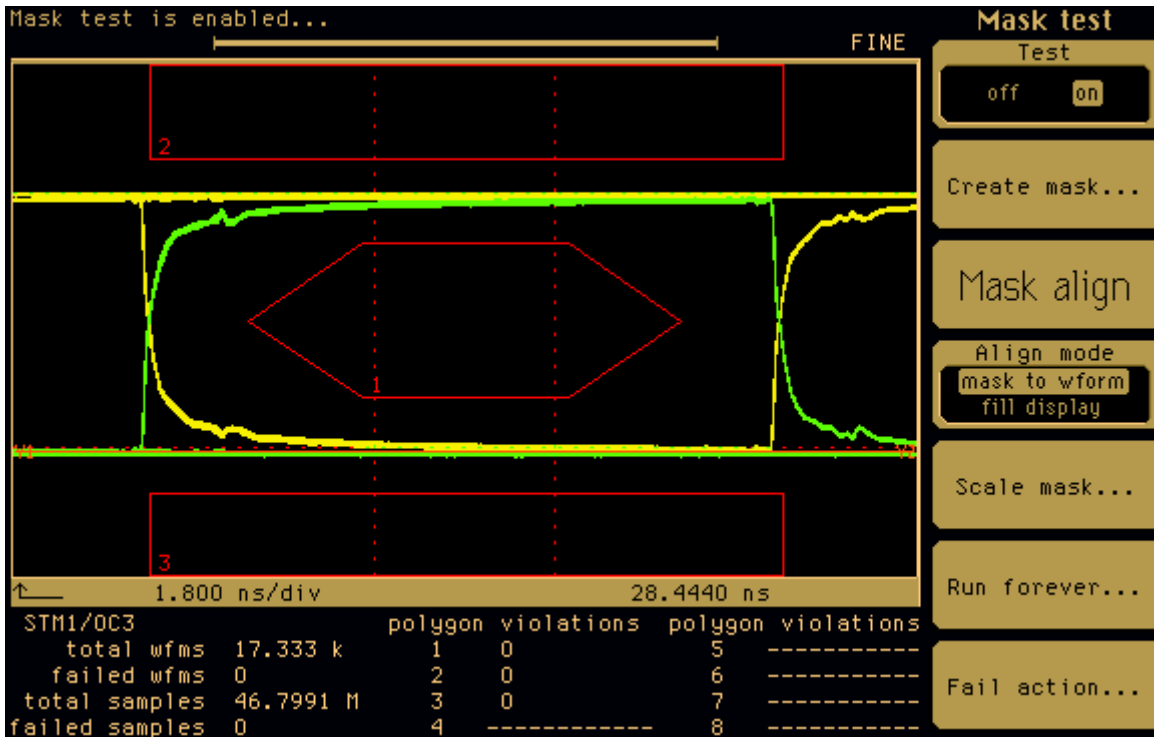


Figure 10. D-PHY LP 80 Mbps with Eye Mask

# NL3HS644A

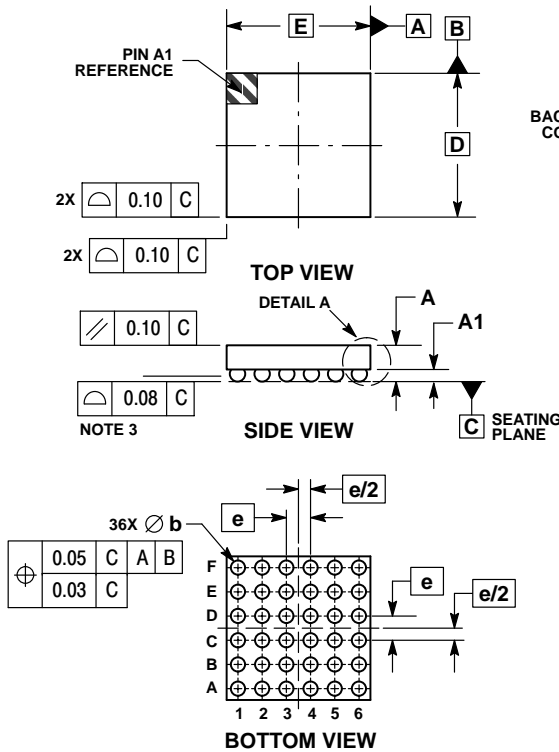
## DEVICE ORDERING INFORMATION

Device Order Number	Device Code	Package Type	Tape & Reel Size†
NL3HS644ABFCTAG (Backside Coated)	HS644B	36-ball WLCSP (Pb-Free)	3000 / Tape & Reel

†For information on tape and reel specifications, including part orientation and tape sizes, please refer to our Tape and Reel Packaging Specifications Brochure, BRD8011/D.

## PACKAGE DIMENSIONS

### WLCSP36 2.34x2.34 CASE 567LR ISSUE B

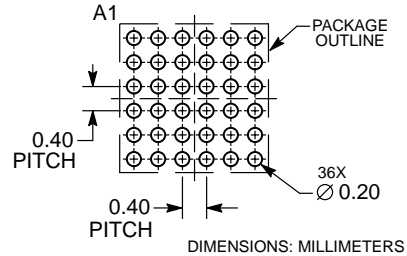


#### NOTES:

1. DIMENSIONING AND TOLERANCING PER ASME Y14.5M, 1994.
2. CONTROLLING DIMENSION: MILLIMETERS.
3. COPLANARITY APPLIES TO SPHERICAL CROWNS OF SOLDER BALLS.

DIM	MILLIMETERS	
	MIN	MAX
A	---	0.54
A1	0.17	0.23
A2	0.00	0.027
b	0.24	0.30
D	2.34 BSC	
E	2.34 BSC	
e	0.40 BSC	

### RECOMMENDED SOLDERING FOOTPRINT\*



\*For additional information on our Pb-Free strategy and soldering details, please download the ON Semiconductor Soldering and Mounting Techniques Reference Manual, SOLDERRM/D.

ON Semiconductor and are trademarks of Semiconductor Components Industries, LLC dba ON Semiconductor or its subsidiaries in the United States and/or other countries. ON Semiconductor owns the rights to a number of patents, trademarks, copyrights, trade secrets, and other intellectual property. A listing of ON Semiconductor's product/patent coverage may be accessed at [www.onsemi.com/site/pdf/Patent-Marketing.pdf](http://www.onsemi.com/site/pdf/Patent-Marketing.pdf). ON Semiconductor reserves the right to make changes without further notice to any products herein. ON Semiconductor makes no warranty, representation or guarantee regarding the suitability of its products for any particular purpose, nor does ON Semiconductor assume any liability arising out of the application or use of any product or circuit, and specifically disclaims any and all liability, including without limitation special, consequential or incidental damages. Buyer is responsible for its products and applications using ON Semiconductor products, including compliance with all laws, regulations and safety requirements or standards, regardless of any support or applications information provided by ON Semiconductor. "Typical" parameters which may be provided in ON Semiconductor data sheets and/or specifications can and do vary in different applications and actual performance may vary over time. All operating parameters, including "Typicals" must be validated for each customer application by customer's technical experts. ON Semiconductor does not convey any license under its patent rights nor the rights of others. ON Semiconductor products are not designed, intended, or authorized for use as a critical component in life support systems or any FDA Class 3 medical devices or medical devices with a same or similar classification in a foreign jurisdiction or any devices intended for implantation in the human body. Should Buyer purchase or use ON Semiconductor products for any such unintended or unauthorized application, Buyer shall indemnify and hold ON Semiconductor and its officers, employees, subsidiaries, affiliates, and distributors harmless against all claims, costs, damages, and expenses, and reasonable attorney fees arising out of, directly or indirectly, any claim of personal injury or death associated with such unintended or unauthorized use, even if such claim alleges that ON Semiconductor was negligent regarding the design or manufacture of the part. ON Semiconductor is an Equal Opportunity/Affirmative Action Employer. This literature is subject to all applicable copyright laws and is not for resale in any manner.

## PUBLICATION ORDERING INFORMATION

### LITERATURE FULFILLMENT:

Literature Distribution Center for ON Semiconductor  
19521 E. 32nd Pkwy, Aurora, Colorado 80011 USA  
Phone: 303-675-2175 or 800-344-3860 Toll Free USA/Canada  
Fax: 303-675-2176 or 800-344-3867 Toll Free USA/Canada  
Email: [orderlit@onsemi.com](mailto:orderlit@onsemi.com)

**N. American Technical Support:** 800-282-9855 Toll Free  
USA/Canada  
**Europe, Middle East and Africa Technical Support:**  
Phone: 421 33 790 2910

**ON Semiconductor Website:** [www.onsemi.com](http://www.onsemi.com)

**Order Literature:** <http://www.onsemi.com/orderlit>

For additional information, please contact your local Sales Representative