

STK541UC62A-E

Advance Information Intelligent Power Module (IPM) 600 V, 10 A

The STK541UC62A-E is a fully-integrated inverter power stage consisting of a high-voltage driver, six IGBT's and a thermistor, suitable for driving permanent magnet synchronous (PMSM) motors, brushless-DC (BLDC) motors and AC asynchronous motors. The IGBT's are configured in a 3-phase bridge.

The power stage has a full range of protection functions including cross-conduction protection, external shutdown and under-voltage lockout functions. Output stage uses IGBT/FRD technology and implements Under Voltage Protection (UVP) and Over Current Protection with a Fault Detection output flag. Internal Boost diodes are provided for high side gate boost drive.

Features

- Three-Phase 10 A / 600 V IGBT Module With Integrated Drivers
- Typical Values (Upper Side at 10 A): $V_{CE(sat)} = 1.4\text{ V}$, $V_F = 1.3\text{ V}$
- 62.0 mm x 21.8 mm Single In-line Package
- Cross-Conduction Protection
- Integrated Bootstrap Diodes and Resistors
- These Devices are Pb-Free and are RoHS Compliant

Certification

- UL1557 (File Number: E339285)

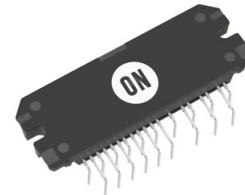
Typical Applications

- Industrial Pumps
- Industrial Fans
- Industrial Automation
- Heat Pumps, Home Appliances



ON Semiconductor®

www.onsemi.com



SIP23 62x21.8
CASE 127VB

MARKING DIAGRAM



STK541UC62A = Specific Device Code

A = Year
B = Month
C = Production Plant
D = Ordering Number

Device Marking in on Package Underside

ORDERING INFORMATION

See detailed ordering, marking and shipping information in the package dimensions section on page 13 of this data sheet.

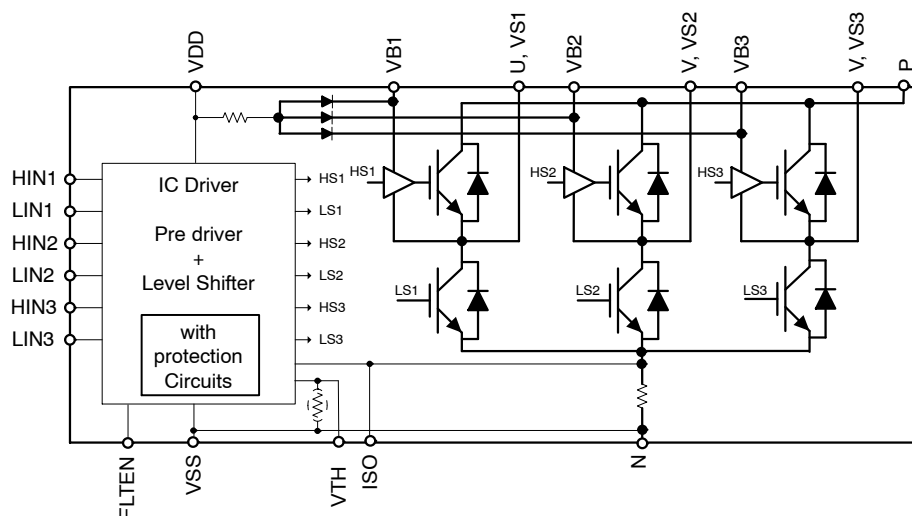


Figure 1. Functional Diagram

STK541UC62A-E

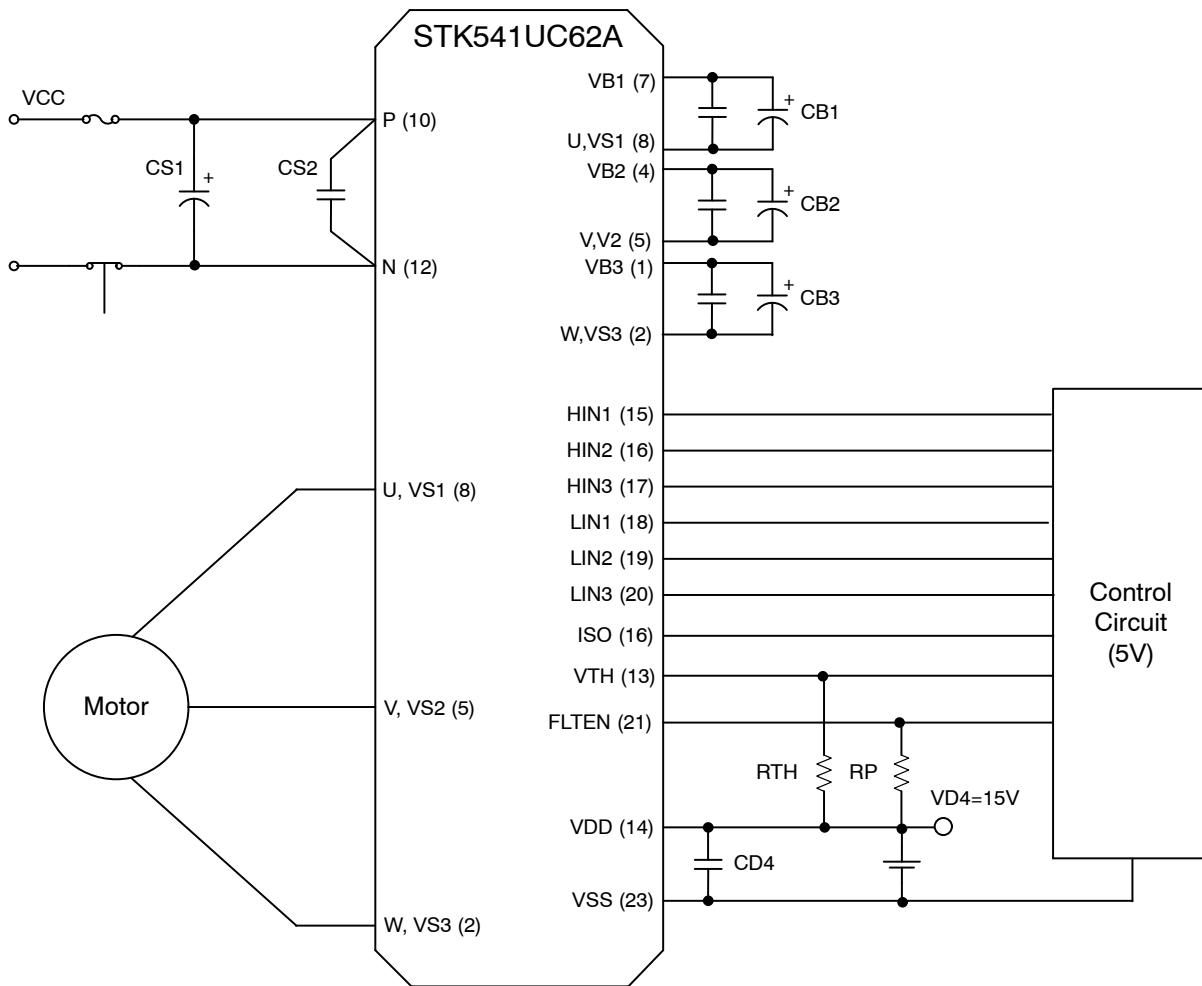


Figure 2. Application Schematic

Function Description

1. It is essential that wiring length between terminals in the snubber circuit be kept as short as possible to reduce the effect of surge voltages. Recommended value of "CS" is in the range of 0.1 to 10 μ F.
2. The "FLTEN" terminal (Pin 21) is I/O terminal; Fault output / Enable input. It is used to indicate an internal fault condition of the module and also can be used to disable the module operation.
3. Inside the IPM, a thermistor used as the temperature monitor for internal substrate is connected between VSS terminal and TH terminal therefore, an external pull up resistor connected between the TH terminal and an external power supply should be used.

4. The "ISO" terminal (Pin 22) is current monitor terminal. When the pull-down resistor is used, please select it more than 5.6 k Ω
5. As protection of IPM to the unusual current by a short circuit etc. it recommends installing shunt resistors and an over-current protection circuit outside. Moreover, for safety, a fuse on Vcc line is recommended.
6. Disconnection of terminals U, V, or W during normal motor operation will cause damage to IPM, use caution with this connection.
7. When input pulse width is less than 1 μ s, an output may not react to the pulse. (Both ON signal and OFF signal)

This data shows the example of the application circuit, does not guarantee a design as the mass production set.

STK541UC62A-E

Table 1. PIN FUNCTION DESCRIPTION

Pin #	Label	Description
1	VB3	High Side Floating Supply Voltage 3
2	W, VS3	Output 3 – High Side Floating Supply Offset Voltage
4	VB2	High Side Floating Supply Voltage 2
5	V, VS2	Output 2 – High Side Floating Supply Offset Voltage
7	VB1	High Side Floating Supply Voltage 1
8	U, VS1	Output 1 – High Side Floating Supply Offset Voltage
10	P	Positive Bus Input Voltage
12	N	Negative Bus Input Voltage
13	VTH	Temperature Feedback
14	VDD	+15 V Main Supply
15	HIN1	Logic Input High Side Gate Driver – Phase U
16	HIN2	Logic Input High Side Gate Driver – Phase V
17	HIN3	Logic Input High Side Gate Driver – Phase W
18	LIN1	Logic Input Low Side Gate Driver – Phase U
19	LIN2	Logic Input Low Side Gate Driver – Phase V
20	LIN3	Logic Input Low Side Gate Driver – Phase W
21	FLTEN	Fault output and Enable
22	ISO	Current monitor output
23	VSS	Negative Main Supply

1. Pins 3, 6, 9, 11 are not present.

Table 2. ABSOLUTE MAXIMUM RATINGS at T_C = 25°C, (Note 2)

Symbol	Parameter	Min	Max	Unit
Supply voltage	VCC	P to N, surge < 500 V (Notes 3)	450	V
Collector-emitter voltage	VCE	P to U, V, W or U, V, W, to N	600	V
Output current	I _o	P,N,U,V,W terminal current	±10	A
		P,N,U,V,W terminal current, T _c = 100°C	±5	A
Output peak current	I _{op}	P,N,U,V,W terminal current, P.W. = 1ms	±20	A
Pre-driver voltage	VD1,2,3,4	VB1 to U, VB2 to V, VB3 to W, VDD to VSS (Notes 4)	20	V
Input signal voltage	VIN	HIN1, 2, 3, LIN1, 2, 3	-0.3 to 7	V
FLTEN terminal voltage	VFLTEN	FLTEN terminal	-0.3 to VDD	V
Maximum power dissipation	P _d	IGBT per 1 channel	22	W
Junction temperature	T _j	IGBT, FRD, Pre-Driver IC	150	°C
Storage temperature	T _{stg}		-40 to +125	°C
Operating case temperature	T _c	IPM case	-40 to +100	°C
Tightening torque		A screw part (Notes 5)	0.9	Nm
Withstand voltage	Vis	50 Hz sine wave AC 1 minute (Notes 6)	2000	VRMS

Stresses exceeding those listed in the Maximum Ratings table may damage the device. If any of these limits are exceeded, device functionality should not be assumed, damage may occur and reliability may be affected.

- Refer to ELECTRICAL CHARACTERISTICS, RECOMMENDED OPERATING RANGES and/or APPLICATION INFORMATION for Safe Operating parameters.
- Surge voltage developed by the switching operation due to the wiring inductance between P and N terminal.
- VD1=VB1 to U, VD2=VB2 to V, VD3=VB3 to W, VD4=VDD to VSS terminal voltage.
- Flatness of the heat-sink should be less than -50 μm to +100 μm.
- Test conditions : AC2500V, 1 second
- Reference voltage is "VSS" terminal voltage unless otherwise specified.

STK541UC62A-E

Table 3. RECOMMENDED OPERATING RANGES (at $T_C = 25^\circ\text{C}$)

Characteristic	Symbol	Conditions	Min	Typ	Max	Unit
Supply voltage	V_{CC}	P to N	0	280	450	V
Pre-driver supply voltage	VD1, 2, 3	VB1 to U, VB2 to V, VB3 to W	12.5	15	17.5	V
	VD4	V_{DD} to V_{SS} (Note 8)	13.5	15	16.5	V
ON-state input voltage	VIN(ON)	HIN1,HIN2,HIN3,	0	-	0.3	V
OFF-state input voltage	VIN(OFF)	LIN1,LIN2,LIN3	3.0	-	5.0	
PWM frequency	fPWM		1.0		20	kHz
Dead time	DT	Turn-off to turn-on (external)	2.0	-	-	μs
Allowable input pulse width	PWIN	ON and OFF	1.0	-	-	μs
Package mounting torque		'M3' type screw	0.6		0.9	Nm

8. Pre-drive power supply (VD4 = 15±1.5 V) must have the capacity of $I_o = 20$ mA (DC), 0.5 A (Peak).

Table 4. ELECTRICAL CHARACTERISTICS $T_C = 25^\circ\text{C}$, VD1, VD2, VD3, VD4 = 15 V (Note 9)

Parameter	Symbol	Test Condition	Min	Typ	Max	Unit	
Power output section							
Collector-emitter leakage current	$V_{CE} = 600$ V	I_{CE}	-	-	100	μA	
Bootstrap diode reverse current	$V_R(\text{BD}) = 600$ V	$I_R(\text{BD})$	-	-	100	μA	
Collector to emitter saturation voltage	$I_c = 10$ A, $T_j = 25^\circ\text{C}$	Upper side	$V_{CE}(\text{sat})$	-	1.4	2.3	V
		Lower side (Note 9)		-	1.7	2.6	V
	$I_c = 5$ A, $T_j = 100^\circ\text{C}$	Upper side		-	1.3	-	V
		Lower side (Note 9)		-	1.6	-	V
Diode forward voltage	$I_F = 10$ A, $T_j = 25^\circ\text{C}$	Upper side	V_F	-	1.3	2.2	V
		Lower side (Note 9)		-	1.6	2.5	V
	$I_F = 5$ A, $T_j = 100^\circ\text{C}$	Upper side		-	1.2	-	V
		Lower side (Note 9)		-	1.5	-	V
Junction to case thermal resistance	IGBT	$\theta_{j-c}(\text{T})$	-	-	5.5	$^\circ\text{C}/\text{W}$	
	FRD	$\theta_{j-c}(\text{D})$	-	-	6.5		

Switching Character

Switching time	$I_o = 10$ A Inductive load	t ON	0.2	0.4	1.1	μs
		t OFF	-	0.5	1.2	μs
Turn-on switching loss	$I_c=5$ A, P = 300 V, $V_{DD} = 15$ V, L = 3.9 mH $T_c = 25^\circ\text{C}$	Eon	-	200	-	μJ
Turn-off switching loss		Eoff	-	130	-	μJ
Total switching loss		Etot	-	330	-	μJ
Turn-on switching loss	$I_c = 5$ A, P = 300 V, $V_{DD} = 15$ V, L = 3.9 mH $T_c = 100^\circ\text{C}$	Eon	-	240	-	μJ
Turn-off switching loss		Eoff	-	160	-	μJ
Total switching loss		Etot	-	400	-	μJ
Diode reverse recovery energy	$I_F = 5$ A, P = 400 V, $V_{DD} = 15$ V, L = 0.5 mH, $T_c = 100^\circ\text{C}$	Erec	-	17	-	μJ
Diode reverse recovery time		Trr	-	62	-	ns
Reverse bias safe operating area	$I_o = 20^\circ$, $V_{CE} = 450$ V	RBSOA	Full Square			
Short circuit safe operating area	$V_{CE} = 400$ V, $T_c=100^\circ\text{C}$	SCSOA	4.0	-	-	μs

Control (Pre-driver) section

Pre-driver power dissipation	VD1,2,3 = 15 V	ID	-	0.08	0.4	mA
	VD4 = 15 V		-	1.6	4.0	

STK541UC62A-E

Table 4. ELECTRICAL CHARACTERISTICS $T_C = 25^\circ\text{C}$, VD1, VD2, VD3, VD4 = 15 V (Note 9)

High level Input voltage	HIN1,HIN2,HIN3, LIN1,LIN2,LIN3 to VSS	Vin H	2.5	–		V
Low level Input voltage		Vin L	–	–	0.8	V
Input threshold voltage hysteresis		Vinth(hys)	0.5	0.8	–	V
Logic 1 input leakage current	VIN = +3.3V	I_{IN+}	76	118	160	μA
Logic 0 input leakage current	VIN = 0 V	I_{IN-}	97	150	203	μA
FLTEN terminal sink current	FAULT:ON / VFLTEN = 0.1 V	I_{oSD}	–	2.0	–	mA
FLTEN clearance delay time	From time fault condition clear	FLTCLR	6.0	9.0	12.0	ms
FLTEN Threshold	VEN rising	VEN+	2.5		–	V
	VEN falling	VEN–	–	–	0.8	V
V_{CC} and V_{BS} supply undervoltage protection reset		V_{CCUV+} V_{BSUV+}	10.5	11.1	11.7	V
V_{CC} and V_{BS} supply undervoltage protection set		V_{CCUV-} V_{BSUV-}	10.3	10.9	11.5	V
V_{CC} and V_{BS} supply undervoltage hysteresis		V_{CCUVH} V_{BSUVH}	0.14	0.2		V
Output level for current monitor	$I_o = 10\text{ A}$	ISO	0.30	0.33	0.36	V

Product parametric performance is indicated in the Electrical Characteristics for the listed test conditions, unless otherwise noted. Product performance may not be indicated by the Electrical Characteristics if operated under different conditions.

9. Reference voltage is "VSS" terminal voltage unless otherwise specified.

APPLICATIONS INFORMATION

Input / Output Timing Chart

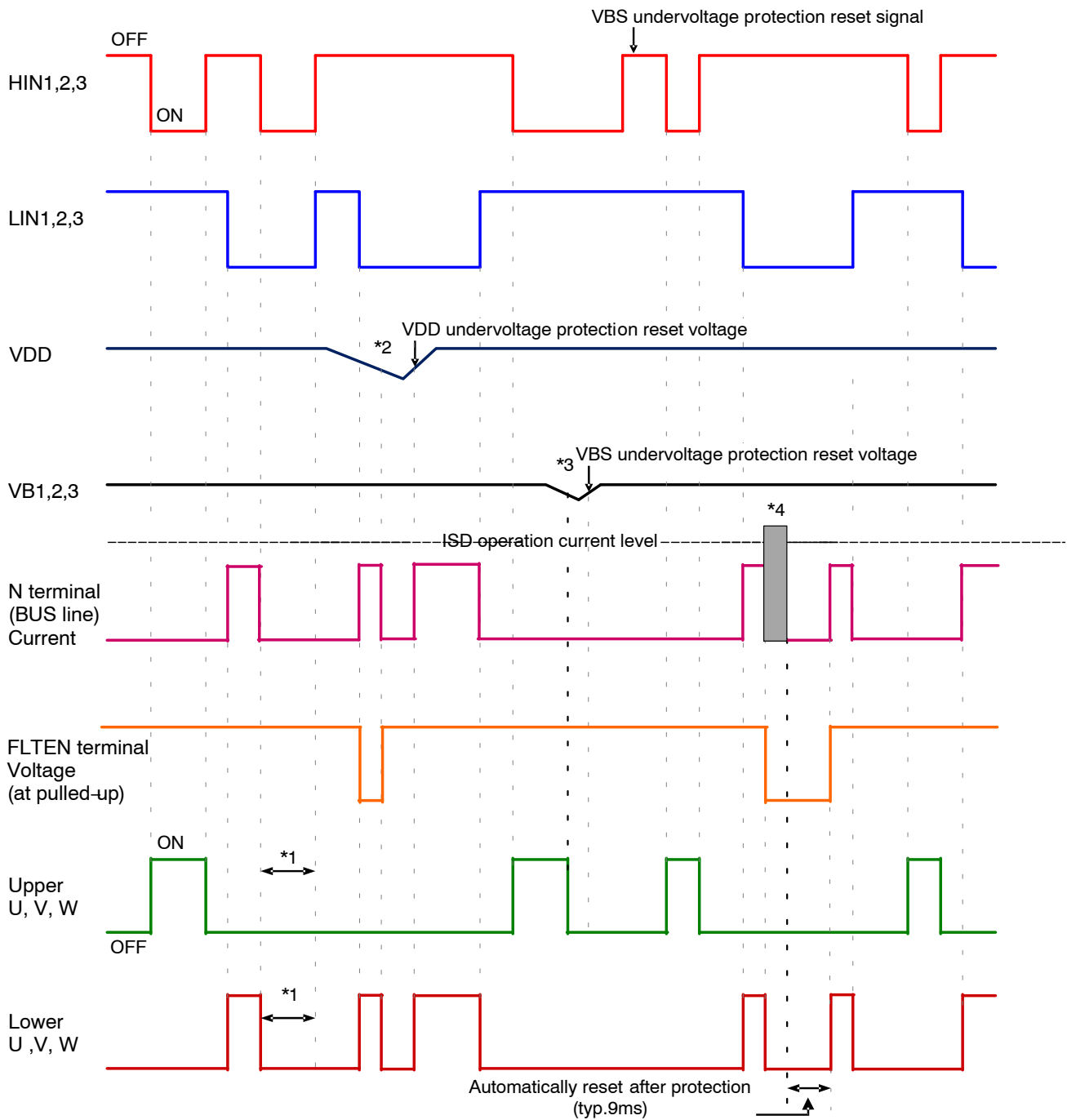


Figure 4. Input/Output Timing Chart

NOTES:

1. Shows the prevention of shoot-thru via control logic, however, more dead time must be added to account for switching delay externally.
2. When VDD decreases all gate output signals will go low and cut off all 6 IGBT outputs. When VDD rises the operation will resume immediately.
3. When the upper side voltage at VB1, VB2 and VB3 drops only the corresponding upper side output is turned off. The outputs return to normal operation immediately after the upper side gate voltage rises.
4. In case of over current detection, all IGBT's are turned off and the FAULT output is asserted. Normal operation resumes in typ. 9ms after the over current condition is removed.

STK541UC62A-E

Table 5. LOGIC LEVEL TABLE

INPUT			OUTPUT			
HIN	LIN	OCP	High side IGBT	Low side IGBT	U,V,W	FLTEN
H	L	OFF	OFF	ON	P	OFF
L	H	OFF	ON	OFF	N	OFF
L	L	OFF	OFF	OFF	High Impedance	OFF
H	H	OFF	OFF	OFF	High Impedance	OFF
X	X	ON	OFF	OFF	High Impedance	ON

Table 6. THERMISTOR CHARACTERISTICS

Parameter	Symbol	Condition	Min	Typ	Max	Unit
Resistance	R ₂₅	T _c = 25°C	99	100	101	kΩ
	R ₁₀₀	T _c = 100°C	5.12	5.38	5.66	kΩ
B-Constant (25 to 50°C)	B		4160	4250	4335	K
Temperature Range			-40	-	+125	°C

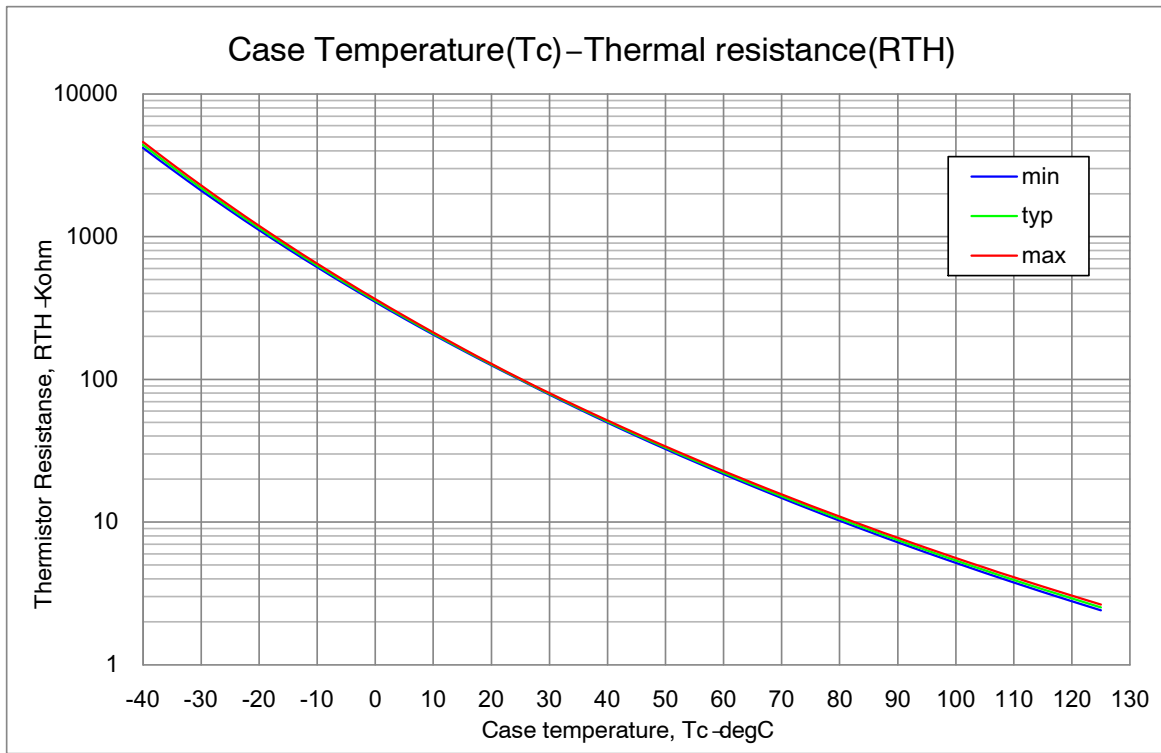


Figure 5. Thermistor Resistance versus Case Temperature

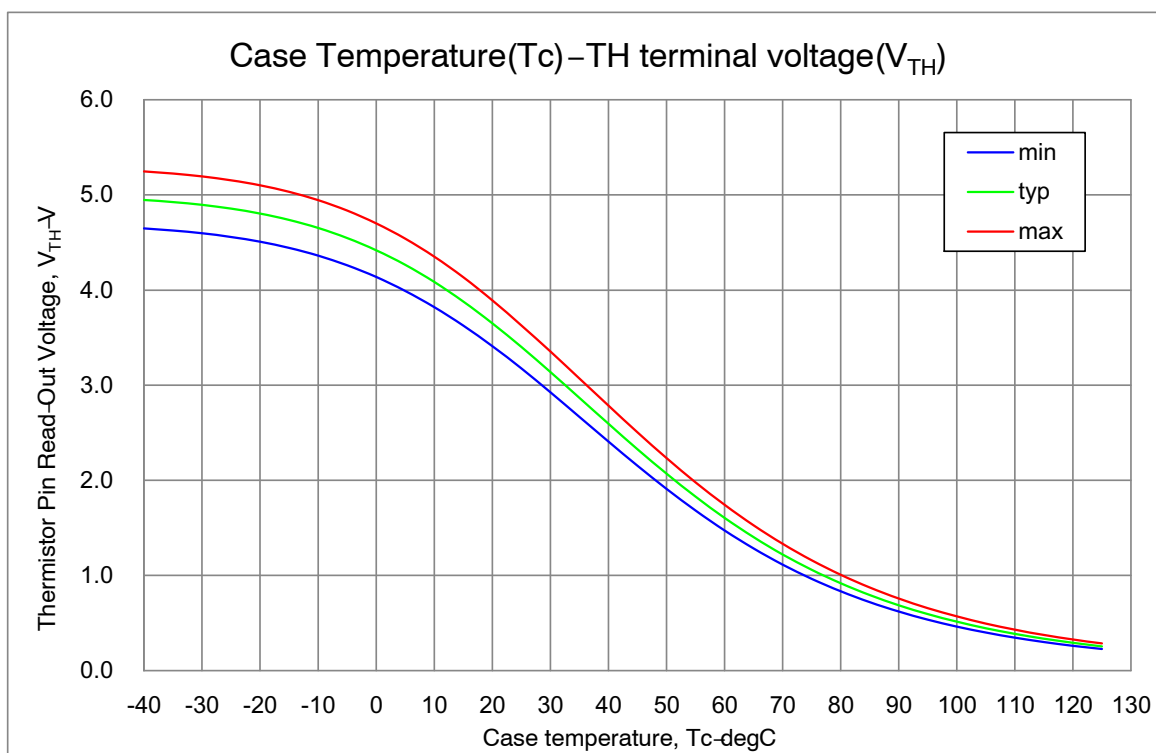


Figure 6. Thermistor Voltage versus Case Temperature Condition: Pull-up resistor = 4.7 kphm, Pull-up voltage of TH = 5 V

Fault Output

The FLTEN terminal is an open drain output requiring a pull-up resistor. If the pull-up voltage is 5 V, use a pull-up resistor with a value of 6.8 k Ω or higher. If the pull-up voltage is 15 V, use a pull-up resistor with a value of 20 k Ω or higher. The FAULT output is triggered if there is a VDD under voltage or an overcurrent condition.

The terminal has a function of enable output, this pin is used to enable or shut down the built-in driver. If the voltage on the FLTEN pin rises above the ENABLE ON-state voltage, the output drivers are enabled. If the voltage on the FLTEN pin falls below the ENABLE OFF-state voltage, the drivers are disabled.

Under Voltage Lockout Protection.

If VDD goes below the VDD supply under voltage lockout falling threshold, the FAULT output is switched on. The FAULT output stays on until VDD rises above the VDD supply under voltage lockout rising threshold. After VDD has risen above the threshold to enable normal operation, the driver waits to receive an input signal on the LIN input before enabling the driver for the HIN signal.

Overcurrent Protection

Over current protection is implemented by measuring the voltage across a shunt resistor to negative supply terminal. In case of an OCP fault the gate drivers are shut down internally and the external Fault signal becomes active (low).

Once activated by a fault condition the FAULT signal output returns to inactive (and is pulled high by the external resistor) when the fault condition is over and the fault clear time (FLTCLR) has passed. This implies that the system microcontroller needs to disable all input signals to the module by driving them low upon detection of a fault condition. An additional fuse is recommended to protect against system level or abnormal over-current fault conditions.

Capacitors on High Voltage and V_{DD} supplies

Both the high voltage and V_{DD} supplies require an electrolytic capacitor and an additional high frequency capacitor.

Minimum input pulse width

When input pulse width is less than 1.0 μ s, an output may not react to the pulse. (Both ON signal and OFF signal)

Calculation of bootstrap capacitor value

The bootstrap capacitor value CB is calculated using the following approach. The following parameters influence the choice of bootstrap capacitor:

- VBS : Bootstrap power supply.
15 V is recommended.
- QG : Total gate charge of IGBT at VBS = 15 V.
89nC

STK541UC62A-E

- UVLO : Falling threshold for UVLO.
Specified as 12 V.
- ID_{MAX} : High side drive consumption current.
Specified as 400 μA
- t_{ONMAX} : Maximum ON pulse width of high side IGBT.

Capacitance calculation formula

$$CB = (QG + ID_{MAX} * t_{ONMAX}) / (VBS - UVLO)$$

CB is recommended to be approximately 3 times the value calculated above. The recommended value of CB is in the range of 1 to 47 μF, however, the value needs to be verified prior to production. When not using the bootstrap circuit, each high side driver power supply requires an external independent power supply.

The internal bootstrap circuit uses a MOSFET. The turn on time of this MOSFET is synchronized with the turn on of the low side IGBT. The bootstrap capacitor is charged by turning on the low side IGBT.

If the low side IGBT is held on for a long period of time (more than one second for example), the bootstrap voltage on the high side MOSFET will slowly discharge.

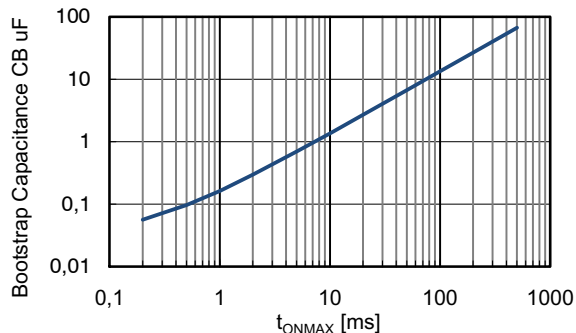


Figure 7. Bootstrap capacitance versus t_{ONMAX}

Table 7. MOUNTING INSTRUCTIONS

Item	Recommended Condition
Pitch	56.0 ± 0.1 mm (Please refer to Package Outline Diagram)
Screw	Diameter : M3 Screw head types: pan head, truss head, binding head
Washer	Plane washer The size is D : 7 mm, d : 3.2 mm and t : 0.5 mm JIS B 1256
Heat sink	Material: Aluminum or Copper Warpage (the surface that contacts IPM) : -50 to +100 μm Screw holes must be countersunk No contamination on the heat sink surface that contacts IPM
Torque	Final tightening : 0.6 to 0.9 Nm Temporary tightening : 20 to 30 % of final tightening
Grease	Silicone grease Thickness : 100 to 200 μm Uniformly apply silicone grease to whole back

STK541UC62A-E

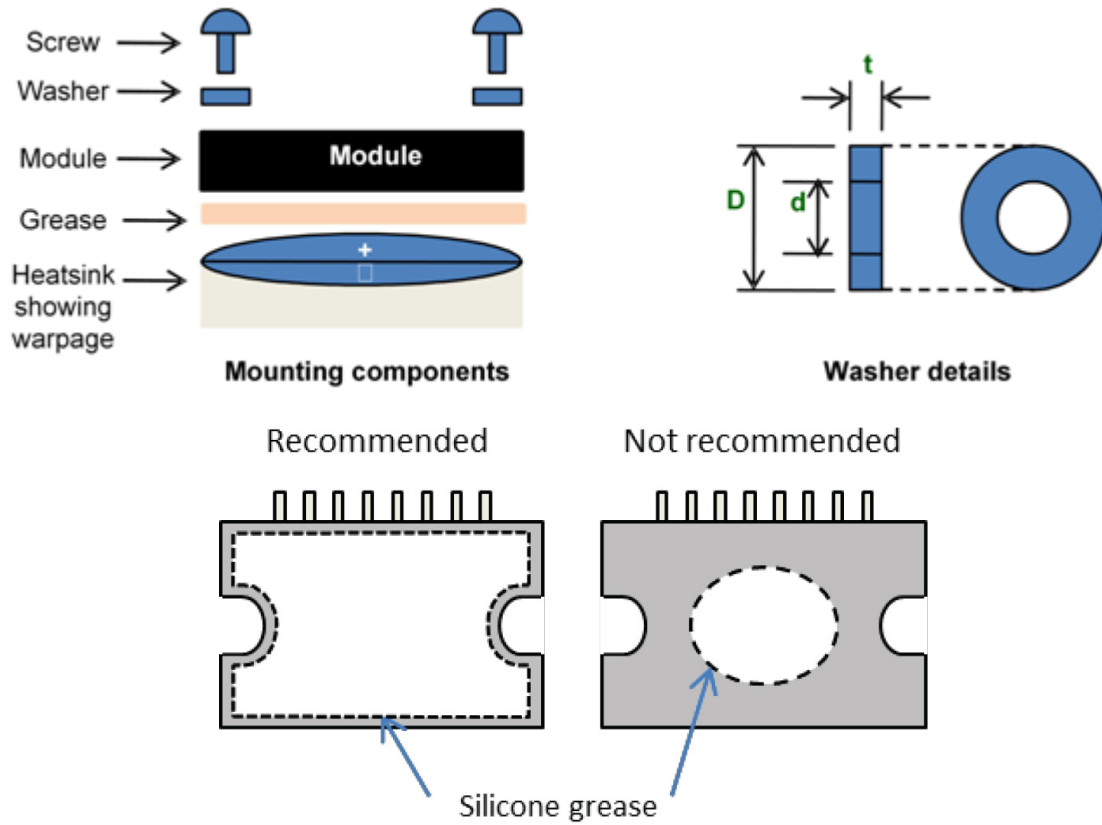


Figure 8. Module Mounting Details: Components; Washer Drawing; Need for Even Spreading of Thermal Grease

- $V_{CE(sat)}$ (Test by pulse)

- I_{CE}

	U+	V+	W+	U-	V-	W-
M	10	10	10	8	5	2
N	8	5	2	12	12	12

	U(DB)	V(DB)	W(DB)
M	7	4	1
N	23	23	23

U+, V+, W+ : High side phase

U-, V-, W- : Low side phase

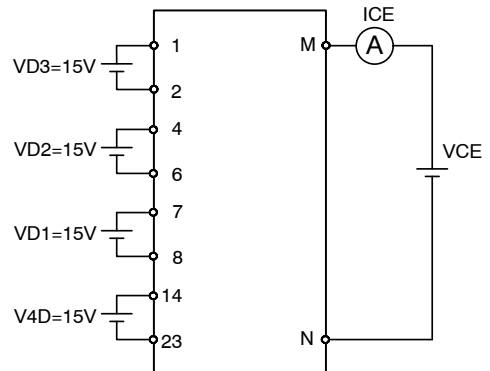


Figure 9. Test Circuit for ICE

STK541UC62A-E

• $V_{CE(sat)}$ (Test by pulse)

	U+	V+	W+	U-	V-	W-
M	10	10	10	8	5	2
N	8	5	2	12	12	12
m	15	16	17	18	19	

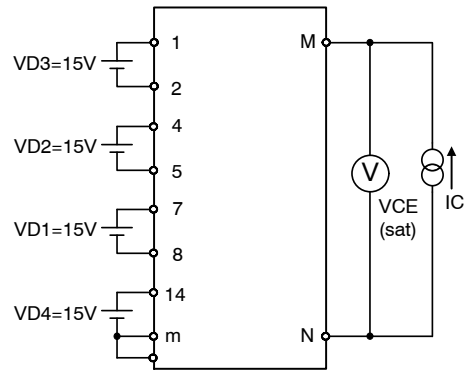


Figure 10. Test Circuit for $V_{CE(sat)}$

• V_F (Test by pulse)

	U+	V+	W+	U-	V-	W-
M	10	10	10	8	5	2
N	8	5	2	12	12	12

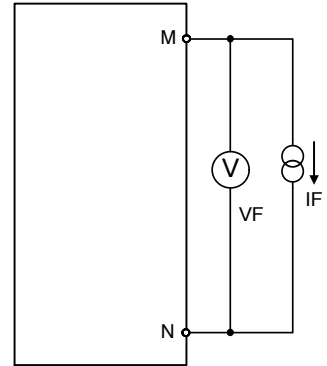


Figure 11. Test Circuit for $V_{CE(sat)}$

• I_D

	VD1	VD2	VD3	VD4
M	7	4	1	14
N	8	5	2	23

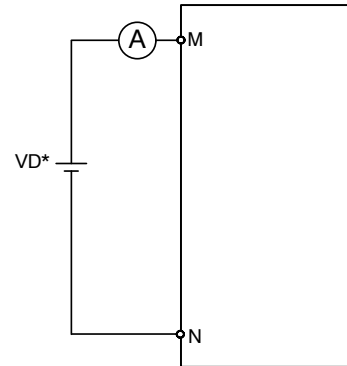


Figure 12. Test Circuit for I_D

STK541UC62A-E

- Switching time (The circuit is a representative example of the low side U phase)

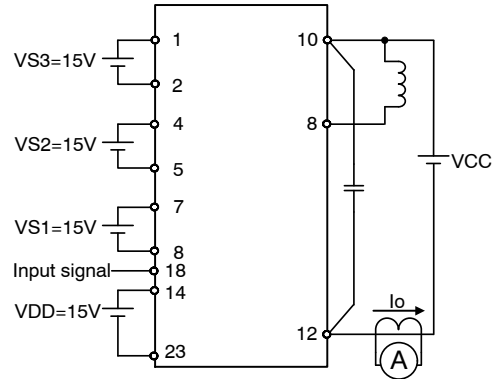
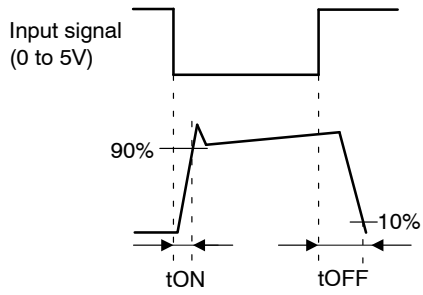


Figure 13. Switching Time Test Circuit

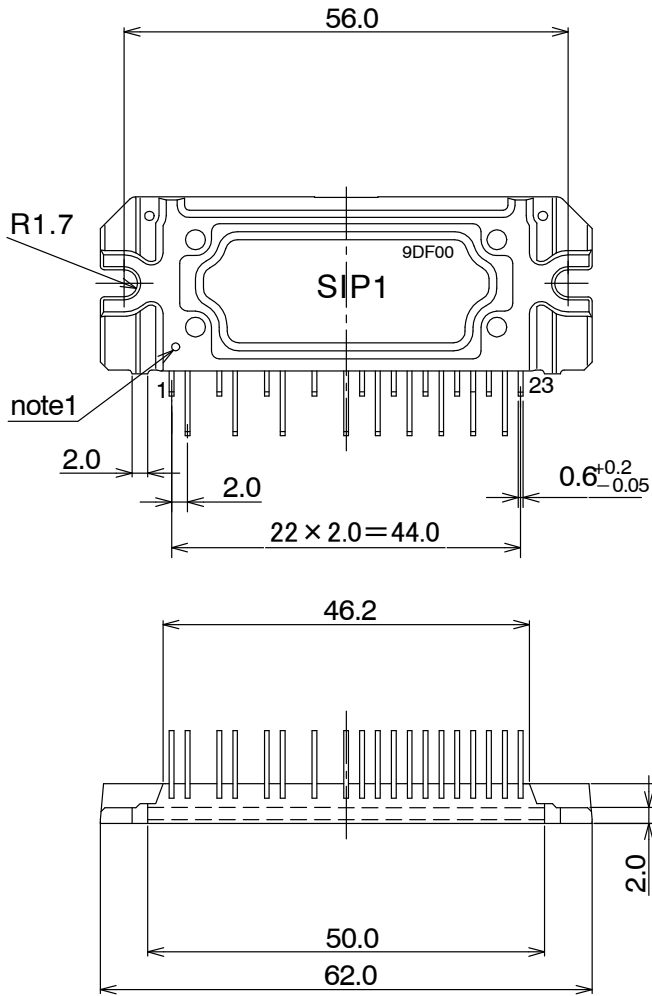
Table 8. ORDERING INFORMATION

Device	Marking	Package	Shipping
STK541UC62A-E	STK541UC62A	SIP23 62x21.8 (Pb-Free)	8 Unit / Tube

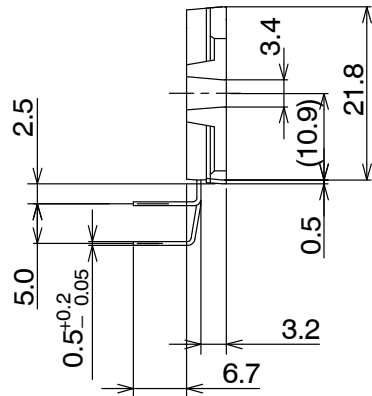
STK541UC62A-E


PACKAGE DIMENSIONS

SIP23 56x21.8
CASE 127BV
ISSUE 0



missing pin : 3,6,9,11



ON Semiconductor and  are trademarks of Semiconductor Components Industries, LLC dba ON Semiconductor or its subsidiaries in the United States and/or other countries. ON Semiconductor owns the rights to a number of patents, trademarks, copyrights, trade secrets, and other intellectual property. A listing of ON Semiconductor's product/patent coverage may be accessed at www.onsemi.com/site/pdf/Patent-Marking.pdf. ON Semiconductor reserves the right to make changes without further notice to any products herein. ON Semiconductor makes no warranty, representation or guarantee regarding the suitability of its products for any particular purpose, nor does ON Semiconductor assume any liability arising out of the application or use of any product or circuit, and specifically disclaims any and all liability, including without limitation special, consequential or incidental damages. Buyer is responsible for its products and applications using ON Semiconductor products, including compliance with all laws, regulations and safety requirements or standards, regardless of any support or applications information provided by ON Semiconductor. "Typical" parameters which may be provided in ON Semiconductor data sheets and/or specifications can and do vary in different applications and actual performance may vary over time. All operating parameters, including "Typicals" must be validated for each customer application by customer's technical experts. ON Semiconductor does not convey any license under its patent rights nor the rights of others. ON Semiconductor products are not designed, intended, or authorized for use as a critical component in life support systems or any FDA Class 3 medical devices or medical devices with a same or similar classification in a foreign jurisdiction or any devices intended for implantation in the human body. Should Buyer purchase or use ON Semiconductor products for any such unintended or unauthorized application, Buyer shall indemnify and hold ON Semiconductor and its officers, employees, subsidiaries, affiliates, and distributors harmless against all claims, costs, damages, and expenses, and reasonable attorney fees arising out of, directly or indirectly, any claim of personal injury or death associated with such unintended or unauthorized use, even if such claim alleges that ON Semiconductor was negligent regarding the design or manufacture of the part. ON Semiconductor is an Equal Opportunity/Affirmative Action Employer. This literature is subject to all applicable copyright laws and is not for resale in any manner.

PUBLICATION ORDERING INFORMATION

LITERATURE FULFILLMENT:

Literature Distribution Center for ON Semiconductor
19521 E. 32nd Pkwy, Aurora, Colorado 80011 USA
Phone: 303-675-2175 or 800-344-3860 Toll Free USA/Canada
Fax: 303-675-2176 or 800-344-3867 Toll Free USA/Canada
Email: orderlit@onsemi.com

N. American Technical Support: 800-282-9855 Toll Free
USA/Canada
Europe, Middle East and Africa Technical Support:
Phone: 421 33 790 2910
Japan Customer Focus Center
Phone: 81-3-5817-1050

ON Semiconductor Website: www.onsemi.com
Order Literature: <http://www.onsemi.com/orderlit>

For additional information, please contact your local Sales Representative