

1.8V to 3.3V, PicoPLL, 3-PLL, 200 MHz, 8 Output Clock IC

Features

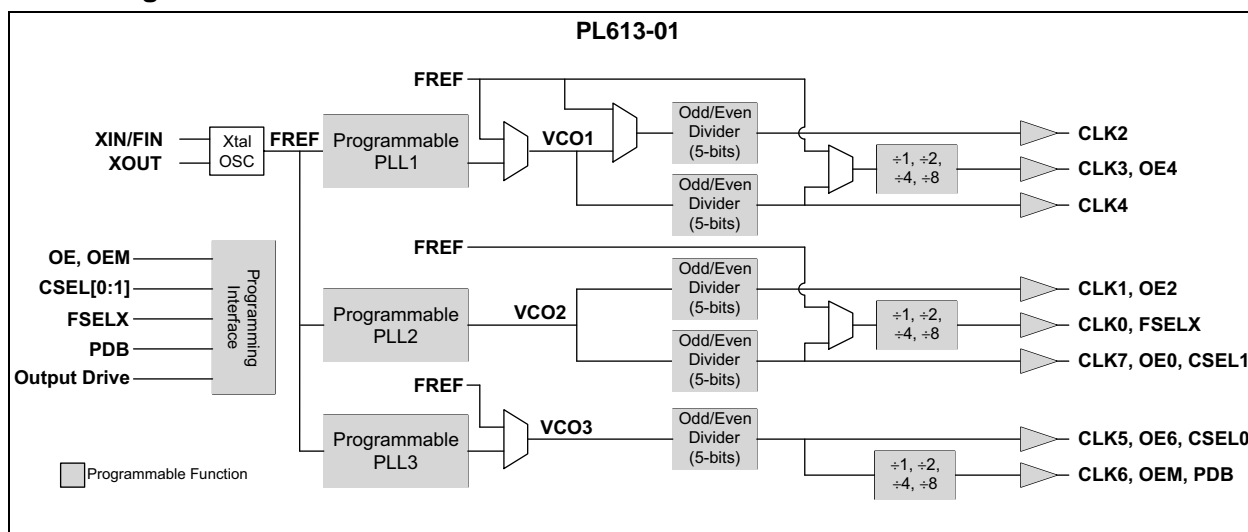
- Designed for PCB Space Savings with Three Low-Power Programmable PLLs and up to 8 Clock Outputs
- Low Power Consumption
 - 10 μ A Typical When PDB is Activated
- Output Frequency:
 - ≤ 110 MHz at 1.8V Operation
 - ≤ 166 MHz at 2.5V Operation
 - ≤ 200 MHz at 3.3V Operation
- Input Frequency:
 - Fundamental Crystal: 10 MHz to 40 MHz
 - Reference Input: 10 MHz to 200 MHz
- Programmable I/O Pins Can be Configured as Output Enable (OE), Configuration Switching (CSEL), Frequency Switching (FSELX), Power Down (PDB) Inputs, or Clock Outputs
- Disabled Outputs Programmable as HiZ or Active Low
- Four Distinct Configurations Selectable with CSEL[0:1]
- Single 1.8V, 2.5V, or 3.3V $\pm 10\%$ Power Supply
- Temperature range: 0°C to 70°C, -40°C to +85°C
- Available in 3 mm x 3 mm QFN or TSSOP Packages

General Description

The PL613-01 is an advanced triple PLL design based on Microchip's PicoPLL™, the world's smallest programmable clock, technology. This advanced technology allows the eight output PL613-01 to fit in to a small 3 mm x 3 mm QFN or TSSOP package for high performance, low-power, low-cost applications. Besides its small form factor and 8 outputs that can reduce overall system costs, the PL613-01 offers superior phase noise, jitter and power consumption performance.

The power down feature of PL613-01, when activated, allows the IC to consume less than 10 μ A of power, while its CSEL[0:1] allows switching between up to four pre-programmed configurations. The FSELX, on the other hand, allows frequency switching of two outputs (CLK1 and CLK2) on a single clock pin (CLK2).

Block Diagram



PL613-01

1.0 ELECTRICAL CHARACTERISTICS

Absolute Maximum Ratings †

Supply Voltage Range (V_{DD})	-0.5V to +4.6V
Input Voltage Range (V_{IN})	-0.5V to $V_{DD} + 0.5V$
Output Voltage Range (V_{OUT})	-0.5V to $V_{DD} + 0.5V$
Data Retention at +85°C	10 Years

† **Notice:** Stresses above those listed under “Absolute Maximum Ratings” may cause permanent damage to the device. This is a stress rating only and functional operation of the device at those or any other conditions above those indicated in the operational sections of this specification is not intended. Exposure to maximum rating conditions for extended periods may affect device reliability.

TABLE 1-1: AC ELECTRICAL CHARACTERISTICS

Parameters	Sym.	Min.	Typ.	Max.	Units	Conditions
Crystal Input Frequency	X _{IN}	10	—	40	MHz	Fundamental Crystal
Input Frequency	F _{IN}	10	—	200	MHz	at V _{DD} = 3.3V, ±10%
		10	—	166	MHz	at V _{DD} = 2.5V, ±10%
		10	—	110	MHz	at V _{DD} = 1.8V, ±10%
Input Signal Amplitude	—	0.8	—	V _{DD}	V _{PP}	Internally AC-Coupled
Output Frequency	—	1	—	200	MHz	at V _{DD} = 3.3V, ±10% (High Drive)
		1	—	166	MHz	at V _{DD} = 2.5V, ±10% (High Drive)
		1	—	110	MHz	at V _{DD} = 1.8V, ±10% (High Drive)
Settling Time	—	—	—	2	ms	At power-up (V _{DD} ≥ 90% of operating V _{DD})
Output Enable Time	—	—	—	500	ns	OE function; T _A = 25°C, 15 pF load. Add one clock period to this measurement for a usable clock output.
		—	—	2	ms	PDB function; T _A = 25°C, 15 pF load.
V _{DD} Sensitivity	—	-2	—	2	ppm	Frequency vs. V _{DD} , ±10%
Output Rise Time	—	—	1.2	1.7	ns	15 pF load, 10/90% V _{DD} , High Drive, 3.3V
Output Fall Time	—	—	1.2	1.7	ns	15 pF load, 10/90% V _{DD} , High Drive, 3.3V
Duty Cycle	—	45	50	55	%	PLL-driven output, @ V _{DD} /2, 15 pF load, High Drive, over entire frequency range
Period Jitter (Note 1) (10,000 Samples)	—	—	300	—	ps	Configuration-dependent, with capacitive decoupling between V _{DD} and GND

Note 1: Jitter performance depends on the programming parameters.

TABLE 1-2: DC ELECTRICAL CHARACTERISTICS

Parameters	Sym.	Min.	Typ.	Max.	Units	Conditions
Supply Current (V _{DD} = 3.3V)	I _{DD}	—	17	23	mA	All 8 outputs @ 20 MHz No load
Supply Current (V _{DD} = 2.5V)	I _{DD}	—	13.5	18	mA	All 8 outputs @ 20 MHz No load
Supply Current (V _{DD} = 1.8V)	I _{DD}	—	9.5	13	mA	All 8 outputs @ 20 MHz No load
Supply Current	I _{DD}	—	10	—	µA	When PDB = 0
Operating Voltage	V _{DD}	2.97	3.3	3.63	V	Configured for 3.3V Operation
		2.25	2.5	2.75	V	Configured for 2.5V Operation
		1.62	1.8	1.98	V	Configured for 1.8V Operation
Output Low Voltage	V _{OL}	—	—	0.4	V	I _{OL} = +4 mA, Standard Drive, 3.3V

PL613-01

TABLE 1-2: DC ELECTRICAL CHARACTERISTICS (CONTINUED)

Parameters	Sym.	Min.	Typ.	Max.	Units	Conditions
Output High Voltage	V_{OH}	2.4	—	—	V	$I_{OL} = -4$ mA, Standard Drive, 3.3V
Output Current, Low Drive	I_{OLD}	4	—	—	mA	$V_{OL} = 0.4$ V, $V_{OH} = 2.4$ V, 3.3V
Output Current, Standard Drive	I_{OSD}	8	—	—	mA	$V_{OL} = 0.4$ V, $V_{OH} = 2.4$ V, 3.3V
Output Current, High Drive	I_{OHD}	16	—	—	mA	$V_{OL} = 0.4$ V, $V_{OH} = 2.4$ V, 3.3V

TABLE 1-3: CRYSTAL CHARACTERISTICS

Parameters	Symbol	Min.	Typ.	Max.	Units
Fundamental Crystal Resonator Frequency	F_{XIN}	10	—	40	MHz
Crystal Loading Rating	$C_{L(XTAL)}$	—	15	—	pF
Operating Drive Level	—	—	0.1	2	mW
Metal Can Crystal, Shunt Capacitance	C_0	—	—	5.5	pF
Metal Can Crystal, ESR Max.	ESR	—	—	40	Ω
Small SMD Crystal, Shunt Capacitance	C_0	—	—	2.5	pF
Small SMD Crystal, ESR Max.	ESR	—	—	60	Ω

TEMPERATURE SPECIFICATIONS (Note 1)

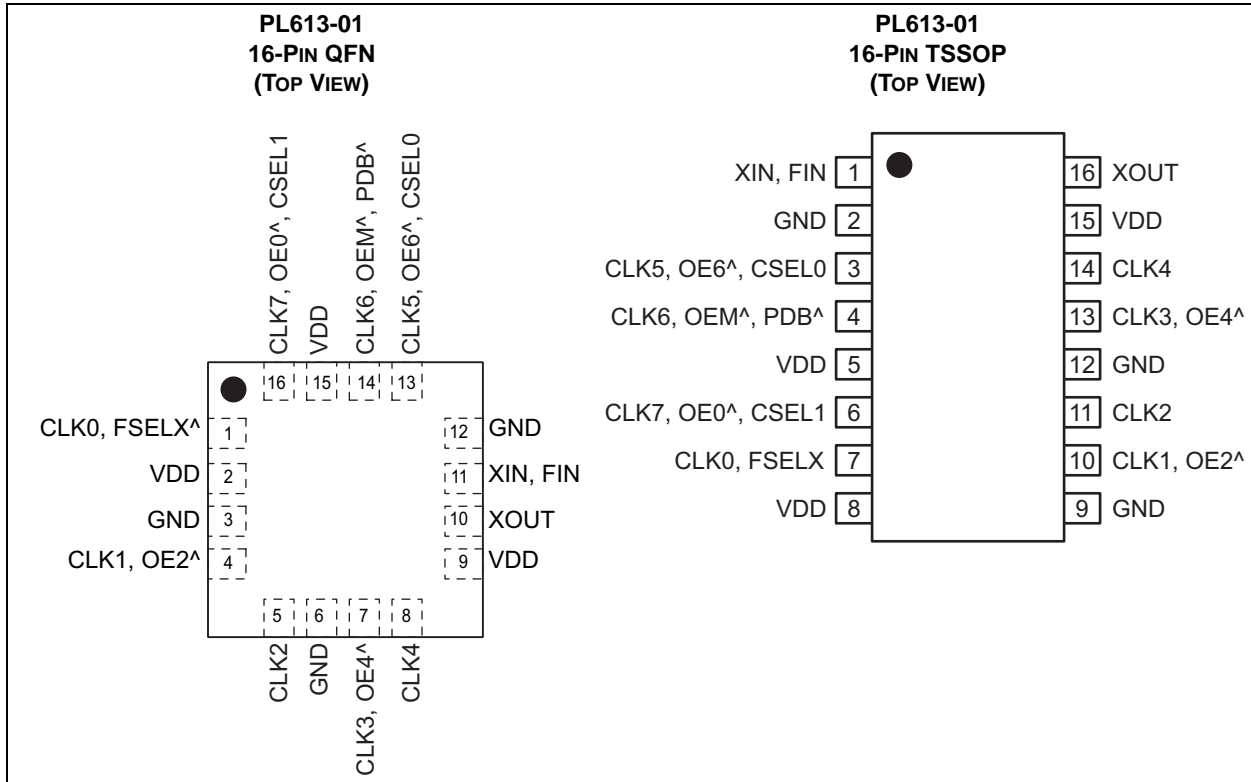
Parameters	Sym.	Min.	Typ.	Max.	Units	Conditions
Temperature Ranges						
Storage Temperature Range	T_S	-65	—	+150	$^{\circ}$ C	—
Soldering Temperature	—	—	—	+260	$^{\circ}$ C	—
Ambient Operating Temperature Range	T_A	-40	—	+85	$^{\circ}$ C	—

Note 1: Exposure of the device under conditions beyond the limits specified by Maximum Ratings for extended periods may cause permanent damage to the device and affect product reliability. These conditions represent a stress rating only, and functional operations of the device at these or any other conditions above the operational limits noted in this specification is not implied. Operating temperature is guaranteed by design. Parts are tested to commercial grade only.

2.0 PIN DESCRIPTIONS

The descriptions of the pins are listed in [Table 2-1](#).

Package Types



Note 1: ^ denotes internal pull-up.

TABLE 2-1: PIN FUNCTION TABLE

Pin Number QFN-16	Pin Number TSSOP-16	Pin Name	Pin Type (Note 1)	Description
1	7	CLK0, FSELX	B	Programmable clock (CLK0) output or CLK2 frequency switching (FSELX) input.
3, 6, 12	2, 9, 12	GND	P	Ground connection.
2, 9, 15	5, 8, 15	VDD	P	V _{DD} connection.
4	10	CLK1, OE2	B	Programmable clock (CLK1) output or Output Enable (OE) input for CLK2.
5	11	CLK2	O	Programmable clock (CLK2) output.
7	13	CLK3, OE4	B	Programmable clock (CLK3) output or Output Enable (OE) input for CLK4.
8	14	CLK4	O	Programmable clock (CLK4) output.
10	16	XOUT	O	Crystal output pin. Do not connect when using FIN.
11	1	XIN, FIN	I	Crystal or reference clock input.
13	3	CLK5, OE6, CSEL0	B	Programmable clock (CLK5) output or Output Enable (OE) input for CLK6 or configuration switching input.

PL613-01

TABLE 2-1: PIN FUNCTION TABLE (CONTINUED)

Pin Number QFN-16	Pin Number TSSOP-16	Pin Name	Pin Type (Note 1)	Description
14	4	CLK6, OEM, PDB	B	Programmable clock (CLK6) output or Output Enable master (OEM) all clock outputs or power down mode (PDB) input.
16	6	CLK7, OE0, CSEL1	B	Programmable clock (CLK7) output or Output Enable (OE) input for CLK0 or configuration switching input.

Note 1: All bidirectional buffers (I/Os) incorporate an internal 60 kΩ pull-up resistor when used as an input, except when PDB mode is used. In configurations that use PDB, the PDB pin will have a 10 MΩ pull-up resistor.

TABLE 2-2: KEY PROGRAMMING PARAMETERS

CLK[0:7] Output Frequency	Output Drive Strength	Programmable Input/Output
<p>CLK[0,3,6]: $F_{VCOx} / (P*(1,2,4,8))$, F_{REF} or $F_{REF} / (P*(1,2,4,8))$</p> <p>CLK[1,4,7]: F_{VCOx} / P</p> <p>CLK[2,5]: F_{VCOx} / P, F_{REF} or F_{REF} / P</p> <p>Where $F_{VCOx} = F_{REF} * M / R$ M = 11 bit R = 8 bit P = 5 bit (odd/even divider)</p>	<p>Each output has three optional drive strengths to choose from:</p> <ul style="list-style-type: none"> • Low: 4 mA • Standard: 8 mA (default) • High: 16 mA 	<p>Most pins are multi-function I/Os. In addition to CLK, they can be configured to perform as the following:</p> <ul style="list-style-type: none"> • OE[0,2,4,6]: Output Enable for Individual I/Os. • OEM: Master OE Controlling All Outputs. • CSEL[0:1]: Device Configuration Switching. • FSELX: CLK2 Frequency Switching. • PDB: Power Down. • CLK[0:8]: Output. • HiZ or Active-Low Disabled State.

3.0 FUNCTIONAL DESCRIPTION

The PL613-01 is a highly featured, very flexible, advanced triple-PLL design for high performance, low-power applications. The device accepts a low-cost fundamental crystal input of 10 MHz to 40 MHz or a reference clock input of 10 MHz to 200 MHz and is capable of producing eight distinct output frequencies up to 200 MHz. All three PLLs are fully programmable, with a total of five, 5-bit post-VCO, odd/even 'P-counter' dividers with an additional 1, 2, 4, or 8 'Post P-counter' dividers that easily generate the most demanding frequencies. The outputs can be programmed to deliver the generated frequencies from the PLLs or the reference input. Each bidirectional feature pin (I/O) on the PL613-01 incorporates a 60 kΩ pull-up resistor and can be configured to perform various functions. Usage of various design features of these products is mentioned in the following paragraphs.

3.1 PLL Programming

The three PLLs in PL613-01 are fully programmable. Each PLL is equipped with an 8-bit input frequency divider (R-Counter) and an 11-bit VCO frequency feedback loop (M-Counter) divider. The three PLL outputs are transferred to five 5-bit post-VCO, odd/even dividers (P-Counter), as shown in the [Block Diagram](#). In addition, there are three optional (÷1, ÷2, ÷4, or ÷8) post P-Counter dividers that can further divide the VCO frequency. In general, the PLL output frequency is determined by the following formula:

EQUATION 3-1:

$$F_{OUT} = (F_{REF} \times M) / (R \times P)$$

For output calculations, please note that 'P' includes the P-Counter bits plus the additional optional dividers (÷1, ÷2, ÷4, or ÷8), if used.

3.2 CLKx (Clock Outputs)

There are a maximum of eight outputs available on the PL613-01. Clock output frequencies can be configured as follows:

- CLK[0,3,6]
 - $F_{VCOx} / (P \times (1, 2, 4, 8))$
 - F_{REF} (Crystal or Reference Clock frequency)
 - $F_{REF} / (P \times (1, 2, 4, 8))$
- CLK[1, 7]
 - F_{VCOx} / P

- CLK[2, 4, 5]
 - F_{VCOx} / P
 - F_{REF}
 - F_{REF} / P

Each output can be programmed with a 4 mA, 8 mA, or 16 mA drive strength. The maximum output frequency is 200 MHz at 3.3V, 166 MHz at 2.5V, or 110 MHz at 1.8V.

3.3 OE (Output Enable)

Four pins can be configured as OE inputs for controlling individual clock outputs, as show in the table below.

OEx	Controls Output on CLK#
OE0	CLK0
OE2	CLK2
OE4	CLK4
OE6	CLK6

Typical enable time is <500 ns plus one clock period.

The OE feature can be programmed to allow the output to float (HiZ) or to operate in active-low mode. The programming control for individual OEs is show below.

OE Pin	OE Type (Programmable)	Osc	PLL	Output
0	0 (default)	On	On	HiZ
	1	On	On	Active 0
1	Normal Operation (default)			

3.4 OEM (Master Output Enable)

One pin can be configured to be a single Master OE (OEM) input pin that controls all the outputs of the PL613-01. In addition, the state of the disabled outputs can be programmed to float (HiZ) or to operate in active-low mode. The OEM function operates on the following logic:

OE Pin	OE Type (Programmable)	Osc	PLL	Output
0	0 (default)	On	On	HiZ
	1	On	On	Active 0
1	Normal Operation (default)			

Typical enable time is <500 ns plus one clock period.

PL613-01

3.5 PDB (Power Down Control)

When activated, PDB disables all the PLLs, the oscillator circuitry, counters, and all other active circuitry. PDB activation disables all outputs and the IC consumes <10 μ A of power. The PDB input incorporates a 10 M Ω pull-up resistor for normal operation.

The PDB feature can be programmed to allow the output to float (HiZ) or to operate in active-low mode. The logic for PDB is shown in the following table:

PDB Pin	PDB Type (Programmable)	Osc	PLL	Output
0	0 (default)	Off	Off	HiZ
	1	Off	Off	Active 0
1	Normal Operation (default)			

Typical enable time from power down in <2 ms.

3.6 CSEL (On-the-Fly Configuration Switching)

The PL613-01 can be programmed to allow switching between four different configurations, allowing for changes in the output frequencies. Many applications (i.e. video/audio) can use the same design footprint, but allow for configuration switching, adhering to various standards. CSEL0 and CSEL1 are used in the switching selection. These pins incorporate a 60 k Ω pull-up resistor for normal operation. The logic for configuration switching of the programmed parts is shown below:

CSEL1	CSEL0	Programmed Configuration
0	0	0
0	1	1
1	0	2
1	1	3 (default)

Typical enable time is <500 μ s.

3.7 FSELX (On-the-Fly Output Frequency Switching Between Two Output Frequencies)

The PL613-01 is equipped with the FSELX feature to allow frequency switching between two frequencies on one of the output pins. Frequencies assigned to CLK1 and CLK2 can be switched when FSELX is activated on CLK2 output. The logic for FSELX is shown below:

FSELX	CLK2 Output
0	Frequency 2
1 (default)	Frequency 1

Typical enable time is <10 ns plus one clock period.

4.0 LAYOUT RECOMMENDATIONS

The following guidelines are designed to help create a performance-optimized PCB design.

4.1 Signal Integrity and Termination Considerations

- Keep traces short.
- Trace = Inductor. With capacitive loads, this creates ringing.
- Long trace = long transmission line. Without proper termination, this causes reflections that look like ringing.
- Design long traces (greater than one inch) as striplines or microstrips with defined impedance.
- Match trace at one side to avoid reflections bouncing back and forth.

4.2 Decoupling and Power Supply Considerations

- Place decoupling capacitors as close as possible to the V_{DD} pin(s) to limit noise from the power supply.
- Multiple V_{DD} pins should be decoupled separately for best performance.
- The addition of resistors in series with V_{DD} can help prevent noise from other board sources.
 - Traditionally, ferrite beads are used for this purpose, but with the PL613-01 the results are better when using resistors.

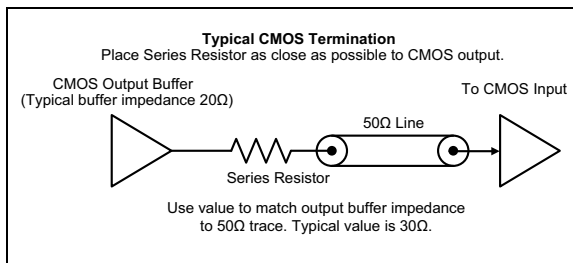


FIGURE 4-1: Typical CMOS Termination.

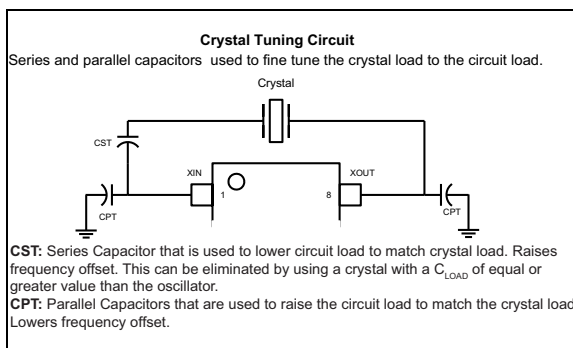


FIGURE 4-2: Crystal Tuning Circuit.

4.3 Layout Example

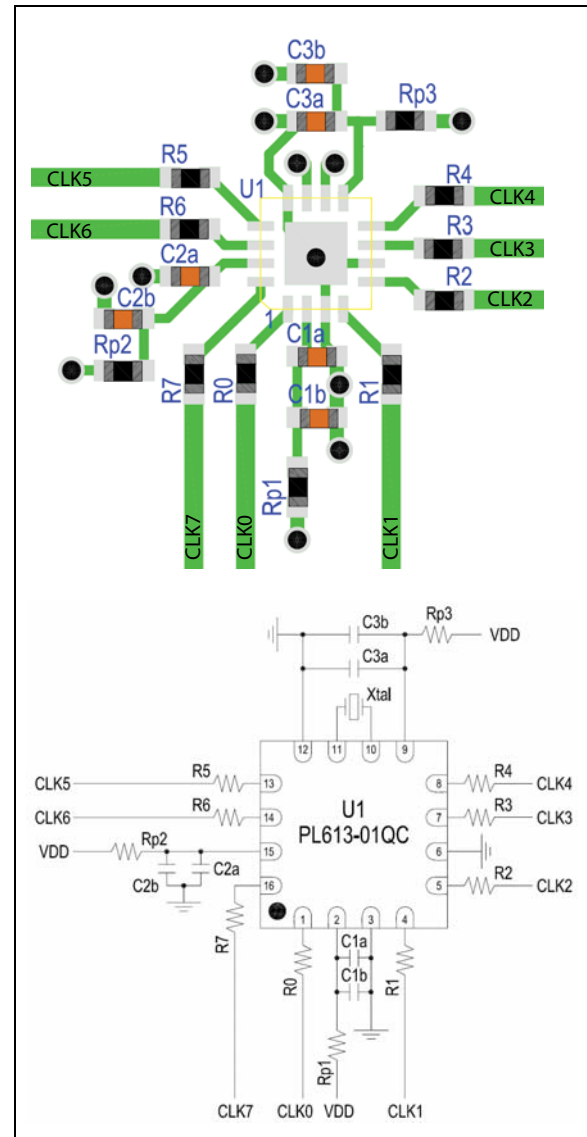


FIGURE 4-3: PL613-01 Layout Example.

U1 = PL613-01 in QFN-16L. In this example, all eight outputs are used.

C1a, C2a, C3a = 0.1 μ F and C1b, C2b, C3b = 1 μ F for power supply decoupling. The vias connected to the capacitors go to the ground plane inside the PCB.

Rp1, Rp2, Rp3 = 10 Ω for power supply filtering. The power supply filter is a first order low pass filter with -3 dB at 30 kHz. It is important that the frequencies of the loop bandwidth of the PLLs are filtered properly. The loop bandwidth of the PLLs is in the range of 100 kHz to 1 MHz depending upon the programmed configuration. The vias connected to Rp1, Rp2, and Rp3 go to the V_{DD} plane inside the PCB.

R0 ~ R7 = 30 Ω for matching CLK0 ~ CLK7 outputs to the PCB trace impedance. Place the resistors as close as possible to the IC pins and design the traces to the

PL613-01

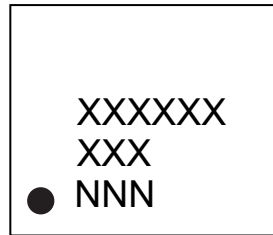
target clock inputs as transmission lines (microstrip or stripline) for the best signal integrity and the lowest EMI.

When using ferrite beads instead of Rp1, Rp2, or Rp3, make sure the resonance frequency of the bead with the decoupling capacitors is below 50 kHz so as not to interfere with the PLL loop bandwidth. This requirement is difficult to fulfill, so it is recommended to use the resistors Rp1, Rp2, and Rp3 for power supply filtering.

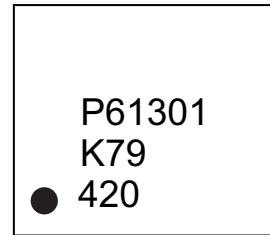
5.0 PACKAGING INFORMATION

5.1 Package Marking Information

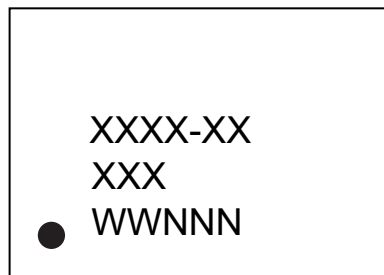
16-Pin QFN*



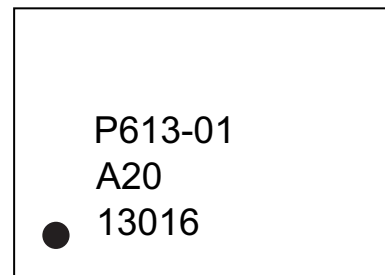
Example



16-Pin TSSOP*



Example



Legend:	XX...X	Product code or customer-specific information
	Y	Year code (last digit of calendar year)
	YY	Year code (last 2 digits of calendar year)
	WW	Week code (week of January 1 is week '01')
	NNN	Alphanumeric traceability code
	(e3)	Pb-free JEDEC® designator for Matte Tin (Sn)
	*	This package is Pb-free. The Pb-free JEDEC designator ((e3)) can be found on the outer packaging for this package.
	•, ▲, ▼	Pin one index is identified by a dot, delta up, or delta down (triangle mark).

Note: In the event the full Microchip part number cannot be marked on one line, it will be carried over to the next line, thus limiting the number of available characters for customer-specific information. Package may or may not include the corporate logo.
Underbar () and/or Overbar () symbol may not be to scale.

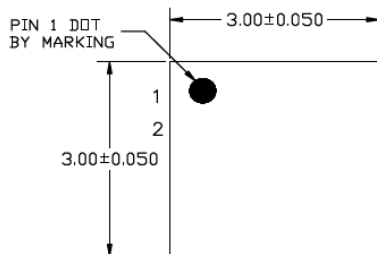
PL613-01

16-Lead QFN Package Outline and Recommended Land Pattern

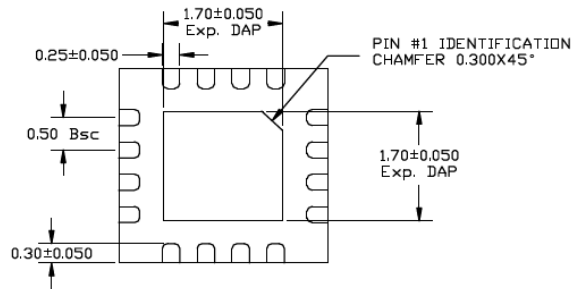
TITLE

16 LEAD QFN 3x3mm PACKAGE OUTLINE & RECOMMENDED LAND PATTERN

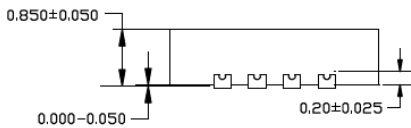
DRAWING #	QFN33-16LD-PL-3	UNIT	MM
Lead Frame	NiPdAu	Lead Finish	NiPdAu



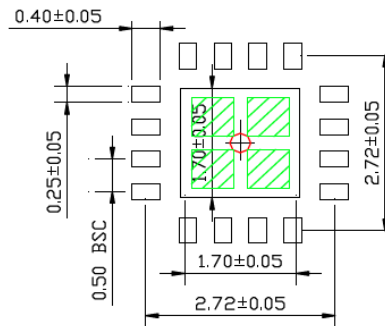
TOP VIEW
NOTE: 1, 2, 3



BOTTOM VIEW
NOTE: 1, 2, 3



SIDE VIEW
NOTE: 1, 2, 3



RECOMMENDED LAND PATTERN
NOTE: 4, 5

NOTE:

1. MAX PACKAGE WARPAGE IS 0.05mm.
2. MAX ALLOWABLE BURR IS 0.076mm IN ALL DIRECTIONS
3. PIN #1 IS ON TOP WILL BE LASER MARKED.
4. RED CIRCLE IN LAND PATTERN INDICATES THERMAL VIA. SIZE SHOULD BE 0.30-0.35mm IN DIAMETER AND SHOULD BE CONNECTED TO GND FOR MAX THERMAL PERFORMANCE.
5. GREEN RECTANGLES (SHADED AREA) INDICATE SOLDER STENCIL OPENING ON EXPOSED PAD AREA. SIZE SHOULD BE 0.60x0.60mm IN SIZE, 0.20mm SPACING.

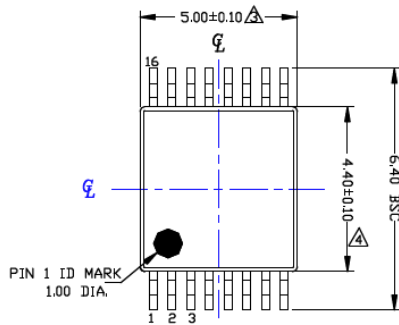
Note: For the most current package drawings, please see the Microchip Packaging Specification located at <http://www.microchip.com/packaging>.

16-Lead TSSOP Package Outline and Recommended Land Pattern

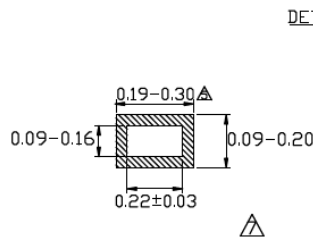
TITLE

16 LEAD TSSOP PACKAGE OUTLINE & RECOMMENDED LAND PATTERN

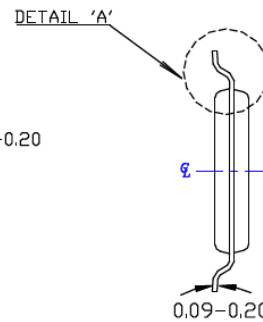
DRAWING #	TSSOP-16LD-PL-1	UNIT	MM
------------------	-----------------	-------------	----



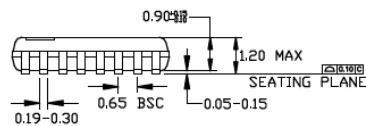
TOP VIEW



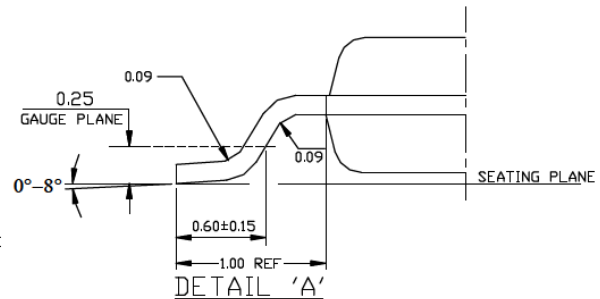
LEAD TIP DETAIL



END VIEW



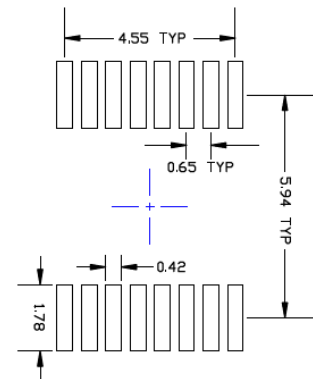
SIDE VIEW



DETAIL 'A'

Notes :

1. ALL DIMENSIONS ARE IN MILLIMETERS (ANGLES IN DEGREES).
 2. DIMENSIONING AND TOLERANCING PER ANSI Y14.5M-1994.
- △ DIMENSION DOES NOT INCLUDE MOLD FLASH, PROTRUSIONS OR GATE BURRS.
 - △ DIMENSION DOES NOT INCLUDE INTERNAL FLASH OR PROTRUSION.
 - △ DIMENSION DOES NOT INCLUDE DAMBAR PROTRUSION.
 - △ CROSS SECTION TO BE DETERMINED AT 0.10 TO 0.25MM FROM THE LEAD TIP.



RECOMMENDED LAND PATTERN

Note: For the most current package drawings, please see the Microchip Packaging Specification located at <http://www.microchip.com/packaging>.

PL613-01

NOTES:

APPENDIX A: REVISION HISTORY

Revision A (October 2016)

- Converted Micrel document PL613-01 to Microchip data sheet DS20005650A.
- Minor text changes throughout.
- Discontinued SSOP package offering.

PL613-01

NOTES:

PRODUCT IDENTIFICATION SYSTEM

To order or obtain information, e.g., on pricing or delivery, contact your local Microchip representative or sales office.

PART NO. — XXX X X — XX	
Device	ID Code Package Temperature Media Type
Device:	PL613-01: 1.8V to 3.3V, PicoPLL, 3-PLL, 200 MHz, 8 Output Clock IC
ID Code:	XXX = Unique 3-digit code assigned at programming time
Package:	O = 16-Lead TSSOP Q = 16-Lead QFN
Temperature:	C = 0°C to +70°C (Commercial) I = -40°C to +85°C (Industrial)
Media Type:	blank= Tube TR = Tape & Reel

Examples:	
a) PL613-01-XXXOC:	1.8V to 3.3V, PicoPLL, 3-PLL, 200 MHz, 8 Output Clock IC 3-Digit ID Code, 16-Lead TSSOP, Commercial Temperature Range, Tube
b) PL613-01-XXXOI-TR:	1.8V to 3.3V, PicoPLL, 3-PLL, 200 MHz, 8 Output Clock IC 3-Digit ID Code, 16-Lead TSSOP, Industrial Temperature Range, Tape & Reel
c) PL613-01-XXXQC-TR:	1.8V to 3.3V, PicoPLL, 3-PLL, 200 MHz, 8 Output Clock IC 3-Digit ID Code, 16-Lead QFN, Commercial Temperature Range, Tape & Reel
d) PL613-01-XXXQI:	1.8V to 3.3V, PicoPLL, 3-PLL, 200 MHz, 8 Output Clock IC 3-Digit ID Code, 16-Lead QFN, Industrial Temperature Range, Tube
e) PL613-01-XXXOC-TR:	1.8V to 3.3V, PicoPLL, 3-PLL, 200 MHz, 8 Output Clock IC 3-Digit ID Code, 16-Lead TSSOP, Commercial Temperature Range, Tape & Reel

PL613-01

NOTES:

Note the following details of the code protection feature on Microchip devices:

- Microchip products meet the specification contained in their particular Microchip Data Sheet.
- Microchip believes that its family of products is one of the most secure families of its kind on the market today, when used in the intended manner and under normal conditions.
- There are dishonest and possibly illegal methods used to breach the code protection feature. All of these methods, to our knowledge, require using the Microchip products in a manner outside the operating specifications contained in Microchip's Data Sheets. Most likely, the person doing so is engaged in theft of intellectual property.
- Microchip is willing to work with the customer who is concerned about the integrity of their code.
- Neither Microchip nor any other semiconductor manufacturer can guarantee the security of their code. Code protection does not mean that we are guaranteeing the product as “unbreakable.”

Code protection is constantly evolving. We at Microchip are committed to continuously improving the code protection features of our products. Attempts to break Microchip's code protection feature may be a violation of the Digital Millennium Copyright Act. If such acts allow unauthorized access to your software or other copyrighted work, you may have a right to sue for relief under that Act.

Information contained in this publication regarding device applications and the like is provided only for your convenience and may be superseded by updates. It is your responsibility to ensure that your application meets with your specifications. MICROCHIP MAKES NO REPRESENTATIONS OR WARRANTIES OF ANY KIND WHETHER EXPRESS OR IMPLIED, WRITTEN OR ORAL, STATUTORY OR OTHERWISE, RELATED TO THE INFORMATION, INCLUDING BUT NOT LIMITED TO ITS CONDITION, QUALITY, PERFORMANCE, MERCHANTABILITY OR FITNESS FOR PURPOSE. Microchip disclaims all liability arising from this information and its use. Use of Microchip devices in life support and/or safety applications is entirely at the buyer's risk, and the buyer agrees to defend, indemnify and hold harmless Microchip from any and all damages, claims, suits, or expenses resulting from such use. No licenses are conveyed, implicitly or otherwise, under any Microchip intellectual property rights unless otherwise stated.

Microchip received ISO/TS-16949:2009 certification for its worldwide headquarters, design and wafer fabrication facilities in Chandler and Tempe, Arizona; Gresham, Oregon and design centers in California and India. The Company's quality system processes and procedures are for its PIC[®] MCUs and dsPIC[®] DSCs, KEELoc[®] code hopping devices, Serial EEPROMs, microperipherals, nonvolatile memory and analog products. In addition, Microchip's quality system for the design and manufacture of development systems is ISO 9001:2000 certified.

**QUALITY MANAGEMENT SYSTEM
CERTIFIED BY DNV
= ISO/TS 16949 =**

Trademarks

The Microchip name and logo, the Microchip logo, AnyRate, dsPIC, FlashFlex, flexPWR, Heldo, JukeBlox, KeeLoq, KeeLoq logo, Klear, LANCheck, LINK MD, MediaLB, MOST, MOST logo, MPLAB, OptoLyzer, PIC, PICSTART, PIC32 logo, RightTouch, SpyNIC, SST, SST Logo, SuperFlash and UNI/O are registered trademarks of Microchip Technology Incorporated in the U.S.A. and other countries.

ClockWorks, The Embedded Control Solutions Company, ETHERSYNCH, Hyper Speed Control, HyperLight Load, IntelliMOS, mTouch, Precision Edge, and QUIET-WIRE are registered trademarks of Microchip Technology Incorporated in the U.S.A.

Analog-for-the-Digital Age, Any Capacitor, AnyIn, AnyOut, BodyCom, chipKIT, chipKIT logo, CodeGuard, dsPICDEM, dsPICDEM.net, Dynamic Average Matching, DAM, ECAN, EtherGREEN, In-Circuit Serial Programming, ICSP, Inter-Chip Connectivity, JitterBlocker, KlearNet, KlearNet logo, MiWi, motorBench, MPASM, MPF, MPLAB Certified logo, MPLIB, MPLINK, MultiTRAK, NetDetach, Omniscient Code Generation, PICDEM, PICDEM.net, PICkit, PICtail, PureSilicon, RightTouch logo, REAL ICE, Ripple Blocker, Serial Quad I/O, SQL, SuperSwitcher, SuperSwitcher II, Total Endurance, TSHARC, USBCheck, VariSense, ViewSpan, WiperLock, Wireless DNA, and ZENA are trademarks of Microchip Technology Incorporated in the U.S.A. and other countries.

SQTP is a service mark of Microchip Technology Incorporated in the U.S.A.

Silicon Storage Technology is a registered trademark of Microchip Technology Inc. in other countries.

GestIC is a registered trademarks of Microchip Technology Germany II GmbH & Co. KG, a subsidiary of Microchip Technology Inc., in other countries.

All other trademarks mentioned herein are property of their respective companies.

© 2016, Microchip Technology Incorporated, Printed in the U.S.A., All Rights Reserved.

ISBN: 978-1-5224-1038-6



MICROCHIP

Worldwide Sales and Service

AMERICAS

Corporate Office

2355 West Chandler Blvd.
Chandler, AZ 85224-6199

Tel: 480-792-7200

Fax: 480-792-7277

Technical Support:

[http://www.microchip.com/
support](http://www.microchip.com/support)

Web Address:

www.microchip.com

Atlanta

Duluth, GA

Tel: 678-957-9614

Fax: 678-957-1455

Austin, TX

Tel: 512-257-3370

Boston

Westborough, MA

Tel: 774-760-0087

Fax: 774-760-0088

Chicago

Itasca, IL

Tel: 630-285-0071

Fax: 630-285-0075

Cleveland

Independence, OH

Tel: 216-447-0464

Fax: 216-447-0643

Dallas

Addison, TX

Tel: 972-818-7423

Fax: 972-818-2924

Detroit

Novi, MI

Tel: 248-848-4000

Houston, TX

Tel: 281-894-5983

Indianapolis

Noblesville, IN

Tel: 317-773-8323

Fax: 317-773-5453

Los Angeles

Mission Viejo, CA

Tel: 949-462-9523

Fax: 949-462-9608

New York, NY

Tel: 631-435-6000

San Jose, CA

Tel: 408-735-9110

Canada - Toronto

Tel: 905-695-1980

Fax: 905-695-2078

ASIA/PACIFIC

Asia Pacific Office

Suites 3707-14, 37th Floor
Tower 6, The Gateway
Harbour City, Kowloon

Hong Kong

Tel: 852-2943-5100

Fax: 852-2401-3431

Australia - Sydney

Tel: 61-2-9868-6733

Fax: 61-2-9868-6755

China - Beijing

Tel: 86-10-8569-7000

Fax: 86-10-8528-2104

China - Chengdu

Tel: 86-28-8665-5511

Fax: 86-28-8665-7889

China - Chongqing

Tel: 86-23-8980-9588

Fax: 86-23-8980-9500

China - Dongguan

Tel: 86-769-8702-9880

China - Guangzhou

Tel: 86-20-8755-8029

China - Hangzhou

Tel: 86-571-8792-8115

Fax: 86-571-8792-8116

China - Hong Kong SAR

Tel: 852-2943-5100

Fax: 852-2401-3431

China - Nanjing

Tel: 86-25-8473-2460

Fax: 86-25-8473-2470

China - Qingdao

Tel: 86-532-8502-7355

Fax: 86-532-8502-7205

China - Shanghai

Tel: 86-21-5407-5533

Fax: 86-21-5407-5066

China - Shenyang

Tel: 86-24-2334-2829

Fax: 86-24-2334-2393

China - Shenzhen

Tel: 86-755-8864-2200

Fax: 86-755-8203-1760

China - Wuhan

Tel: 86-27-5980-5300

Fax: 86-27-5980-5118

China - Xian

Tel: 86-29-8833-7252

Fax: 86-29-8833-7256

ASIA/PACIFIC

China - Xiamen

Tel: 86-592-2388138

Fax: 86-592-2388130

China - Zhuhai

Tel: 86-756-3210040

Fax: 86-756-3210049

India - Bangalore

Tel: 91-80-3090-4444

Fax: 91-80-3090-4123

India - New Delhi

Tel: 91-11-4160-8631

Fax: 91-11-4160-8632

India - Pune

Tel: 91-20-3019-1500

Japan - Osaka

Tel: 81-6-6152-7160

Fax: 81-6-6152-9310

Japan - Tokyo

Tel: 81-3-6880-3770

Fax: 81-3-6880-3771

Korea - Daegu

Tel: 82-53-744-4301

Fax: 82-53-744-4302

Korea - Seoul

Tel: 82-2-554-7200

Fax: 82-2-558-5932 or

82-2-558-5934

Malaysia - Kuala Lumpur

Tel: 60-3-6201-9857

Fax: 60-3-6201-9859

Malaysia - Penang

Tel: 60-4-227-8870

Fax: 60-4-227-4068

Philippines - Manila

Tel: 63-2-634-9065

Fax: 63-2-634-9069

Singapore

Tel: 65-6334-8870

Fax: 65-6334-8850

Taiwan - Hsin Chu

Tel: 886-3-5778-366

Fax: 886-3-5770-955

Taiwan - Kaohsiung

Tel: 886-7-213-7828

Taiwan - Taipei

Tel: 886-2-2508-8600

Fax: 886-2-2508-0102

Thailand - Bangkok

Tel: 66-2-694-1351

Fax: 66-2-694-1350

EUROPE

Austria - Wels

Tel: 43-7242-2244-39

Fax: 43-7242-2244-393

Denmark - Copenhagen

Tel: 45-4450-2828

Fax: 45-4485-2829

France - Paris

Tel: 33-1-69-53-63-20

Fax: 33-1-69-30-90-79

Germany - Dusseldorf

Tel: 49-2129-3766400

Germany - Karlsruhe

Tel: 49-721-625370

Germany - Munich

Tel: 49-89-627-144-0

Fax: 49-89-627-144-44

Italy - Milan

Tel: 39-0331-742611

Fax: 39-0331-466781

Italy - Venice

Tel: 39-049-7625286

Netherlands - Drunen

Tel: 31-416-690399

Fax: 31-416-690340

Poland - Warsaw

Tel: 48-22-3325737

Spain - Madrid

Tel: 34-91-708-08-90

Fax: 34-91-708-08-91

Sweden - Stockholm

Tel: 46-8-5090-4654

UK - Wokingham

Tel: 44-118-921-5800

Fax: 44-118-921-5820

06/23/16