

Features

- 16-pin, 4x4 mm QFN Package
- Low Power Operation
- Class AB Operation
- Enable/Disable Control
- Capable of Driving Line Impedance Between 12 Ω to 100 Ω
- Operations to 86 MHz
- RoHS Compliant

Applications

- Power Line Communications
- Home Networking
- HPNA
- G.HN

Description

The Le87501 is a single channel line driver designed to work in Home Plug Alliance HPAV2 systems.

When enabled, the operating level can be set to Full, 90% or 80% power. The Le87501 delivers superior performance and can drive a line impedance of 100 Ω down to 12 Ω through a proper transformer.

In addition, the Le87501 features a Standby state which forces the driver into a long-term sleep mode.

Document ID# PD-000246513

Version 3

August 2018

Ordering Information		
Le87501NQC	16-pin QFN Green Pkg.	Tray
<i>The green package is Halogen free and meets RoHS 2 Directive 2011/65/EU of the European Council to minimize the environmental impact of electrical equipment.</i>		

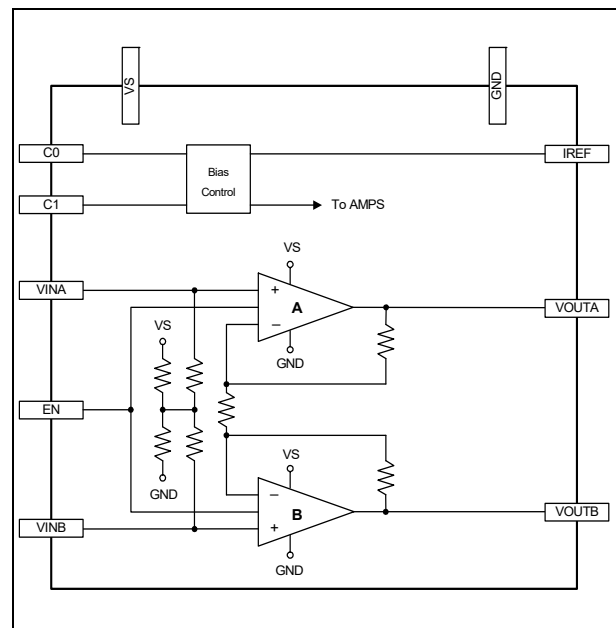


Figure 1 - Block Diagram

Features	1
Applications	1
Description	1
Pin Diagram	3
Pin Description	3
Absolute Maximum Ratings	4
Thermal Resistance	4
Package Assembly	4
Operating Ranges	4
Device Specifications	5
Test Circuit	6
Operation States	7
Typical Performance Characteristics	8
Applications	10
Input Considerations	10
Output Driving Considerations	10
Power Supplies and Component Placement	10
Physical Dimensions	11
16-Pin QFN	11

Pin Diagram

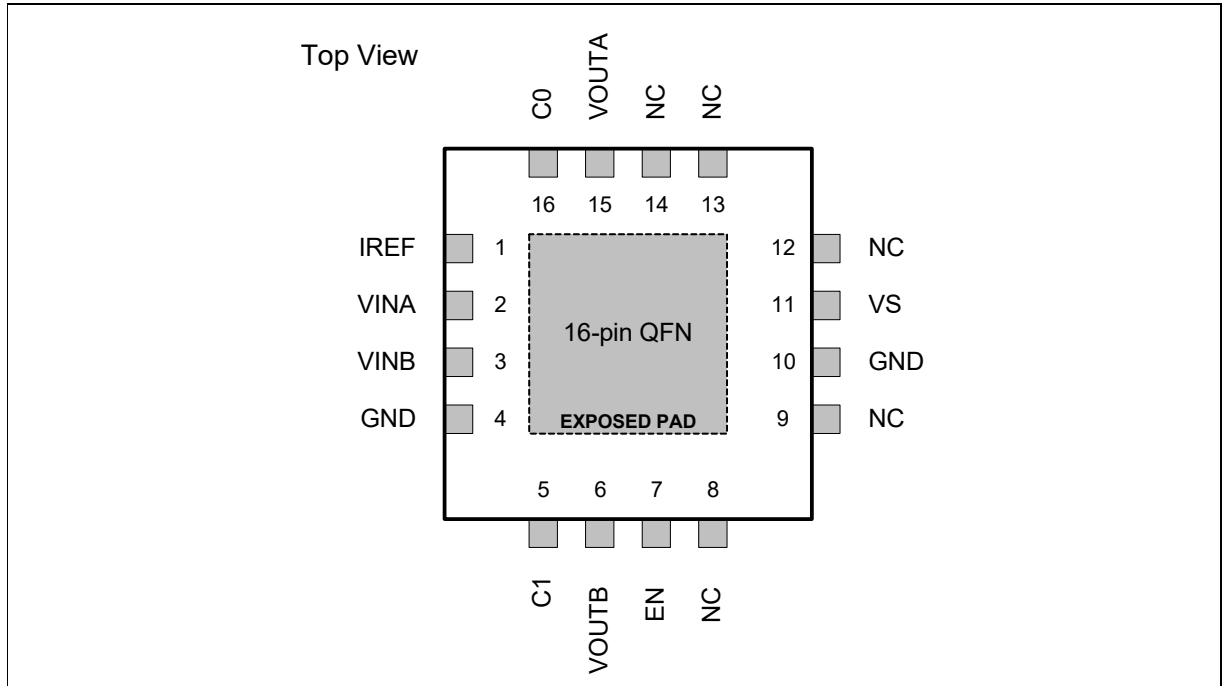


Figure 2 - Pin Diagram

Note 1: Pin 1 is marked for orientation.

Note 2: The device incorporates an exposed die pad on the underside of its package. The pad acts as a heat sink and must be connected to a copper plane through thermal vias for proper heat dissipation. It is electrically isolated and may be connected to GND.

Pin Description

Pin #	Pin Name	Type	Description
1	IREF	Input	Device Internal Reference Current. Connect a resistor to GND.
2	VINA	Input	Amplifier A input
3	VINB	Input	Amplifier B input
4, 10	GND	Ground	Low noise analog ground
5, 16	C1, C0	Inputs	Control inputs, sets operation state when channel enabled
6	VOUTB	Output	Amplifier B output
7	EN	Input	Enable/Disable control
8, 9, 12, 13, 14	NC		No connects, no internal connection
11	VS	Power	Power supply
15	VOUTA	Output	Amplifier A output

Table 1 - Pin Descriptions

Absolute Maximum Ratings

Stresses above the values listed under *Absolute Maximum Ratings* can cause permanent device failure. Functionality at or above these limits is not implied. Exposure to absolute maximum ratings for extended periods can affect device reliability.

Storage Temperature	$-65^{\circ}\text{C} \leq T_A \leq +150^{\circ}\text{C}$
Operating Junction Temperature	$-40^{\circ}\text{C} \leq T_J \leq +150^{\circ}\text{C}^1$
VS to GND	-0.3 V to +16.0 V
Driver inputs VINA/B	VS to GND
Control inputs C0/1, EN	-0.3 V to +4.0 V
Continuous Driver Output Current	200 mA _{RMS}
ESD Immunity (Human Body Model)	JESD22 Class 2 compliant
ESD Immunity (Charge Device Model)	JESD22 Class IV compliant
Note 1: Continuous operation above +145°C junction temperature may degrade device long term reliability.	

Table 2 - Absolute Maximum Ratings

Thermal Resistance

The thermal performance of a thermally enhanced package is assured through optimized printed circuit board layout. Specified performance requires that the exposed thermal pad be soldered to an equally sized exposed copper surface, which, in turn, conducts heat through multiple vias to larger internal copper planes.

Package Assembly

The green package devices are assembled with enhanced, environmental compatible lead-free, halogen-free, and antimony-free materials. The leads possess a matte-tin plating which is compatible with conventional board assembly processes or newer lead-free board assembly processes.

Refer to IPC/JEDEC J-Std-020 for recommended peak soldering temperature and solder reflow temperature profile.

Operating Ranges

Microsemi guarantees the performance of this device over the 0°C to +85°C temperature range by conducting electrical characterization and a single insertion production test coupled with periodic sampling. These procedures comply with the Telcordia GR-357-CORE Generic Requirements for Assuring the Reliability of Components Used in Telecommunications Equipment.

Ambient temperature	0°C to +85°C
VS with respect to GND	+10 to +15 V

Table 3 - Operation Ranges

Device Specifications

VS = +12 V. Device in Enable Full Power state using the Basic Test Circuit ([Figure 3](#)), unless otherwise specified.

Typical Conditions: T_A = 25°C.

Min/Max Parameters: T_A = 0°C to +85°C

Symbol	Parameter	Condition	Min.	Typ.	Max.	Unit	Notes
Power							
I _{VS}	Quiescent Supply Current	VINA/B floating					
		Enable Full Power State	42	60	70	mA	
		Enable 90% Power State	40	52	63	mA	
		Enable 80% Power State	37	45	56	mA	
		Disable State	0.6	1.0	1.2	mA	
		Standby State	0.3	0.65	1.0	mA	
Control Input (C0/1, EN) Characteristics							1
V _{IH}	Input High Voltage		1.2		3.6	V	
V _{IL}	Input Low Voltage		-0.3		+0.6	V	
I _{IH}	Input High Current		0	75	100	μA	
I _{IL}	Input Low Current		0	10	15	μA	
Channel Input (VINA/B) Characteristics							
V _{IH}	Input Offset Voltage		0		35	mV	
Z _I	Differential Input Impedance	VINA – VINB at 2 MHz	12	15	18	kΩ	2
Channel Output (VOUTA/B) Characteristics							
V _O	Output Voltage		9.5		12	V	
I _O	Output Current	R _{Load} = 10 Ω		600		mA	
Z _O	Disabled Output Impedance	Differential		1400		Ω	
Channel Dynamic Characteristics							
	Voltage Gain	VOUT/VIN at 1 MHz	6.0	6.5	7.0	V/V	
	Bandwidth	-3 dB		170		MHz	
Noise	Input Referred Noise	Differential		8		nV/√Hz	
MTPR	Multi Tone Power Ratio	P _{Load} = 40 mW					
		0.5 - 30 MHz		-62		dBc	
		30 - 86 MHz		-32		dBc	
	Enable Time	Between Disable and any Power-up state		500		ns	
	Disable Time			500		ns	
TSD	Thermal Shutdown Temperature			170		°C	
Notes: 1. Internal 50 kΩ pull-down on all control inputs 2. Guaranteed by design and device characterization.							

Table 4 - Electrical Specifications

Test Circuit

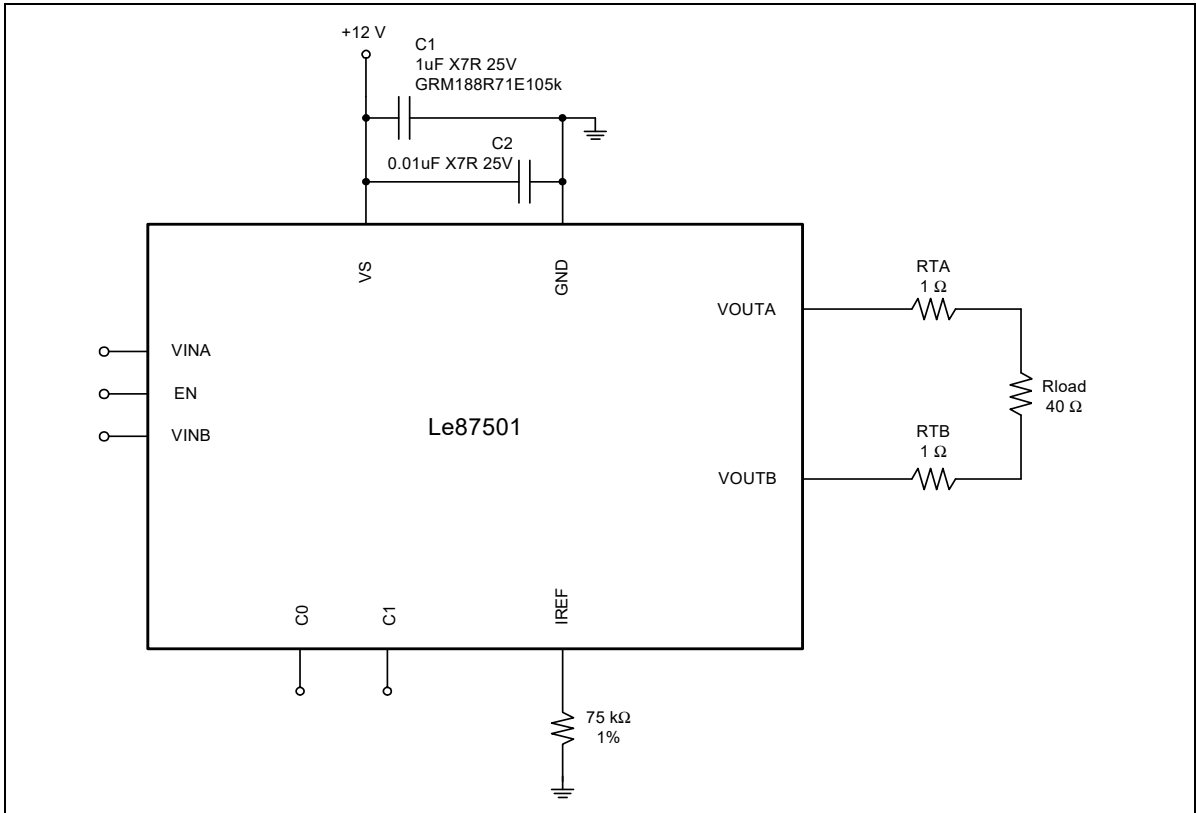


Figure 3 - Basic Test Circuit

Operation States

Operation state control is depicted in [Table 5](#).

For active operation, the driver will either be in Enable state (Power-up mode) or Disable state (Power-down mode). A Standby state (long-term Sleep mode) is also provided.

EN controls the driver's power mode as follows:

- EN = 0, channel A/B in Power-down mode; EN = 1, channel A/B in Power-up mode

C0 and C1 control state selection. A setting of C0 = C1 = 0 overrides EN and places the driver in Standby state.

Standby is the default state when power is initially supplied.

EN	C1	C0	Device State	Mode
1	1	1	Enable Full Power	Power-up
1	0	1	Enable 90% Power	
1	1	0	Enable 80% Power	
X	0	0	Standby	Sleep
0	1	1	Disable	Power-down
0	1	0		
0	0	1		

Table 5 - Operation State Control

X = Don't care.

Typical Performance Characteristics

Some typical performance characteristics are shown in [Figure 4](#), [Figure 5](#) and [Figure 6](#).

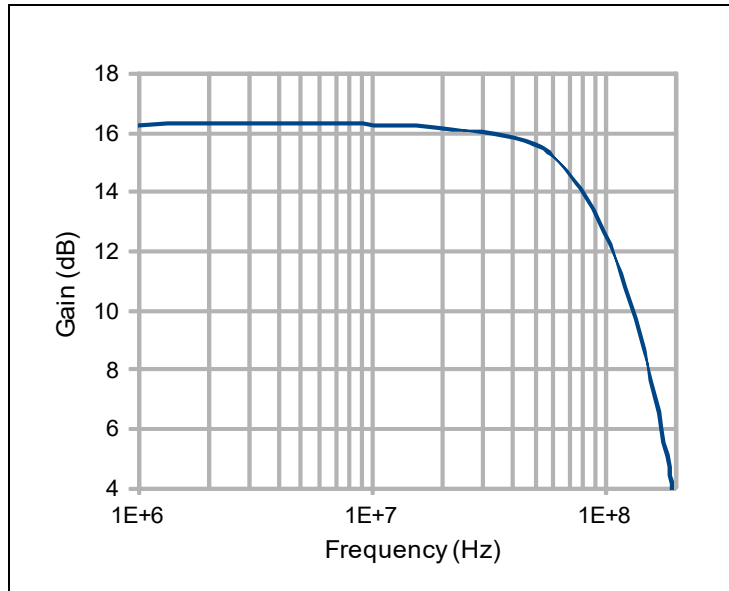


Figure 4 - Differential Gain

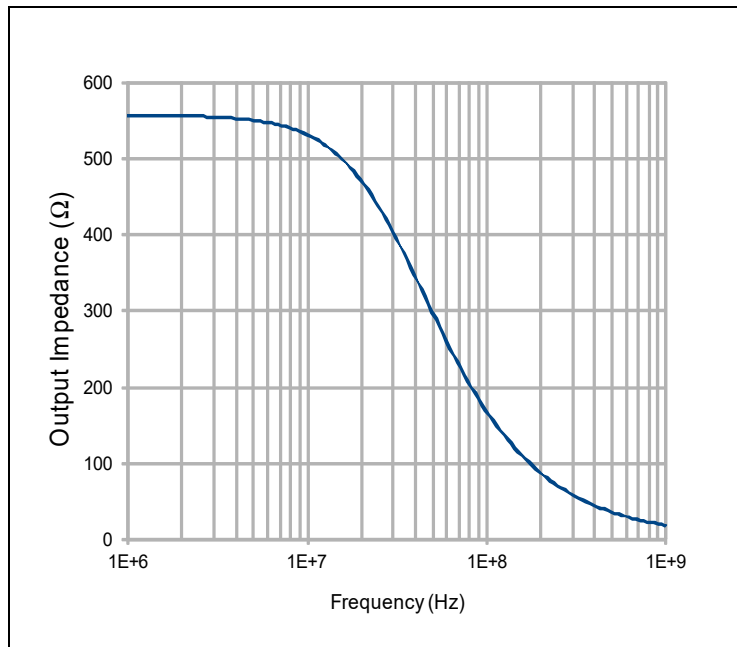


Figure 5 - Disabled Output Impedance

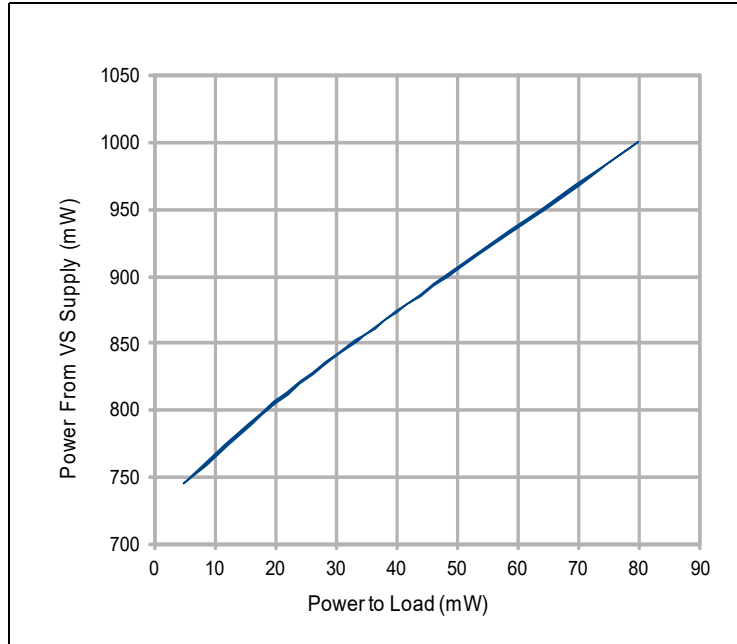


Figure 6 - Supply Power Versus Load Power

Applications

The Le87501 integrates a high-power line driver amplifier designed for low distortion for signals up to 86 MHz.

A typical application interface circuit is shown in [Figure 7](#).

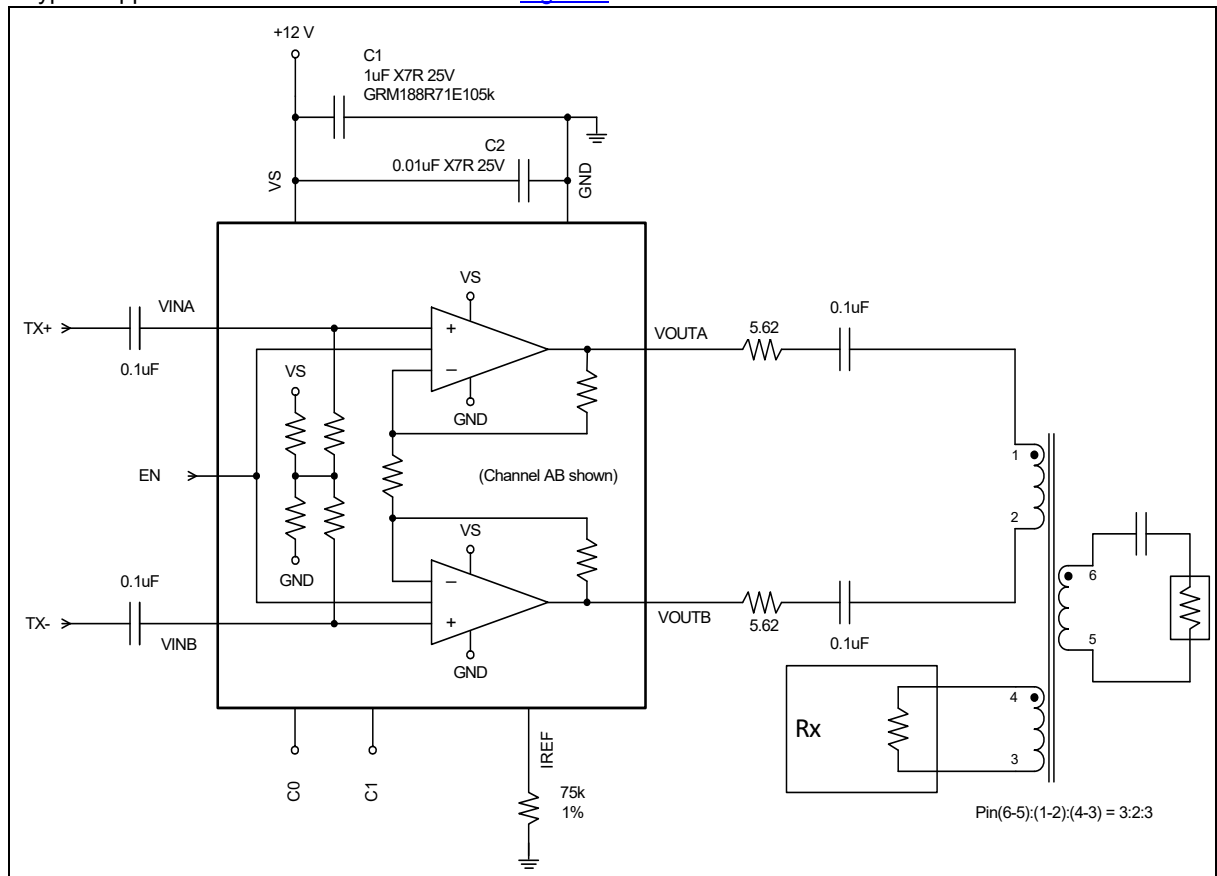


Figure 7 - Typical Application Circuit

The amplifiers have identical positive gain connections with common-mode rejection. Any DC input errors are duplicated and create common-mode rather than differential line errors.

Input Considerations

The driving source impedance should be less than 100 nH to avoid any ringing or oscillation.

Output Driving Considerations

The internal metallization is designed to drive 200 mA_{RMS} sinusoidal current and there is no current limit mechanism. Driving lines without a series resistor is not recommended.

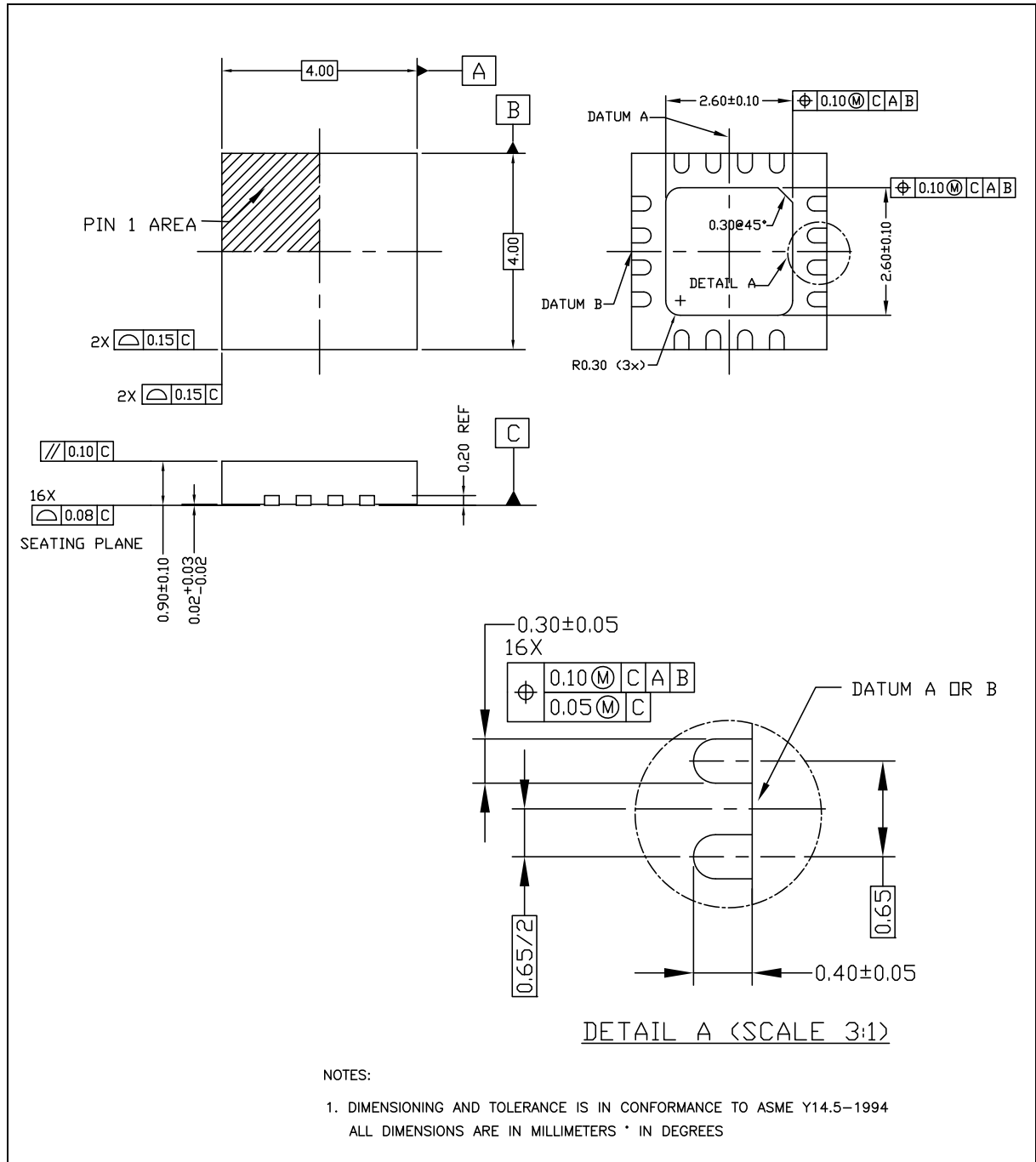
If a DC current path exists between the two outputs, a DC current can flow through the outputs. To avoid DC current flow, the most effective solution is to place DC blocking capacitors in series with the output as shown in [Figure 7](#).

Power Supplies and Component Placement

The power supply should be well bypassed with decoupling placed close to the Le87501.

Physical Dimensions

16-Pin QFN



Note:

Packages may have mold tooling markings on the surface. These markings have no impact on the form, fit or function of the device. Markings will vary with the mold tool used in manufacturing.

Information relating to products and services furnished herein by Microsemi Corporation or its subsidiaries (collectively "Microsemi") is believed to be reliable. However, Microsemi assumes no liability for errors that may appear in this publication, or for liability otherwise arising from the application or use of any such information, product or service or for any infringement of patents or other intellectual property rights owned by third parties which may result from such application or use. Neither the supply of such information or purchase of product or service conveys any license, either express or implied, under patents or other intellectual property rights owned by Microsemi or licensed from third parties by Microsemi, whatsoever. Purchasers of products are also hereby notified that the use of product in certain ways or in combination with Microsemi, or non-Microsemi furnished goods or services may infringe patents or other intellectual property rights owned by Microsemi.

This publication is issued to provide information only and (unless agreed by Microsemi in writing) may not be used, applied or reproduced for any purpose nor form part of any order or contract nor to be regarded as a representation relating to the products or services concerned. The products, their specifications, services and other information appearing in this publication are subject to change by Microsemi without notice. No warranty or guarantee express or implied is made regarding the capability, performance or suitability of any product or service. Information concerning possible methods of use is provided as a guide only and does not constitute any guarantee that such methods of use will be satisfactory in a specific piece of equipment. It is the user's responsibility to fully determine the performance and suitability of any equipment using such information and to ensure that any publication or data used is up to date and has not been superseded. Manufacturing does not necessarily include testing of all functions or parameters. These products are not suitable for use in any medical and other products whose failure to perform may result in significant injury or death to the user. All products and materials are sold and services provided subject to Microsemi's conditions of sale which are available on request.

**For more information about all Microsemi products
visit our website at
www.microsemi.com**

TECHNICAL DOCUMENTATION – NOT FOR RESALE



Microsemi Corporate Headquarters
One Enterprise, Aliso Viejo CA 92656 USA
Within the USA: +1 (949) 380-6100
Sales: +1 (949) 380-6136

Microsemi Corporation (NASDAQ: MSCC) offers a comprehensive portfolio of semiconductor solutions for: aerospace, defense and security; enterprise and communications; and industrial and alternative energy markets. Products include mixed-signal ICs, SoCs, and ASICs; programmable logic solutions; power management products; timing and voice processing devices; RF solutions; discrete components; and systems. Microsemi is headquartered in Aliso Viejo, Calif. Learn more at www.microsemi.com.

© 2018 Microsemi Corporation. All rights reserved. Microsemi and the Microsemi logo are trademarks of Microsemi Corporation. All other trademarks and service marks are the property of their respective owners.